

www.noblelift.com

# NOBLELIFT

## Stand-on Man-down Turret Truck

### VDE-160

Rated Load: 1600kg

Lifting height: 6250-9250 mm



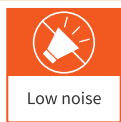
High Performance



Robust Design



High-performance battery



Low noise



Easy Maintenance



Highly Cost Effective



Efficient Operation

Why choose between price and quality **WHEN YOU CAN HAVE BOTH!**

## Product Highlights

- ▶ AC all-electric power system.
- ▶ Paddle shifter control.
- ▶ EPS electronic steering system.
- ▶ Electronic multi-way valve.
- ▶ Multi-function instrument panel displays parking brake, driving direction, hour meter, driving speed, fault codes, etc.
- ▶ Large-capacity battery.
- ▶ 1.7-meter aisle width.
- ▶ Four-point chassis with anti-rollover stabilization mechanism.
- ▶ German ZF gearbox.
- ▶ Electric lateral and rotary movement control.
- ▶ One-button centering.
- ▶ Side-pull battery.

## Ultimate Storage: Ultra-narrow aisle, ultra-high-density storage

The VDE-160 series forklift is a three-way Turret designed for narrow aisle applications. With a lifting height of 6.25-9.25 meters, the forklift requires no steering; it achieves stacking and retrieving of goods from both sides through 180° rotation and lateral movement of the forks.

Suitable for: medium- and high racking, dense warehouse stacking and handling in narrow aisles.



Now with AC control and electric turret head for enhanced functionality and extended operating time.

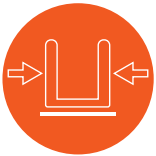


## Advanced Electric Turret Head



### Simultaneous operation of fork rotation and side shift

It achieves synchronous lateral movement and rotation of the forks, accurately adjusts the posture, shortens the alignment time, improves efficiency, and reduces labor intensity.



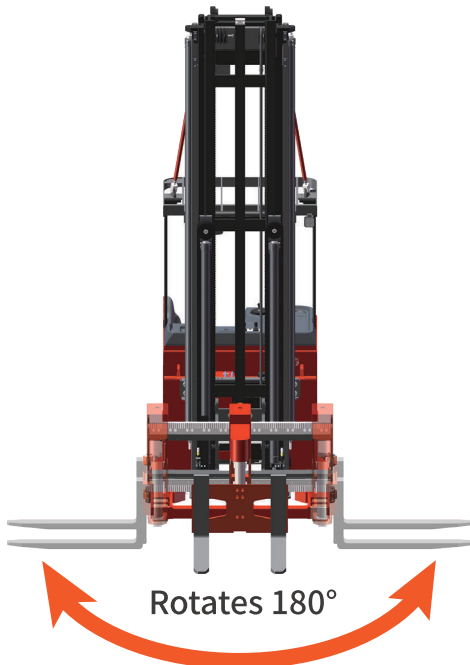
### One-click centering of forks

Leveraging sensors and algorithms, the forks can be quickly aligned, facilitating forward picking of goods, improving convenience and accuracy, and optimizing the work process.



## Offers Three-directional Loading

The VDE-160 handles loads from three directions by means of shift- and-rotate operation or withconventional forward loadingand unloading. No turning of the truck is required.

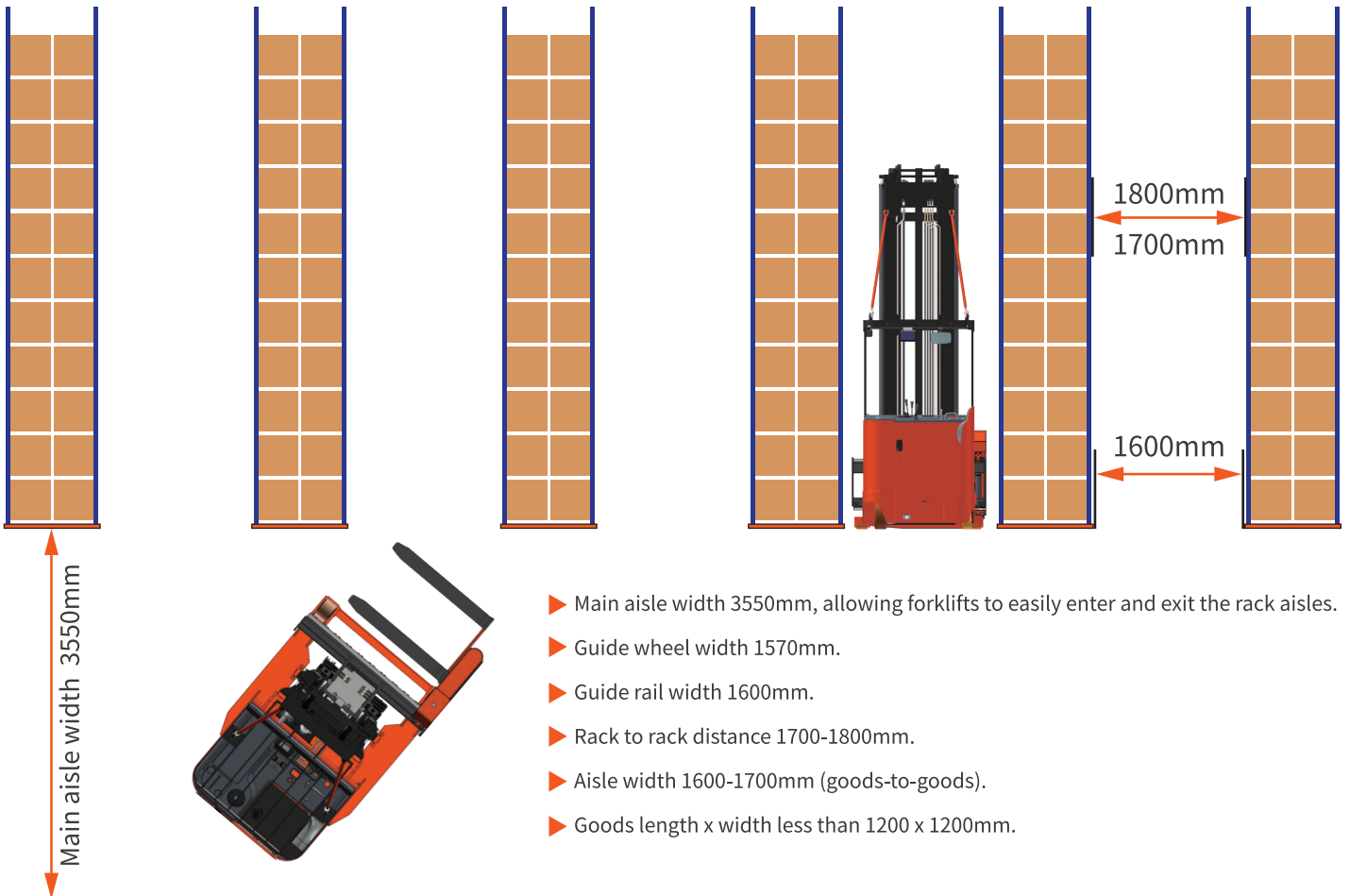


Rotates 180°



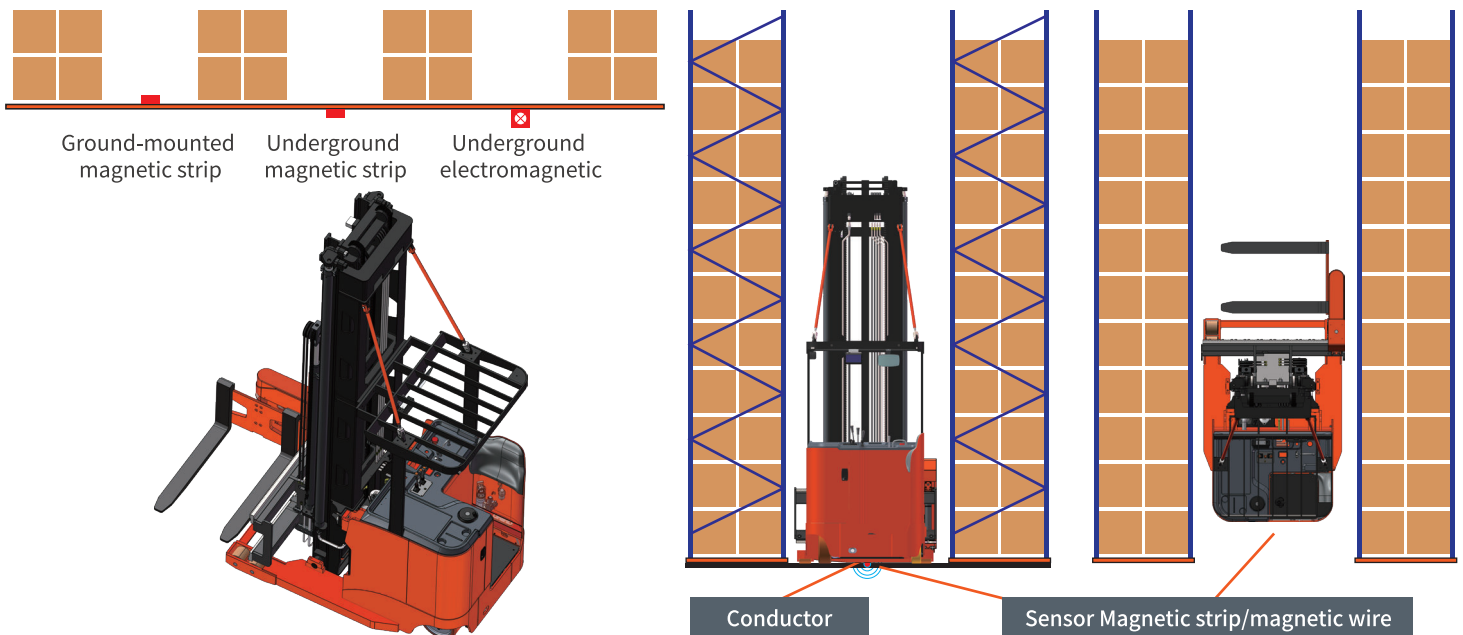
Shifts right and left.

# Rack Requirements



- ▶ Main aisle width 3550mm, allowing forklifts to easily enter and exit the rack aisles.
- ▶ Guide wheel width 1570mm.
- ▶ Guide rail width 1600mm.
- ▶ Rack to rack distance 1700-1800mm.
- ▶ Aisle width 1600-1700mm (goods-to-goods).
- ▶ Goods length x width less than 1200 x 1200mm.

# Magnetic strip/wire navigation (optional)



# Intelligent, safe, and reliable



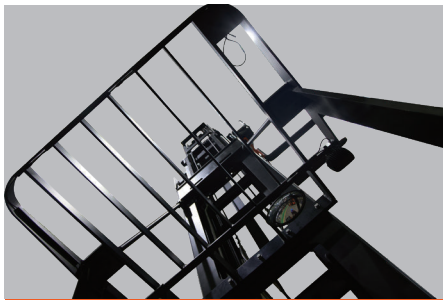
Multi-function color LCD instrument panel



Centralized center console



Hydraulic oil filler



Overhead guard



Various control systems from various brands

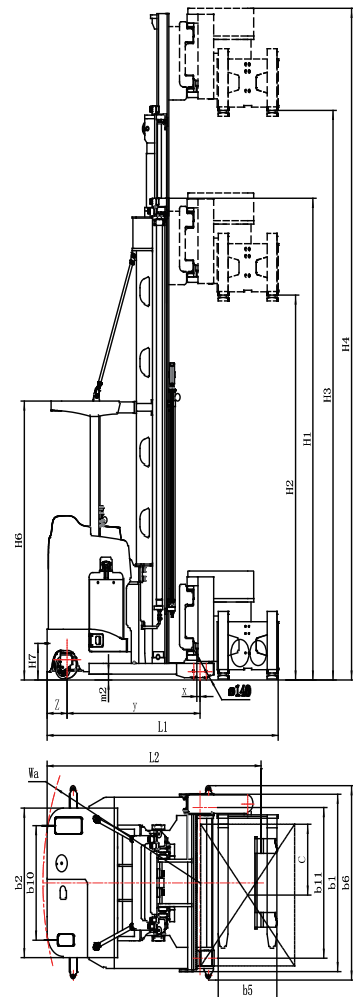


Side-pull battery

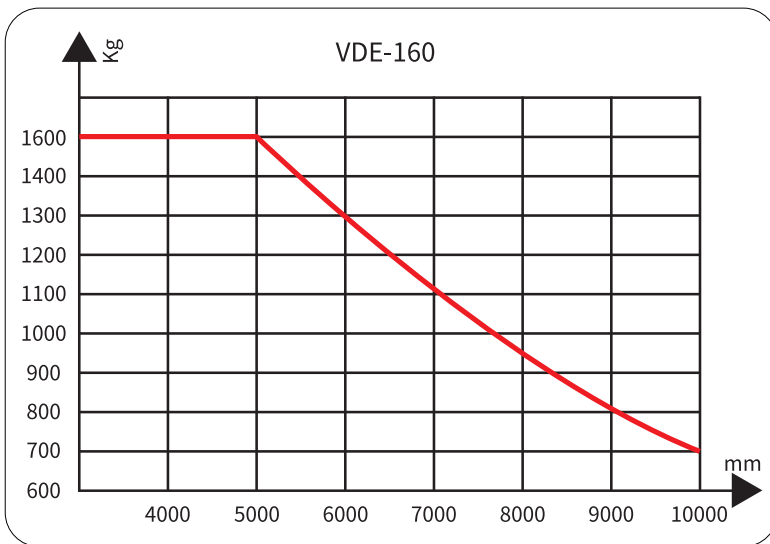
## Three-stage mast

Lift	h3(mm)	6250	6750	7750	8750	9250
Height of mast, lowered	h1(mm)	3080	3247	3580	3914	4080
Free lif	h2(mm)	2250	2418	2752	3084	3250
Height of mast, extended	h4(mm)	7115	7615	8615	9615	10115

## Structural Diagram



## Load curve graph



Dentification	1.1	Manufacturer (abbreviation)		NOBLELIFT
	1.2	Manufacturer' s type designation		VDE-160
	1.3	Drive (electric – battery or mains, diesel, petrol, fuel gas, manual)		Elektro
	1.4	Type of operation (hand, pedestrian, standing, seated, order picker)		Stand
	1.5	Load capacity / rated load	Q (kg)	1600
	1.6	Load centre distance	c (mm)	600
	1.8	Load distance, centre of drive axle to fork	x (mm)	40
	1.9	Wheelbase	y (mm)	1700
	1.10	Contre drive wheel/Counter weight	z (mm)	255
	Weights	2.1	Service weight incl. battery (see line 6.5)	kg
2.2		Axle loading, laden front / rear	kg	5670/1330
2.3		Axle loading, unladen front / rear	kg	2910/2590
Wheels	3.1	Tyres (solid rubber, superelastic, pneumatic, polyurethane)		PU
	3.2	Tyre size, front	Øxw (mm)	140x127
	3.3	Tyre size, rear	Øxw (mm)	343x140
	3.4	Tyre size, auxiliary	Øxw (mm)	205x101
	3.5	Wheels, number front / rear (x = driven wheels)		1x/4 / 2
	3.6	Track width, front	b11 (mm)	1275
	3.7	Track width, rear	b10 (mm)	970
Dimensions	4.2	Lowered mast height	h1 (mm)	4080
	4.3	Free lift	h2 (mm)	3250
	4.4	Lift height	h3 (mm)	9250
	4.5	Extended mast height	h4 (mm)	10115
	4.7	Overhead load guard (cab) height	h6 (mm)	2360
	4.8	Seat height / standing height	h7 (mm)	320
	4.19	Overall length (unladen)	l1 (mm)	2955
	4.20	Length to face of forks	l2 (mm)	2735
	4.21	Overall width	b1/b2 (mm)	1502/1266
	4.22	Fork dimensions	s/e/l (mm)	40/120/1150
	4.23	Fork carriage ISO 2328, class / type A, B		II A
	4.24	Fork carriage width	b3 (mm)	780
	4.25	Width over forks	b5 (mm)	260 - 740
	4.27	Width across guide roller	b6 (mm)	1570
	4.29	Reach, lateral	b7 (mm)	1320
	4.31	Ground clearance, laden, under mast	m1 (mm)	50
	4.32	Ground clearance, centre of wheelbase	m2 (mm)	50
	4.33	Aisle width for pallets 1200 x 800	Ast(mm)	1600
4.35	Turning radius	Wa(mm)	1950	
4.42	Pallet width	b12(mm)	1200	
4.43	Pallet length	l6(mm)	1200	
4.47	Width swivelling reach frame	b14(mm)	1502	
Performance data	5.1	Travel speed, laden / unladen	km/h	8/8
	5.2	Lift speed, laden / unladen	mm/s	320 / 360
	5.3	Lowering speed, laden / unladen	mm/s	350 / 350
	5.4	Reach speed, laden / unladen	mm/s	200 / 200
	5.10	Service brake		Electromagnetic
	5.11	Parking brake		Electromagnetic
Electric motor	6.1	Drive motor rating S2 60 min.	kW	7
	6.2	Lift motor rating at S3 15%	kW	12.5
	6.3	Battery acc. to DIN 43531 /35 / 36 A, B, C, no		5PZS450
	6.4	Battery voltage, nominal capacity K5	V/Ah	48/450
	6.5	Battery weight	kg	765
Other	8.1	Type of drive control		AC
	8.4	Sound level at driver' s ear according to EN 12 053 dB (A)	dB(A)	70

# A GLOBAL LEADER

## NOBLELIFT CHINA

Address: 528 Changzhou Road, Taihu  
Sub-district, Changxing, Zhejiang 313100 China  
Tel: 86-572-6210817 6210311  
Fax: 86-572-6210777 6128612  
Email: info@noblelift.com  
Http: www.noblelift.com www.noblelift.cn

## NOBLELIFT NORTH AMERICA

Address: 2461 S Wolf Road Des Plaines, IL 60018  
Tel: 001-847-595-7100  
Fax: 001-847-595-7200  
Email: sales@nobleliftna.com  
Http: www.nobleliftna.com

## NOBLELIFT SOUTH EAST ASIA

No. 7, Jalan Astaka U8/84A, Seksyen U8, Bukit Jelutong,  
40150 Shah Alam, Selangor Darul Ehsan, Malaysia.  
Tel: +603 7831 8555  
Email: sales@nobleliftsea.com  
https: www.nobleliftsea.com

## NOBLELIFT SOUTH EAST ASIA (Vietnam) CO., LTD.

Address: 3rd floor, No. 107, Street 37, Van Phuc  
Residential Area, Hiep Binh Phuoc Ward, Thu  
Duc City, Ho Chi Minh City, Vietnam  
Tel: 84-902 598 460  
E-mail: marketingvn@nobleliftsea.com  
www.nobleliftsea.com.vn

## NOBLELIFT RUSSIA

ООО «Ноблелифт Рус», 195067, Санкт-Петербург  
пр. Маршала Блюхера, д. 78, литер Б  
Тел.: +7-800-700-28-97  
Email: sales@noblelift.com.ru  
Http: www.noblelift.com.ru

## NOBLELIFT EUROPE

Industriepark 2, 48739 Legden, Germany  
Tel: +49 2566 90902-0  
Email: Mail@Noblelift-Germany.com  
Http: www.Noblelift.com

## NOBLELIFT KOREA CO., LTD.

Address: 715-9 Jubook-ri, Cheoin-gu, Yongin-si,  
Kyunggi-do, Korea  
Tel: 82-031 334 1828  
E-mail: info@noblelift.com  
www.noblelift.com

## NOBLELIFT CANADA INC.

Address: 850, Ellingham Avenue, Pointe-Claire, province  
of Québec, Canada, H9R 3S4  
Tel: 1- 514 697 0117  
E-mail: info@nobleliftca.com  
www.nobleliftcanada.com

## NOBLELIFT INTELLIGENT EQUIPMENT CO., LTD.



Official website



Our Wechat



LinkedIn



facebook



YouTube

