

# FE3D C-SERIES

3-Wheel Li-ion Electric Forklift

# NEW ARRIVAL



# FE3D16-20 C-Series

## Electric Counterbalance Forklift

### POWERHOUSE PERFORMANCE

Our cutting-edge transmission system employs dual gearboxes and twin motors, allowing for a top speed of 15 km/h and an impressive 20% maximum incline capacity when fully loaded. With a high-power oil pump motor and a low-noise gear pump, the lifting speed has seen a significant boost, reaching 450mm/s even when empty.

### SLEEK DESIGN

Inspired by the classic *N-Series* three wheel appearance, C range features strong, smooth lines for a compact, stylish and robust look.

### ADVANCE LCD DISPLAY

The operator can select different performance modes on LCD to meet different applications. The easy-to-read LCD color display provides information about speed, steer angle & travel direction, battery discharge indicator, hour meter & working mode, which allows the operator to operate easily and efficiently.

### GREAT COMFORT AND ERGONOMIC DESIGN FOR EASY AND COMFORTABLE OPERATION

Adjustable for operator weight, lumbar support and position, the full-suspension seat includes an ergonomic operator restraint system which helps support the operator during operation.

The key electric components such as controllers, displays, main contactors are all well-known brands in the industry to ensure the best performance and reliability.

Small diameter steering wheel with a spinner knob and on-demand Fully Hydrostatic Power Steering (FHPS) ensures effortless steering of the forklift during operation. Spacious step area with anti-slip design and a large hand grip for easy entry and exit.

Comfort Package including Rear Grab Bar with horn +Left & Right Rearview Mirrors +USB Connector +Deluxe Grab Bar +Deluxe Full Suspension Seat operation to make the job easier.



### DURABILITY & FLEXIBILITY

Thanks to its high-strength chassis, our forklift adapts seamlessly to various work conditions. With a compact body, small turning radius, and a width of just 1080mm (42.5"), it excels in navigating confined spaces.

# BATTERY OPTIONS

Choose between lead-acid and lithium batteries to meet diverse customer requirements with multiple available specifications.



## SAFETY & RELIABILITY

With IPX4-rated sealed covering parts, our forklift ensures safety in all weather conditions. Standard features include automatic speed reduction during turns and the OPS safety system, reducing rollover risk and enhancing overall safety.

### FE3D16-20 C-SERIES ELECTRIC COUNTERBALANCE FORKLIFT

#### IDENTIFICATION

1.1	Manufacturer(abbreviation)		Nobelift		
1.2	Manufacturer's type designation		FE3D16C	FE3D18C	FE3D20C
1.3	Drive: electric (battery or mains), diesel, patro gas, manual		electric	electric	electric
1.4	Type of operation (hand, peditrian, standing, seated, order picker)		seated	seated	seated
1.5	Load capacity / rated load	Q(kg)	1600	1800	2000
1.6	Load centre distance	c(mm)	500	500	500
1.8	Load distance, centre of drive axle to fork	x(mm)	372	377	377
1.9	Wheel base	y(mm)	1360	1360	1490

#### WEIGHTS

2.1	Service weight including battery (see line 6.5)	kg	3100	3220	3520
2.2	Axle loading, laden front/rear	kg	4180/520	4470/550	4910/610
2.3	Axle loading, unladen front/rear	kg	1490/1610	1550/1670	1700/1820

#### WHEELS, CHASIS

3.1	Type: solid rubber, super elastic, pneumatic, polyurethane		Solid rubber	Solid rubber	Solid rubber
3.2	Tyres size, front		18x7x12-1/8	18x7x12-1/8	18x7x12-1/8
3.3	Tyres size, rear		15x5x11-1/4	15x5x11-1/4	15x5x11-1/4
3.5	Wheels, number front/rear(x=driven wheels)		2x/2	2x/2	2x/2
3.6	Track width, front	b10(mm)	902	902	902
3.7	Track width, rear	b11(mm)	187	187	187

#### BASIC DIMENSIONS

4.1	Mast/fork carriage tilt forward/backward	$\alpha/\beta(^{\circ})$	5/7	5/7	5/7
4.2	Lowered mast height	h1(mm)	1995	1995	1995
4.3	Free lift	h2(mm)	125	125	125
4.4	Lift height	h3(mm)	3000	3000	3000
4.5	Extended mast height	h4(mm)	3955	3955	3955
4.7	Overhead load guard height	h6(mm)	2100	2100	2100
4.8	Seat height/standing height	h7(mm)	1005	1005	1005

4.12	Coupling height	h10(mm)	465	465	465
4.19	Overall length	l1(mm)	2870	3025	3155
4.20	Length to face of forks	l2(mm)	1950	1955	2085
4.21	Overall width	b1(mm)	1084	1084	1084
4.22	Fork dimensions	s/e/l(mm)	35/100/920	40/100/1070	40/100/1070
4.24	Fork carriage width	b3(mm)	1040	1040	1040
4.31	Ground clearance, laden, under mast	m1(mm)	105	105	105
4.32	Ground clearance, centre of wheel base	m2(mm)	105	105	105
4.33	Aisle width for pallets 1000x1200 crossways	Ast(mm)	3268	3273	3403
4.34	Aisle width for pallets 800x1200 lengthways	Ast(mm)	3393	3397	3527
4.35	Turning radius	Wa(mm)	1570	1570	1700

#### PERFORMANCE DATA

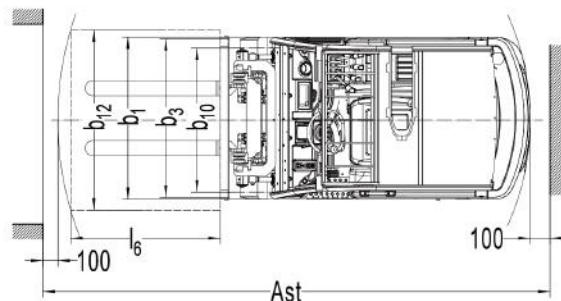
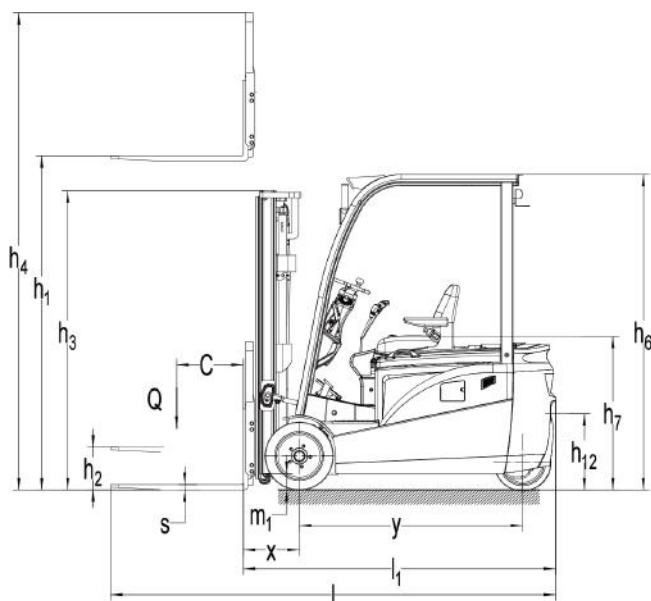
5.1	Travel speed, laden/unladen	km/h	14/15	14/15	13/15
5.2	Lift speed, laden/unladen	m/s	0.32/0.42	0.30/0.42	0.30/0.42
5.3	Lowering speed, laden/unladen	m/s	<600	<600	<600
5.5	Max. drawbar pull, laden/unladen	N	8500/7800	8500/7800	8800/8000
5.7	Max. gradient performance, laden/unladen S2 5 min.	%	15/20	15/20	13/18
5.10	Service brake		hydraulic	hydraulic	hydraulic

#### E-MOTOR

6.1	Drive motor rating S2 60 min.	kW	4.5*2	4.5*2	4.5*2
6.2	Lift motor rating at S3 15%	kW	8.6	8.6	8.6
6.3	Battery standard		Lead-acid/Li-ion	Lead-acid/Li-ion	Lead-acid/Li-ion
6.4	Battery voltage, nominal capacity K5	V/Ah	Lead-acid:48/455(490/560) option Li-ion:51.277(412/554) option	Lead-acid:48/455(490/560) option Li-ion:51.277(412/554) option	Lead-acid:48/455(490/560) option Li-ion:51.277(412/554) option
6.5	Battery weight	kg	Lead-acid: 800/ Li-ion: 450	Lead-acid: 800/ Li-ion: 450	Lead-acid: 800/ Li-ion: 450
	Battery dimensions l/w/h	mm	980/538/670	980/538/670	980/538/670

#### OTHER DETAILS

8.1	Type of drive control		AC	AC	AC
8.2	Operating pressure for attachments	MPa	17.5	17.5	17.5
8.3	Oil volume for attachments	l/min	36	36	36
8.4	sound level at driver's ear according to EN 12 053	dB(A)	73	73	73





**MAST TABLE FE3D16-20C**

Designation	Lift height	free lift	Closed mast height	Extended mast height	Tilt forward/backward	Capacity table (kg) C=500mm without sideshift, single pneumatic tyres		
	h3 (mm)	h2 (mm)	h1 (mm)	h4 (mm)	$\alpha/\beta(^{\circ})$	FE3D16C	FE3D18C	FE3D20C
Two-stage STD	2500	125	1745	3455	5/7	1600	1800	2000
	2700	125	1845	3655	5/7	1600	1800	2000
	3000	125	1995	3955	5/7	1600	1800	2000
	3300	125	2145	4255	5/7	1600	1800	2000
	3500	125	2245	4455	5/7	1600	1800	2000
	3700	125	2345	4655	5/7	1600	1800	2000
	4000	125	2545	4955	3/5	1500	1800	2000
	4300	125	2695	5255	3/5	1450	1700	1900
	4500	125	2795	5455	3/5	1400	1600	1800
Two-stage FL	2500	790	1745	3455	5/7	1600	1800	2000
	2700	890	1845	3655	5/7	1600	1800	2000
	3000	1040	1995	3955	5/7	1600	1800	2000
	3300	1190	2145	4255	5/7	1600	1800	2000
	3500	1290	2245	4455	5/7	1600	1800	2000
	3700	1390	2345	4655	5/7	1600	1800	2000
	4000	1590	2545	4955	3/5	1500	1750	1900
Three-stage FFL	4000	985	1940	4955	3/5	1500	1750	1900
	4350	1110	2065	5305	3/5	1450	1700	1850
	4500	1160	2115	5455	3/5	1400	1600	1800
	4799	1200	2155	5755	3/5	1300	1500	1600
	5000	1360	2315	5955	3/5	1200	1450	1500
	5500	1510	2465	6455	3/5	1100	1200	1300
	6000	1710	2665	6955	3/5	800	900	1000
	6500	1910	2865	7455	3/5	500	650	750

# NOBLELIFT

CANADA  INC.

 850 RUE ELLINGHAM, POINTE-CLAIRE  
QUEBEC H9R 3S4

 (514) 697-0117

 INFO@NOBLELIFTCA.COM

 WWW.NOBLELIFTCANADA.COM

