

**NOBLELIFT**  
CANADA  INC.

WE PROMISE | WE DELIVER

 ISO9001 / ISO14001  
CE Certificate

# RT15DP RT15/20SP

STAND-ON SCISSORREACH  
TRUCK

# NEW ARRIVAL

**RT15DP**  
Double Reach

**RT15/20SP**  
Single Reach

514-697-0117  
[www.nobleliftcanada.com](http://www.nobleliftcanada.com)



# RT15DP/RT15/20SP *Stand-on Scissor Reach Truck*

## SUPERIOR EFFICIENCY

- Effortless 360° in situ steering in confined space is available thanks to small turning radius.
- Compact chassis allows easy access to narrow aisle applications.
- Small and short load wheels facilitate access to multiple mast height configurations between racks, making it easy to use in warehouse and racks of different sizes.
- Versatile battery capacities for various travel distances and running times.
- Optional driving modes for versatile scenarios.
- Enhance efficiency with swift lifting and travelling.

## SAFETY AND RELIABILITY

- Automatic deceleration when cornering prevents accidents.
- Adaptive safety-load sensing system adjusts lifting height based on load capacity.
- Dual foot pedals for high efficiency and safety.
- Automatic fork leveling functions, safe and efficient.
- Fully proportional hydraulic control for precision and durability.
- The cab's full wraparound design ensures driver safety.

## QUICK AND EASY MAINTENANCE

- The integrated battery is conveniently located in the middle of chassis, facilitating easy removal, inspection or replacement.
- The chassis door is easily accessible for viewing internal issues, inspections and replacements.
- All components are methodically arranged, ensuring effortless part identification during service checks.





## HIGH-PERFORMANCE SCISSOR STRUCTURE

- The scissor structure is highly robust and stable, enabling a smooth reaching of the forks while minimizing vibrations and rocking.
- The conversion between movements is seamlessly achieved through the equilibrium of shear force, delivering substantial torque. When raised to a height of 10.5 meters, it can effortlessly lift loads of up to 1.2 tons.
- The scissor mechanism seamlessly adjusts and neatly folds, significantly minimizing the truck's footprint and maximizing space utilization.

## ERGONOMIC DESIGN

- Enhanced mast structure design and optimized cylinder and chain arrangement for a better view.
- Spacious standing platform accommodating various personnel.
- Convenient standing platform height for easy boarding.
- Comfortable waist and elbow support to alleviate driver fatigue.
- Integrated shock absorption on the standing platform for a smoother ride.
- Newly improved roof guard for an expanded upward view.
- Ergonomically designed multifunctional integrated handle.
- Versatile functions including warning lights, illumination, and blue lights.

## EXCELLENT STABILITY

- One-touch leveling function ensures stable loading and unloading of good from the shelves.
- The end-of-scissor retraction includes cushioning for reduce impact and improved stability.



# TYPE SHEET FOR INDUSTRIAL TRUCK ACC. TO VDI 2198

## IDENTIFICATION

1.1	Manufacturer			NOBLELIFT		
1.2	Model			RT15DP	RT15SP	RT20SP
1.3	Power			electric	electric	electric
1.4	Operator type			Stand	Stand	Stand
1.5	Load capacity		Q(kg)	1500	1500	2000
1.6	Load centre		c(mm)	600	600	600
1.8	Load distance		x(mm)	213/847	305/265	305/265
1.9	Wheelbase		y(mm)	See table 2	See table 10	See table 18

## WEIGHT

2.1	Weight	Less battery	kg	See table 4	See table 12	See table 20
-----	--------	--------------	----	-------------	--------------	--------------

## TYRES

3.2	Tyres	Power unit side, drive	mm	Ø343x140	Ø343x140	Ø343x140
3.3	Tyres	Load side, standard wheel	mm	Ø127x74	Ø127x74	Ø127x74
3.4	Castro wheel	Size	mm	Ø205x101	Ø205x101	Ø205x101
3.5	Wheels, (x=driven wheels)	Number power unit side/ load side		1x,4/1	1x,4/1	1x,4/1
3.6	Track width	Power unit side	b10(mm)	800	800	800

## DIMENSIONS

4.1	Tilt: Fork carriage	Forward/backward	angle(deg)	3/4	3/4	3/4
4.2	Mast	Collapsed height	h1(mm)	See table 1	See table 9	See table 17
4.3	Free lift		h2(mm)	See table 1	See table 9	See table 17
4.4	Lift height		h3(mm)	See table 1	See table 9	See table 17
4.5	Extended mast height		h4(mm)	See table 1	See table 9	See table 17
4.7	Overhead guard height	Overhead guard (cabin)	h6(mm)	See table 1	See table 9	See table 17
4.10	Outrigger height	std. wheel /Ø102/Ø127/Ø152	h8(mm)	125	125	125
4.20	Headlength		12(mm)	See table 2	See table 2	See table 2
4.21	Width overall	Power unit side	b1(mm)	1080	1080	1080
4.22	Fork dimensions	Standard / optional lengths	TxWxL(mm)	40x100x1070	40x100x1070	40x120x1070
4.23	Fork carriage	DIN 15173 class/form A,B		2A	2A	2A
4.24	Fork carriage width	incl. load backrest	b3(mm)	820	820	820
4.25	Width across forks	With sideshifter/w.o sideshifter	b5(mm)	200-760	200-760	240-760
4.26	Inside straddle	In 25mm increments	b4(mm)	1050/1270	1050/1270	1050/1270
4.28	Reach	With sideshifter/w.o sideshifter	l4(mm)	1060	590	590
4.32	Ground clearance	Centre wheelbase	m2(mm)	50	50	50
4.33	Working aisle width	1000x1200 crosswise	Ast(mm)	See table 2	See table 10	See table 18
4.34	Working aisle width	800x1200 lengthwise	Ast(mm)	See table 2	See table 10	See table 18
4.35	Turning radius		Wa(mm)	See table 2	See table 10	See table 18
4.37	Length over outriggers		l7(mm)	See table 2	See table 10	See table 18
4.39	Width outrigger		b2(mm)	1295	1295	1295

## PERFORMANCE DATA

5.1	Travel-speed standard		km/h	9/9.5	9/9.5	9/9.5
5.2	Lift speed	w./w.o load	m/s	0.35/0.5	0.35/0.5	0.35/0.5
5.3	Lower speed	w./w.o load	m/s	0.50/0.50	0.50/0.50	0.50/0.50
5.4	Reach speed	w./w.o load	m/s	0.15/0.15	0.15/0.15	0.15/0.15
5.8	Max Gradeability	w.load	%	5	5	5
5.10	Breaks	Service		Electric	Electric	Electric
		Parking		Electric	Electric	Electric

## MOTORS

6.1	Traction Motor	(60 min. rating)	kW	5.5	5.5	5.5
6.2	Lift motors	(15% on time)	kW	11	11	11
6.3	Max. battery size	DIN 43531/35/36 A, B, C, no	lxwxh(mm)	See table 2	See table 10	See table 18
6.4	Battery capacity	Nominal capacity 5h	V/Ah	See table 2	See table 10	See table 18
6.5	Battery weight	Minimum	kg	See table 2	See table 10	See table 18
	Battery selection number	A,B,C,D,E		See table 2	See table 10	See table 18

8.1	Type of controller			AC	AC	AC
-----	--------------------	--	--	----	----	----

## TYPE SHEET FOR INDUSTRIAL TRUCK ACC. TO VDI 2198

### IDENTIFICATION

1.1	Manufacturer			NOBLELIFT		
1.2	Model			RT15DP	RT15SP	RT20SP
1.3	Power			electric	electric	electric
1.4	Operator type			Stand	Stand	Stand
1.5	Load capacity		Q(lb)	3307	3307	4409
1.6	Load centre		c(in)	23.6	23.6	23.6
1.8	Load distance		x(in)	8.4/33.3	12/10.4	12/10.4
1.9	Wheelbase		y(in)	See table 6	See table 14	See table 22

### WEIGHT

2.1	Weight	Less battery	lb	See table 8	See table 16	See table 24
-----	--------	--------------	----	-------------	--------------	--------------

### TYRES

3.2	Tyres	Power unit side, drive	in	Ø13.5x5.5	Ø13.5x5.5	Ø13.5x5.5
3.3	Tyres	Load side, standard wheel	in	Ø5x2.9	Ø5x2.9	Ø5x2.9
3.4	Castro wheel	Size	in	Ø8x4	Ø8x4	Ø8x4
3.5	Wheels, (x=driven wheels)	Number power unit side/ load side		1x,4/1	1x,4/1	1x,4/1
3.6	Track width	Power unit side	b10(in)	31.5	31.5	31.5

### DIMENSIONS

4.1	Tilt: Fork carriage	Forward/backward	angle(deg)	3/4	3/4	3/4
4.2	Mast	Collapsed height	h1(in)	See table 5	See table 13	See table 21
4.3	Free lift		h2(in)	See table 5	See table 13	See table 21
4.4	Lift height		h3(in)	See table 5	See table 13	See table 21
4.5	Extended mast height		h4(in)	See table 5	See table 13	See table 21
4.7	Overhead guide height	Overhead guard cabin	h6(in)	See table 5	See table 13	See table 21



# RT15DP Double Reach

**RT15DP SPEC (Table1)**

Type		DP4500	DP4920	DP6500	DP7500	DP8500	DP9500	DP10500
4.2 Mast	h1(mm)	2260	2415	2940	3274	3606	3940	4274
4.3 Free Lift	h2(mm)	1340	1495	2020	2354	2686	3020	3354
4.4 Lift height	h3(mm)	4500	4920	6500	7500	8500	9500	10500
4.5 Mast	h4(mm)	5420	5840	7420	8420	9420	10420	11420
4.7 Height	h6(mm)	2260	2415	2415	2415	2415	2415	2415

**RT15DP SPEC (Table2)**

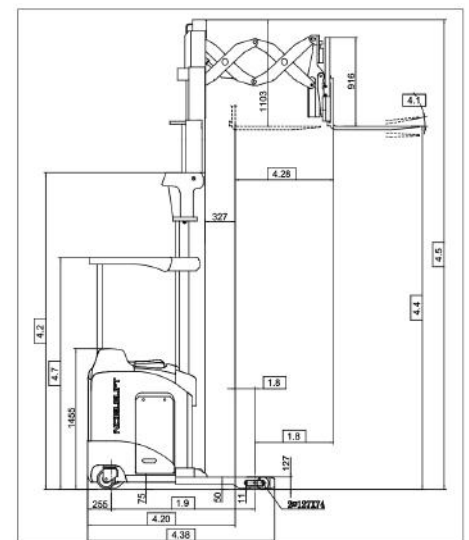
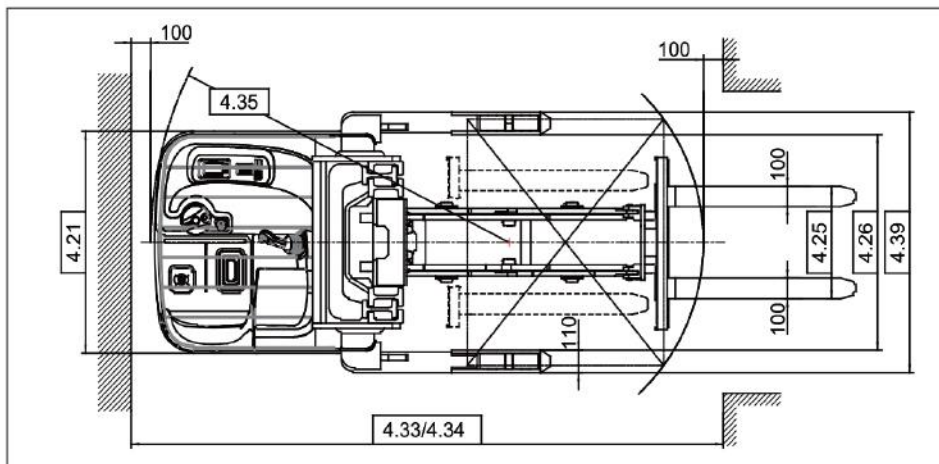
Type		B	C	D	E
1.9 Wheel base	y(mm)	1550	1550	1600	1650
4.20 Headlength	12(mm)	1590	1590	1640	1690
4.33 Working Aisle width (1000x1200) traverse	Ast(mm)	3015	3015	3065	3115
4.34 Working Aisle width (800x1200) length	Ast(kg)	3090	3090	3140	3190
4.35 Turning Radius	Wa(mm)	1825	1825	1875	1925
4.37 Length over Outriggers	L7(mm)	1985	1985	2035	2085
6.3 Max. Battery size	lxxwh(mm)	360x980x785	410x980x785	457x980x785	500x980x785
6.4 Battery Voltage	V/Ah	36V/600AH	36V/700AH	36V/800AH	36V/900AH
6.5 Battery Weight	kg	780	900	1025	1140

**RT15DP BATTERY OPTIONS (Table3)**

RT15DP	Mast Model		DP4500	DP4920	DP6500	DP7500	DP8500	DP9500	DP10500	
	Battery Pack Model	B	Truck Model	RT15DP4500B	RT15DP4920B	RT15DP6500B	n/a	n/a	n/a	n/a
		C		RT15DP4500C	RT15DP4920C	RT15DP6500C	RT15DP7500C	n/a	n/a	n/a
		D		RT15DP4500D	RT15DP4920D	RT15DP6500D	RT15DP7500D	RT15DP8500D	n/a	n/a
		E		RT15DP4500E	RT15DP4920E	RT15DP6500E	RT15DP7500E	RT15DP8500E	RT15DP9500E	RT15DP10500E

**RT15DP TRUCK WEIGHT (Table4)**

2.1	RT15DP	Mast Model		DP4500	DP4920	DP6500	DP7500	DP8500	DP9500	DP10500	
		Battery Pack Model	B	Truck Weight (kg)	3994	4050	4240	n/a	n/a	n/a	n/a
			C		4114	4170	4360	4480	n/a	n/a	n/a
			D		4249	4305	4495	4615	4735	n/a	n/a
			E		4374	4430	4620	4740	4860	4980	5100



# RT15DP Double Reach

**RT15DP SPEC (Table5)**

Type		DP4500	DP4920	DP6500	DP7500	DP8500	DP9500	DP10500
4.2 Mast	h1(in)	89	95.1	115.7	128.9	142	155.1	168.3
4.3 Free Lift	h2(in)	52.8	85.9	79.5	92.7	105.7	118.9	132
4.4 Lift height	h3(in)	177.2	193.7	255.9	295.3	334.6	374	413.4
4.5 Mast	h4(in)	213.4	229.9	292.1	331.5	370.9	410.2	449.6
4.7 Height	h6(in)	89	95.1	95.1	95.1	95.1	95.1	95.1

**RT15DP BATTERY OPTIONS (Table6)**

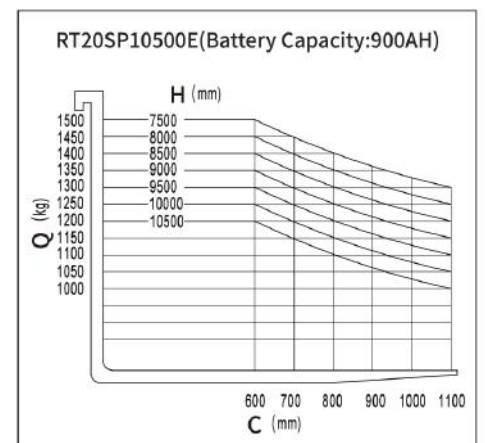
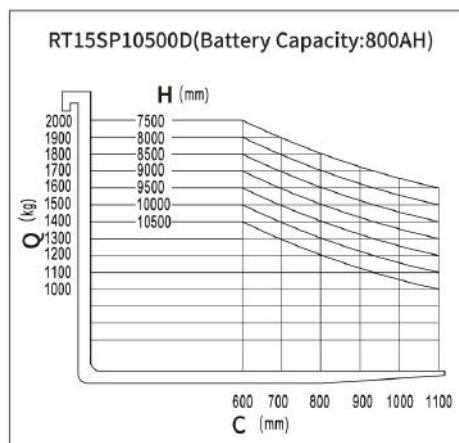
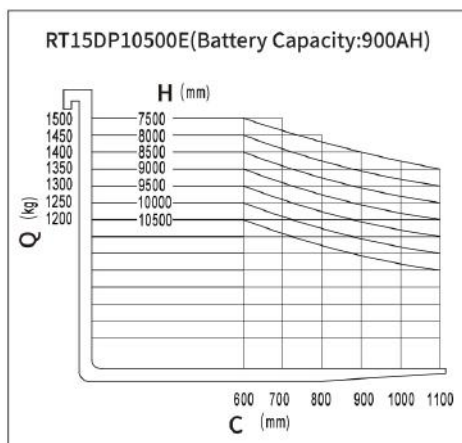
Type		B	C	D	E
1.9 Wheel base	y(in)	61	1550	1600	1650
4.20 Headlength	12(in)	62.6	1590	1640	1690
4.33 Working Aisle width (1000x1200) traverse	Ast(in)	118.7	3015	3065	3115
4.34 Working Aisle width (800x1200) length	Ast(in)	121.7	3090	3140	3190
4.35 Turning Radius	Wa(in)	71.9	1825	1875	1925
4.37 Length over Outriggers	L7(in)	78.1	1985	2035	2085
6.3 Max. Battery size	lxwxh(in)	14.2x38.6x30.9	16.1x38.6x30.9	18x38.6x30.9	19.7x38.6x30.9
6.4 Battery Voltage	V/Ah	36V/600AH	36V/700AH	36V/800AH	36V/900AH
6.5 Battery Weight	lb	1720	1984	2260	2513

**RT15DP SPEC (Table7)**

RT15DP	Mast Model			DP4500	DP4920	DP6500	DP7500	DP8500	DP9500	DP10500
	Battery Pack Model	B	Truck Model	RT15DP4500B	RT15DP4920B	RT15DP6500B	n/a	n/a	n/a	n/a
		C		RT15DP4500C	RT15DP4920C	RT15DP6500C	RT15DP7500C	n/a	n/a	n/a
		D		RT15DP4500D	RT15DP4920D	RT15DP6500D	RT15DP7500D	RT15DP8500D	n/a	n/a
		E		RT15DP4500E	RT15DP4920E	RT15DP6500E	RT15DP7500E	RT15DP8500E	RT15DP9500E	RT15DP10500E

**RT15DP TRUCK WEIGHT (Table8)**

2.1 RT15DP	Mast Model			DP4500	DP4920	DP6500	DP7500	DP8500	DP9500	DP10500
	Battery Pack Model	B	Truck Weight (lb)	8805	8929	9348	n/a	n/a	n/a	n/a
		C		9070	9193	9612	9877	n/a	n/a	n/a
		D		9367	9491	9910	10174	10439	n/a	n/a
		E		9643	9766	10185	10450	10714	10979	11244





# RT15SP Single Reach

**RT15SP SPEC (Table9)**

	Type		15SP4500	15SP4920	15SP6500	15SP7500	15SP8500	15SP9500	15SP10500
4.2	Mast	h1(mm)	2260	2415	2940	3274	3606	3940	4274
4.3	Free Lift	h2(mm)	1340	1495	2020	2354	2686	3020	3354
4.4	Lift height	h3(mm)	4500	4920	6500	7500	8500	9500	10500
4.5	Lift height	h4(mm)	5420	5840	7420	8420	9420	10420	11420
4.7	Extended Mast height	h6(mm)	2260	2415	2415	2415	2415	2415	2415

**RT15SP SPEC (Table10)**

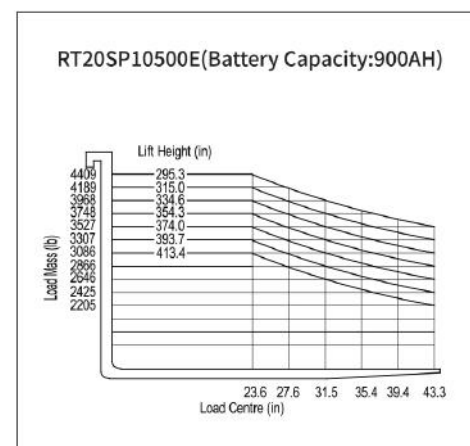
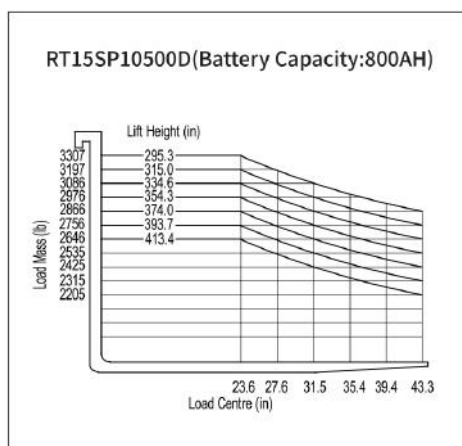
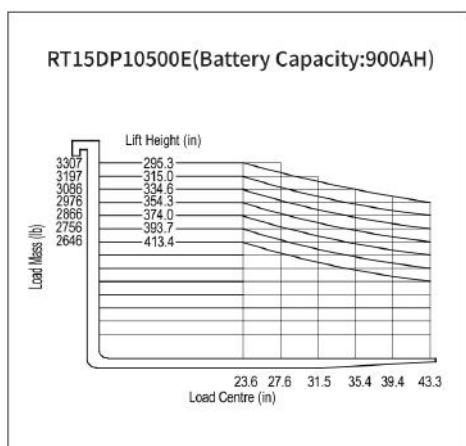
	Type		B	C	D	E
1.9	Wheel base	y(mm)	1550	1550	1600	1650
4.20	Headlength	12(mm)	1590	1590	1640	1690
4.33	Working Aisle width (1000x1200) traverse	Ast(mm)	3015	3015	3065	3115
4.34	Working Aisle width (800x1200) length	Ast(kg)	3090	3090	3140	3190
4.35	Turning Radius	Wa(mm)	1825	1825	1875	1925
4.37	Length over Outriggers	L7(mm)	1985	1985	2035	2085
6.3	Max. Battery size	lwxh(mm)	360x980x785	410x980x785	457x980x785	500x980x785
6.4	Battery Voltage	V/Ah	36V/600AH	36V/700AH	36V/800AH	36V/900AH
6.5	Battery Weight	kg	780	900	1025	1140

**RT15SP BATTERY OPTIONS (Table11)**

RT15SP	Mast Model			15SP4500	15SP4920	15SP6500	15SP7500	15SP8500	15SP9500	15SP10500
	Battery Pack Model	B	Truck Model	RT15SP4500B	RT15SP4920B	RT15SP6500B	RT15SP7500B	RT15SP8500B	n/a	n/a
		C		RT15SP4500C	RT15SP4920C	RT15SP6500C	RT15DP7500C	RT15SP8500C	RT15DP9500C	n/a
		D		RT15SP4500D	RT15SP4920D	RT15SP6500D	RT15DP7500D	RT15DP8500D	RT15DP9500D	RT15DP10500D
		E		RT15SP4500E	RT15SP4920E	RT15SP6500E	RT15DP7500E	RT15DP8500E	RT15DP9500E	RT15DP10500E

**RT15DP TRUCK WEIGHT (Table12)**

2.1	RT15SP	Mast Model			15SP4500	15SP4920	15SP6500	15SP7500	15SP8500	15SP9500	15SP10500
		Battery Pack Model	B	Truck Weight (kg)	3550	3590	3750	3850	3950	n/a	n/a
			C		3670	3710	3870	3970	4070	4180	n/a
			D		3800	3840	4000	4100	4200	4300	4400
			E		3920	3960	4120	4220	4320	4420	9965



# RT15SP Single Reach

**RT15SP SPEC (Table13)**

	Type		SP4500	SP4920	SP6500	SP7500	SP8500	SP9500	SP10500
4.2	Mast	h1(in)	89	95.1	115.7	128.9	142	155.1	168.3
4.3	Free Lift	h2(in)	52.8	58.9	79.5	92.7	105.7	118.9	132
4.4	Lift Height	h3(in)	177.2	193.7	255.9	295.3	334.6	374	413.4
4.5	Lift Height	h4(in)	213.4	229.9	292.1	331.5	370.9	410.2	449.6
4.7	Extended Mast height	h6(in)	89	95.1	95.1	95.1	95.1	95.1	95.1

**RT15SP BATTERY OPTIONS (Table14)**

	Type		B	C	D	E
1.9	Wheel base	y(in)	61	61	63	65
4.20	Headlength	12(in)	59.1	59.1	61	63
4.33	Working Aisle width (1000x1200) traverse	Ast(in)	115.9	115.9	117.9	119.9
4.34	Working Aisle width (800x1200) length	Ast(in)	118.3	118.3	120.3	122.2
4.35	Turning Radius	Wa(in)	71.9	71.9	73.8	75.8
4.37	Length over Outriggers	L7(in)	78.1	78.1	80.1	82.1
6.3	Max. Battery size	lxwxh(in)	14.2x39.6x30.9	16.1x39.6x30.9	18x39.6x30.9	19.7x38.6x30.9
6.4	Battery Voltage	V/Ah	36V/600AH	36V/700AH	36V/800AH	36V/900AH
6.5	Battery Weight	lb	1720	1984	2260	2513

**RT15SP BATTERY OPTIONS (Table15)**

RT15SP	Mast Model			15SP4500	15SP4920	15SP6500	15SP7500	15SP8500	15SP9500	15SP10500
	Battery Pack Model	B	Truck Model	RT15SP4500B	RT15SP4920B	RT15SP6500B	RT15SP7500B	RT15SP8500B	n/a	n/a
		C		RT15SP4500C	RT15SP4920C	RT15SP6500C	RT15DP7500C	RT15SP8500C	RT15DP9500C	n/a
		D		RT15SP4500D	RT15SP4920D	RT15SP6500D	RT15DP7500D	RT15DP8500D	RT15DP9500D	RT15DP10500D
		E		RT15SP4500E	RT15SP4920E	RT15SP6500E	RT15DP7500E	RT15DP8500E	RT15DP9500E	RT15DP10500E

**RT15DP TRUCK WEIGHT (Table16)**

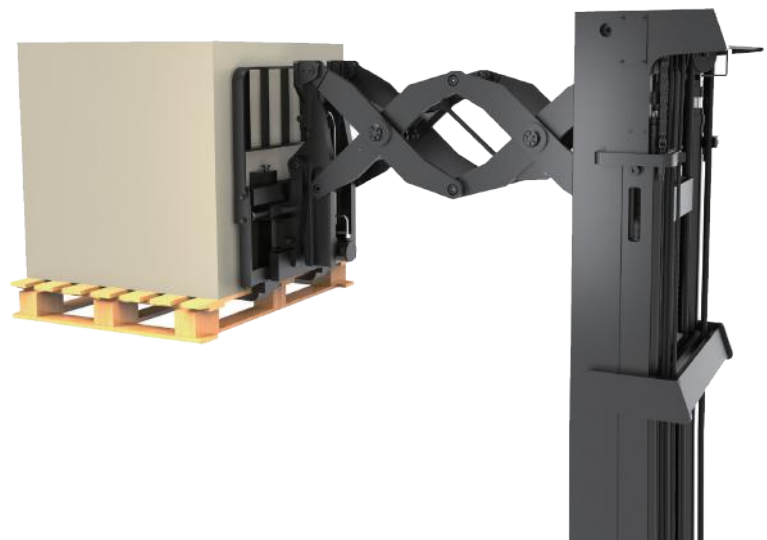
2.1	RT15SP	Mast Model			15SP4500	15SP4920	15SP6500	15SP7500	15SP8500	15SP9500	15SP10500
		Battery Pack Model	B	Truck Weight (lb)	7826	7915	8267	8488	8708	n/a	n/a
			C		8091	8179	8532	8752	8973	9215	n/a
			D		8378	8466	8818	9039	9259	9480	9700
			E		8642	8730	9083	9304	9524	9744	9965

## RT15DP (DOUBLE REACH)

Fork reaching distance 1060mm

## RT15/20SP (SINGLE REACH)

Fork reaching distance 590mm



# RT20SP Single Reach

**RT15SP SPEC (Table17)**

	Type		20SP4500	20SP4920	20SP6500	20SP7500	20SP8500	20SP9500	20SP10500
4.2	Mast	h1(mm)	2260	2415	2940	3274	3606	3940	4274
4.3	Free Lift	h2(mm)	1340	1495	2020	2354	2686	3020	3354
4.4	Lift height	h3(mm)	4500	4920	6500	7500	8500	9500	10500
4.5	Mast	h4(mm)	5420	5840	7420	8420	9420	10420	11420
4.7	Height	h6(mm)	2260	2415	2415	2415	2415	2415	2415

**RT20SP SPEC (Table18)**

	Type		B	C	D	E
1.9	Wheel base	y(mm)	1550	1550	1600	1650
4.20	Headlength	12(mm)	1590	1590	1640	1690
4.33	Working Aisle width (1000x1200) traverse	Ast(mm)	3015	3015	3065	3115
4.34	Working Aisle width (800x1200) length	Ast(kg)	3090	3090	3140	3190
4.35	Turning Radius	Wa(mm)	1825	1825	1875	1925
4.37	Length over Outriggers	L7(mm)	1985	1985	2035	2085
6.3	Max. Battery size	lxxh(mm)	360x980x785	410x980x785	457x980x785	500x980x785
6.4	Battery Voltage	V/Ah	36V/600AH	36V/700AH	36V/800AH	36V/900AH
6.5	Battery Weight	kg	780	900	1025	1140

**RT20SP BATTERY OPTIONS (Table19)**

RT20SP	Mast Model			20SP4500	20SP4920	20SP6500	20SP7500	20SP8500	20SP9500	20SP10500
	Battery Pack Model	B	Truck Model	RT20SP4500B	RT20SP4920B	RT20SP6500B	RT20SP7500B	n/a	n/a	n/a
		C		RT20SP4500C	RT20SP4920C	RT20SP6500C	RT20DP7500C	RT20SP8500C	n/a	n/a
		D		RT20SP4500D	RT20SP4920D	RT20SP6500D	RT20DP7500D	RT20DP8500D	RT20DP9500D	n/a
		E		RT20SP4500E	RT20SP4920E	RT20SP6500E	RT20DP7500E	RT20DP8500E	RT20DP9500E	RT20DP10500E

**RT20DP TRUCK WEIGHT (Table20)**

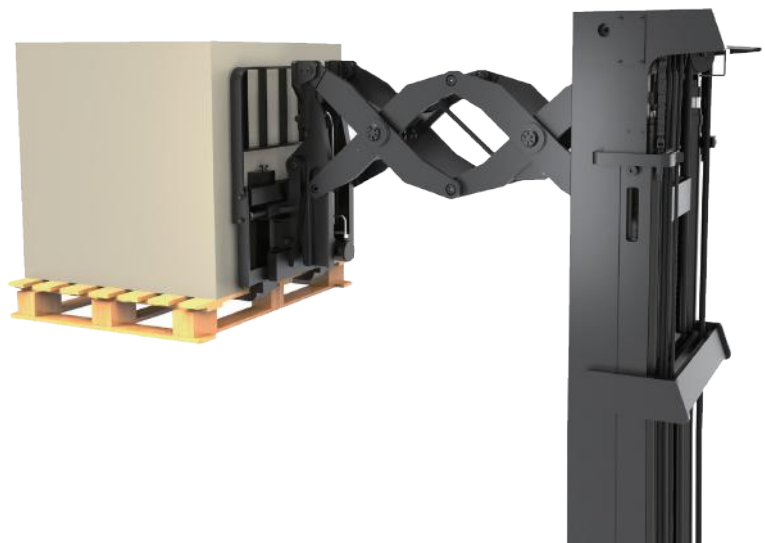
2.1	RT20SP	Mast Model			20SP4500	20SP4920	20SP6500	20SP7500	20SP8500	20SP9500	20SP10500
		Battery Pack Model	B	Truck Weight (kg)	3894	3950	4140	4260	n/a	n/a	n/a
			C		4014	4070	4260	4380	4500	n/a	n/a
			D		4149	4205	4395	4515	4635	4755	n/a
			E		4274	4330	4520	4640	4760	4880	5000

## RT15DP (DOUBLE REACH)

Fork reaching distance 41.7in

## RT15/20SP (SINGLE REACH)

Fork reaching distance 23.2in



# RT20SP Single Reach

**RT20SP SPEC (Table21)**

	Type		SP4500	SP4920	SP6500	SP7500	SP8500	SP9500	SP10500
4.2	Mast	h1(in)	89	95.1	115.7	128.9	142	155.1	168.3
4.3	Free Lift	h2(in)	52.8	58.9	79.5	92.7	105.7	118.9	132
4.4	Lift Height	h3(in)	177.2	193.7	255.9	295.3	334.6	374	413.4
4.5	Lift Height	h4(in)	213.4	229.9	292.1	331.5	370.9	410.2	449.6
4.7	Extended Mast height	h6(in)	89	95.1	95.1	95.1	95.1	95.1	95.1

**RT15SP BATTERY OPTIONS (Table22)**

	Type		B	C	D	E
1.9	Wheel base	y(in)	61	61	63	65
4.20	Headlength	12(in)	59.1	59.1	61	63
4.33	Working Aisle width (1000x1200) traverse	Ast(in)	115.9	115.9	117.9	119.9
4.34	Working Aisle width (800x1200) length	Ast(in)	118.3	118.3	120.3	122.2
4.35	Turning Radius	Wa(in)	71.9	71.9	73.8	75.8
4.37	Length over Outriggers	L7(in)	78.1	78.1	80.1	82.1
6.3	Max. Battery size	lxwxh(in)	14.2x39.6x30.9	16.1x39.6x30.9	18x39.6x30.9	19.7x38.6x30.9
6.4	Battery Voltage	V/Ah	36V/600AH	36V/700AH	36V/800AH	36V/900AH
6.5	Battery Weight	lb	1720	1984	2260	2513

**RT20SP BATTERY OPTIONS (Table23)**

RT20SP	Mast Model			20SP4500	20SP4920	20SP6500	20SP7500	20SP8500	20SP9500	20SP10500
	Battery Pack Model	B	Truck Model	RT20SP4500B	RT20SP4920B	RT20SP6500B	RT20SP7500B	n/a	n/a	n/a
		C		RT20SP4500C	RT20SP4920C	RT20SP6500C	RT20DP7500C	RT20SP8500C	n/a	n/a
		D		RT20SP4500D	RT20SP4920D	RT20SP6500D	RT20DP7500D	RT20DP8500D	RT20DP9500D	n/a
		E		RT20SP4500E	RT20SP4920E	RT20SP6500E	RT20DP7500E	RT20DP8500E	RT20DP9500E	RT20DP10500E

**RT15DP TRUCK WEIGHT (Table24)**

2.1	RT20SP	Mast Model			20SP4500	20SP4920	20SP6500	20SP7500	20SP8500	20SP9500	20SP10500
		Battery Pack Model	B	Truck Weight (lb)	8585	8708	9127	9392	n/a	n/a	n/a
			C		8849	8973	9392	9656	9921	n/a	n/a
			D		9147	9270	9689	9954	10218	10483	n/a
			E		9423	9546	9965	10229	10494	10759	11023