

**NOBLELIFT**  
CANADA  INC.

WE PROMISE | WE DELIVER



ISO9001 / ISO14001

CE Certificate

# 4WD

## COMPACT TELEHANDLER

# NEW ARRIVAL

5000-6000



-  High Efficiency
-  High Mobility
-  Cost Effective
-  Compact Design



**514-697-0117**

[www.nobleliftcanada.com](http://www.nobleliftcanada.com)

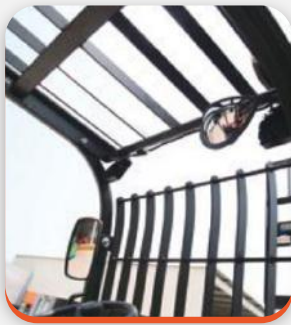
# 4WD Compact Telehandler

## Safety & Reliability

- Taking advantage of rough terrain forklift platform, it is equipped with Japanese Yanmar and Korea LS EU V & EPA stage IV diesel engine, 2WD & 4WD hydraulic transmission, power train system, which has been widely recognised by market over 10 years
- Highly-Intensity chasis & HG70 steel boom ensure longer service life
- Reliable hydraulic brand in China, and hoses connector adopts 24 degree cone
- Tri channel cooling system ensures good thermal equilibrium performance



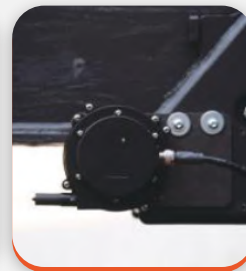
## Ergonomic



- Longer steering column, user friendly interface with optimized operation space
- Dual rear & wide angle view mirrors enhance wide visibility
- Isolated overhead guard helps to reduce vibration
- Full-closed front tilt cab available to install
- Suspension seat, hand break with self-lock

## Safety

- Excellent Self-leveling system with the carriage & forks tilt angle within +0.5° ensuring the safety of goods during lifting process
- Anti-rollover protection system improves operation safety
- OPS function as standard set
- Proportional solenoid valves allow high accuracy and safety
- Cylinder equipped with balance valve, remaining the good on forks in case hydraulic hose burst occurs



## Easy Maintenance

- Boom adopts easy-maintenance external towline pipe
- Engine hoods with large open angle, and tilt cap is easier for maintenance



## Efficiency

- Main specifications meet major EU & American brand standard to ensure high work efficiency
- Specialized rear drive axle with large steering angle and small turning radius (3250mm) allows working in narrow space
- High ground clearance capable for rough terrain work conditions

# Multi-Function



**Fixed Platform**



**Fork**



**4-IN-1 Bucket**

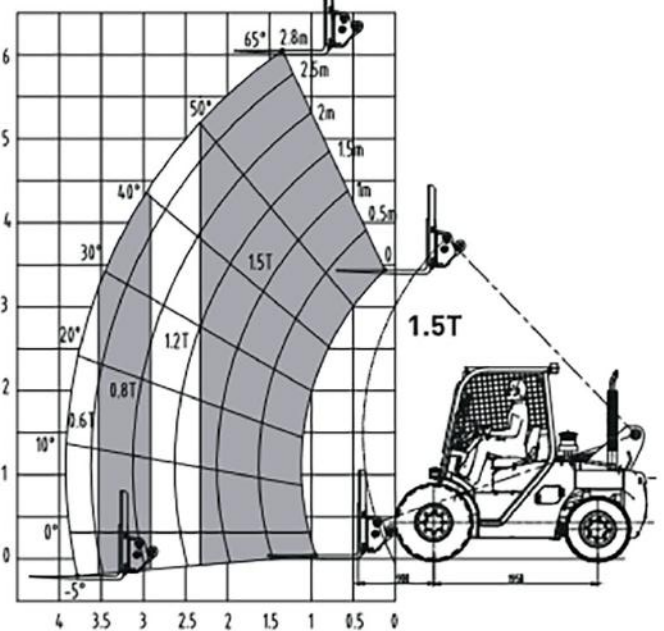
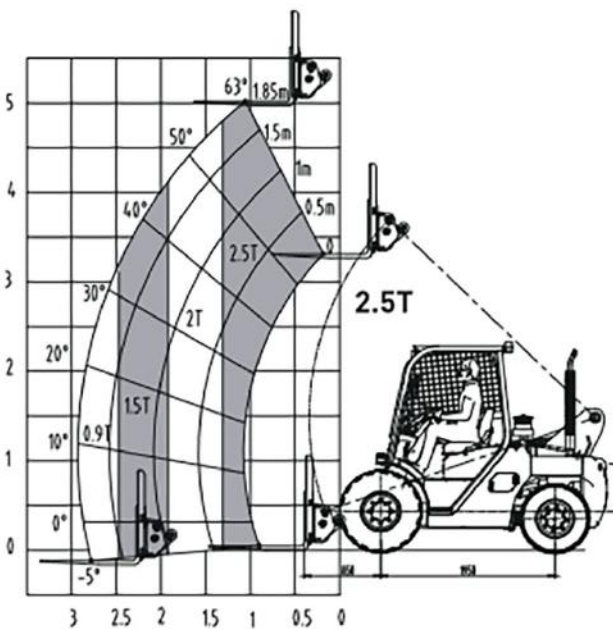
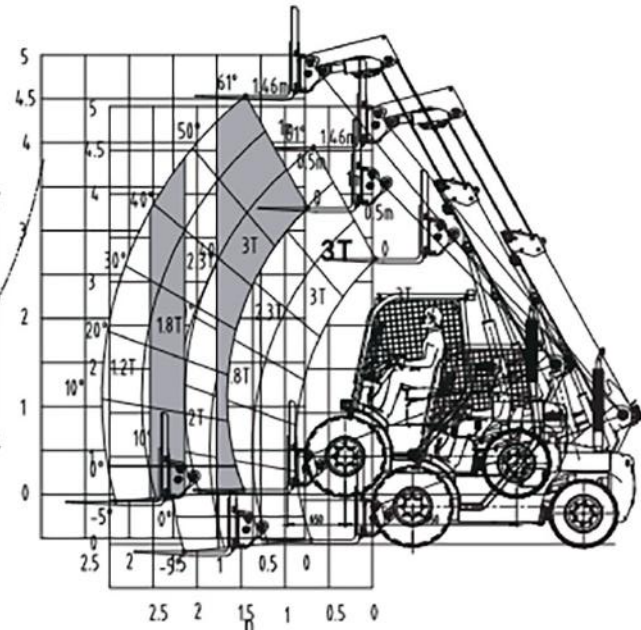
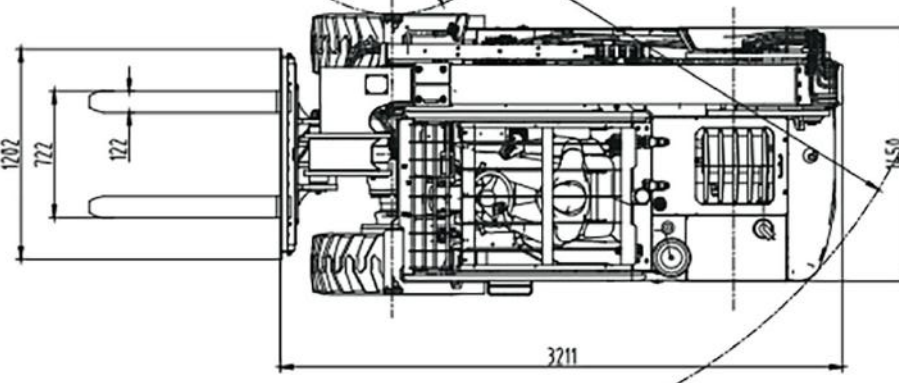
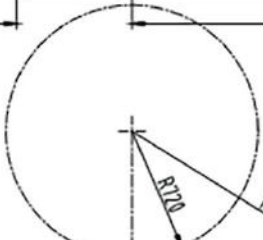
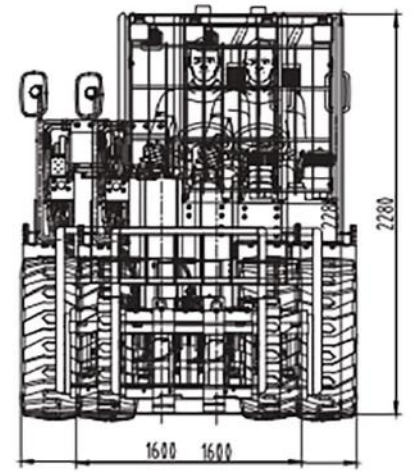
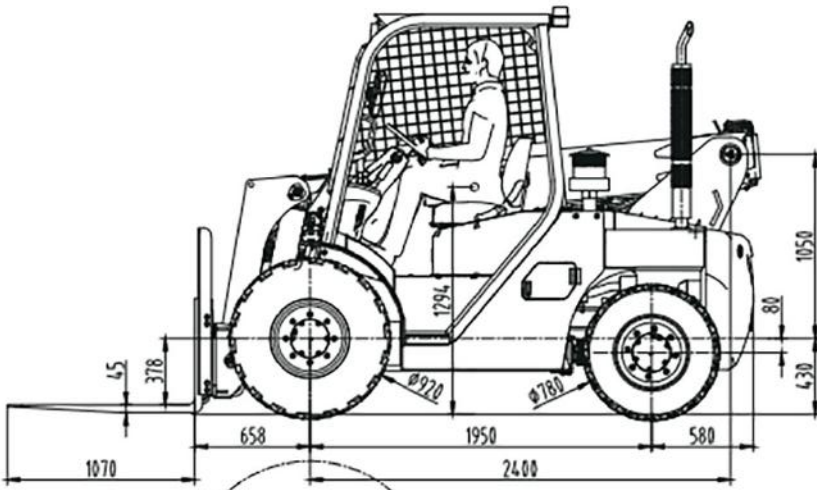


**Loading Bucket**



**Straight Crane jib**

# Line Graph



## Characteristics

Manufacturer		NOBLELIFT		
Model		FTH30N-45YM 4WD	FTH25N-50YM 4WD	FTH25N-60YM 4WD
Max. Load Capacity	kg	3000	2500	2500
Lift Capacity at Maximum Reach	kg	1200	900	600
Max. Forward Reach	m	2.3	2.9	3.9
Max. Lift Height	mm	4500	5000	6000
Load Center	mm	500	500	500
Front Wheel Outer diameter	mm	920	920	920
Gradeability (Laden)	%	45	45	45
Max. Traction	KN	36	36	36
No. of Boom Sections	n	2	2	2
Max. Travel Speed	km/h	18	18	18
Optional Attachment		Bucket	Bucket	Bucket
Bucket Discharge Height	mm	/	3500	4100
Front Tire Reach	mm	200	400	400
Overall weight	kg	5400	5500	5600

## Dimensions

Overall Length (Without Fork)	mm	3300	3500	3550
Overall width	mm	1600	1600	1600
Overall Height	mm	2280	2280	2280
Wheelbase	mm	1950	1950	1950
Ground Clearance	mm	500	500	500
Front Track	mm	1250	1250	1250
Cab Width	mm	960	960	960
Outside Turning Radius	mm	3250	3250	3250
Outrigger Width (Retracted)	mm	5500	5700	5800
Fork Size	mm	1220x122x45	1220x122x40	1220x122x40
Max Fork Width	mm	1036	1036	1036
Rear Overhang	mm	600	600	600

## Performance


Boom Pitch Angle	deg	61/-5	63/-5	65/-5
Fork Pitch Angle	deg	12/74	30/100	30/100
Boom Lift Speed	s	8	8	9
Boom Down Speed	s	6	6	6
Boom Extension Speed	s	7	8	7
Boom Retraction Speed	s	5	6	5
Fork Tilt Speed	s	4	5	5
Fork Retraction Speed	s	2.5	3.3	3.3
Indoor Noise	dB	95	95	95
Outdoor Noise	dB	102	102	102
Lifting Speed (Laden/Unladen)	mm/s	450	450	450
Lowering Speed (Laden/Unladen)	mm/s	540	540	540



**L3**  
Type  
**LS**

Model: L4CRTV4(EuV+Tier 4)  
 Rated Output: 42/2300kw/r.p.m  
 Rated Torque: 208/1600N.m/r.p.m  
 No. of cylinder: 4  
 Bore\*Stroke: 88×103mm  
 Displacement: 2505cc

**NOBLELIFT**  
CANADA  INC.

 850 RUE ELLINGHAM, POINTE-CLAIRE  
QUEBEC H9R 3S4

 (514) 697-0117

 INFO@NOBLELIFTCA.COM

 WWW.NOBLELIFTCANADA.COM