

INSTRUCTION HANDBOOK

TFD35 Manual Lifting Table



WARNING

Do not use the lifting table before reading and understanding these operating instructions.

NOTE:

- Please check the designation of your present type at the last page of this document as well as on the ID-plate.
- Keep for future reference.

Version 09/2015

TFD35-SMS-001_EN

FOREWORD

Before operating the lifting table, read this ORIGINAL INSTRUCTION HANDBOOK carefully and understand the usage of the lifting table completely. Improper operation could create danger.

This handbook describes the usage of different lifting tables. When operating and servicing the lifting table, make sure, that it applies to your type.

Keep this handbook for future reference. If this or the warning/ caution labels are damaged or got lost, please contact your local dealer for replacement.

ATTENTION:

- Environmentally hazardous waste, such as oil, will have a negative effect on the environment, or health, if handled incorrectly.
- The waste packages should be sorted and put into solid dustbins and be collected disposal by local special environment protection bureau. To avoid pollution, it's forbidden to throw away the wastes randomly.
- To avoid leaking during the use of the products, the user should prepare some absorbable materials (scraps of wooden or dry duster cloth) to absorb the leaking oil in time. To avoid second pollution to the environment, the used absorbable materials should be handed in to special departments in terms of local authorities.
- Our products are subject to ongoing developments. Because this handbook is only for the purpose of operating / maintaining the lifting table, therefore please have understanding, that there is no guarantee out of particular features out of this handbook.



NOTE: On this manual, the left sign means warning and danger, which can lead to death or serious injury if not followed.

Copyright

The copyright remains with the company, mentioned on the CE- certificate at the end of this document.

TABLE OF CONTENTS

1. CORRECT APPLICATION	3
2. DESCRIPTION OF THE LIFTING TABLE	4
a. Overview of the main components	4
b. Main technical data	5
c. Description of the safety devices and warning labels.....	6
d. Identification plate	7
3. WARNINGS AND SAFETY INSTRUCTIONS	7
4. COMMISSIONING, TRANSPORTING, STORAGE/ REASSEMBLING	8
a. Commissioning	8
b. Transporting	8
c. Storage/ Reassembling	8
5. DAILY INSPECTION	9
6. OPERATING INSTRUCTIONS	9
a. Parking.....	9
b. Lifting	9
c. Working at Height	10
d. Lowering	10
e. Moving	10
f. Malfunctions.....	11
g. Emergency.....	11
7. REGULAR MAINTENANCE.....	11
8. TROUBLE SHOOTING	13
9. HYDRAULIC CIRCUIT.....	13
10. DECLARATION OF CONFORMITY (valid, if sold within the EU).....	14

1. CORRECT APPLICATION

It is only allowed to use this lifting table according to this instruction handbook.

This table is a mobile lifting table designed to lift or lower a clearly defined load. The lift category is 2.

Do not use this table for other purpose than its intended use. A wrong usage can cause human injuries or can damage equipment. The operator/ the operating company has to ensure the correct usage and has to ensure, that this table is used only by staff, which is trained and authorized to use this table.

The table has to be used on substantially firm, smooth, level and prepared surfaces. Driving with the load lifted is not allowed. The load must be placed approximately on the longitudinal centre plane of the table. The capacity is marked on capacity sticker as well on the Identification plate. The operator has to consider the warnings and safety instructions.

The table is intended to be used for indoor applications with ambient temperatures between +5°C and + 40°C.
Operating lighting must be minimum 50 Lux.

Modification

No modifications or alterations to this lifting table which may affect, for example, capacity, stability or safety requirements of the truck, shall be made without the prior written approval of the original truck manufacturer, its authorized representative, or a successor thereof. This includes changes affecting, for example braking, steering, visibility and the addition of removable attachments. When the manufacturer or its successor approve a modification or alteration, they shall also make and approve appropriate changes to capacity plate, decals, tags and operation and maintenance handbooks.

By not observing these instructions, the warranty becomes void.

2. DESCRIPTION OF THE LIFTING TABLE

a. Overview of the main components

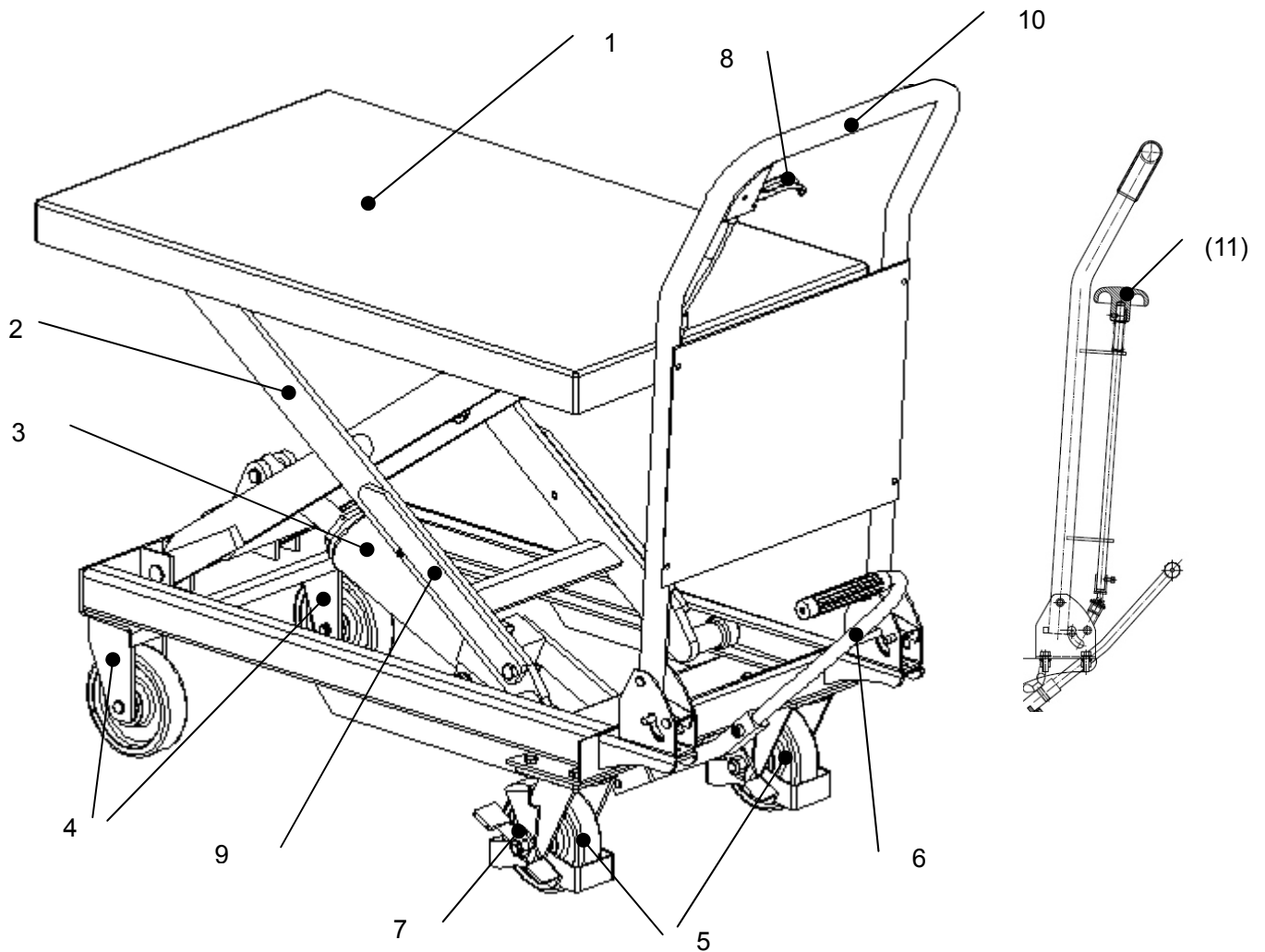


Fig. 1: Overview

- | | | | |
|---|--------------------|------|------------------------------------|
| 1 | loading platform | 7 | Parking brake |
| 2 | Lift mechanism | 8 | Lowering lever |
| 3 | Hydraulic cylinder | 9 | Safety mechanism (metal bar) |
| 4 | Castors | 10 | Pushing/ Pulling bracket |
| 5 | Steering castors | (11) | Lowering turning handle (optional) |
| 6 | Foot pedal | | |

b. Main technical data

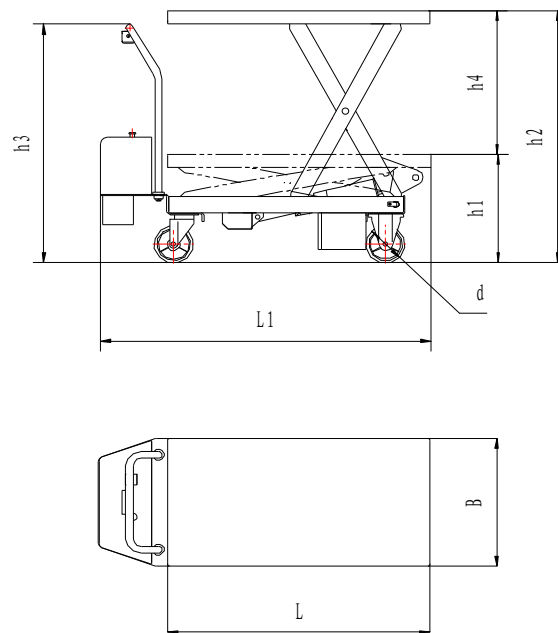


Fig. 2: Technical data

Table 1: Main technical data for standard version

TYPE			TF15	TF 30	TF 50	TF75	TF100	TFD35	TFD70	TG50	TG100
Capacity		kg	150	300	500	750	1000	350	700	500	1000
Max table height	h_2	mm	720	880	880	990	990	1300	1500	915	1360
Min. table height	h_1	mm	220	285/340	285/340	420	380	355	445	290	360
Table/ platform size	(LxB)	mm	700x450	815x500 /850x500	815x500 /850x500	1000x510	1016x510	910x500	1220x610	1600x810	2035x750
Castor wheel	$\varnothing \times w$	mm	$\varnothing 100 \times 25$	$\varnothing 125 \times 40$	$\varnothing 125 \times 40$	$\varnothing 147 \times 50$	$\varnothing 125 \times 50$	$\varnothing 125 \times 40$	$\varnothing 125 \times 40$	$\varnothing 125 \times 40$	$\varnothing 180 \times 50 / \varnothing 80 \times 40$
Overall length	L_1	mm	908	1060	1060	1330	1330	1140	1480	1832	2346
Handle height	h_3	mm	950	990	990	990	980	975	1015	975	1000
Vertical lifting	h_4	mm	500	540/ 595	540/ 595	570	610	945	1055	625	1000
Foot pedal cycles to max. height			≤ 28	≤ 27	≤ 27	≤ 45	≤ 82	≤ 53	≤ 97	≤ 55	≤ 200
Net weight		kg	46	77	81	125	140	105	195	156	350

C. Description of the safety devices and warning labels

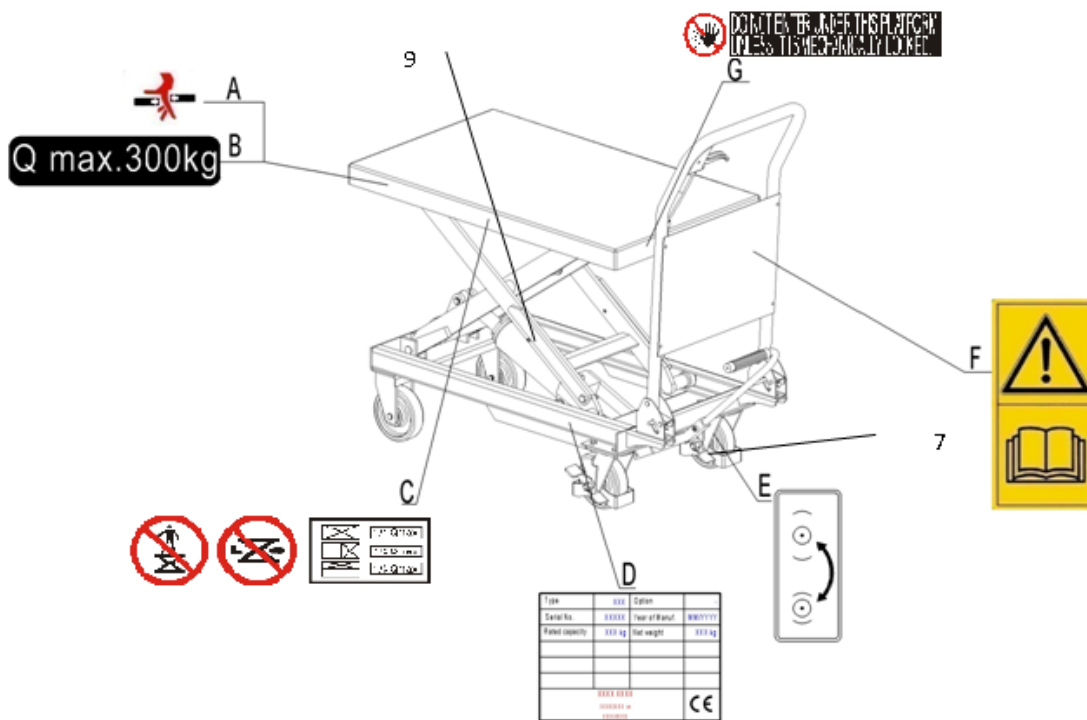


Fig. 3: Safety and warning labels

- A Sticker finger shearing and crushing (both sides)
- B Capacity sticker (both sides, sample for illustration only, capacity might be different)
- C Prohibited and capacity positioning decal (both sides)
- D Identification plate (ID-plate)
- E Brake sticker
- F Sticker to read this instruction
- G Prohibit decal

The safety bar (9) must be folded out after the platform is lifted to ensure that neither crushing nor shearing risk can arise from unintended lowering or malfunctions. Before lowering it must be back into its initial position. If there arise any malfunctions, if possible lower the lifting table carefully and activate the parking brake (7). Should it be not possible, remove the load on the table by using designated lifting equipment.



DO NOT ENTER UNDER THIS PLATFORM UNLESS IT IS MECHANICALLY LOCKED
DO NOT PUT HANDS OR FEET UNDER THE PLATFORM

d. Identification plate

- | | | | |
|---|---------------------------------|---|--------------------------------------|
| 1 | Designation, type | 5 | Name and address of the manufacturer |
| 2 | Serial number | 6 | Allowed load distribution |
| 3 | Net weight | 7 | Rated capacity |
| 4 | Lift category 2 acc. to EN 1570 | 8 | Manufacturing date |

Fig. 4: Identification plate

Type		TF xx	Manual lifting table	
2	Serial No.	xxxxx	Year of Manuf.	MM/YYYY
3	Net weight	xxx kg	Rated capacity	xxx kg
4	Lift category	2		
5	XXXX XXXX XXXXXXXX xx XXXXX / XXXXXX			CE If sold to the EU, here the place of the CE marking CE

3. WARNINGS AND SAFETY INSTRUCTIONS



DO NOT

- Put foot or hand in the scissors lifting mechanism.
- Allow other person than the operator to stand in front of or behind the table when it is moving or lifting/lowering.
- Move the table when table is in raised position. Load could fall down.
- Enter under table.
- Overload the table.
- Put foot in front of rolling wheel, Injury could result.
- Use the table on a slope or inclined surface, the table may become uncontrollable and create danger.
- Lift people. People could fall down and suffer severe injury.

Watch difference in floor levels when moving the lifter. Load could fall down or the lifting table could get uncontrollable.



DO NOT

- Lower table too fast. Load could fall down and create danger. Lower speed controller is available for safety purpose.

- Side or end load. Load must be distributed on at least 80% of table area.
- Use table with unstable, unbalanced loosely stacked load.
- Use table without manufacturer's written consent.

Keep watching the condition of load. Stop operating table if load becomes unstable. Brake table with the parking brake (7) when sliding load on or off table. Practice maintenance work according to regular Inspection. This table is not designed to be water resistant. Use table under dry condition. Stop operation if temperature of hydraulic oil is too high.

4. COMMISSIONING, TRANSPORTING, STORAGE/ REASSEMBLING

a. Commissioning

For the commissioning following information are relevant:

Table 2: Commissioning data

Type	TF15	TF 30	TF 50	TF 75	TF 100	TFD35	TFD70	TG50	TG100
Commissioning weight	50 kg	82 kg	86 kg	130 kg	148 kg	110 kg	200 kg	165 kg	360 kg
Dimensions [mm]	830x 460x 300	975x 520x 450	975x 520X 450	1170x 620x 460	1170x 620X 430	1010x 520x 420	1300x 640x 500	1760x 900x 490	2300x 840x 495

After receiving our new lifting table you have to do following before firstly operating the table:

- Check if all parts are included and not damaged
- Installation of the pulling/pushing bracket (10).
- Do the work according to the daily inspections as well as functional checks.

b. Transporting

For transporting, remove the load, lower the table to the lowest position and fix the table lash the table safe with dedicated lashing straps.

c. Storage/ Reassembling

For storage, remove the load, lower the table to the lowest position, grease all in this handbook mentioned greasing points (regularly inspection) and eventually protect the table against corrosion and dust. Jack the table safety, so that there will be no flattening after storage. For reassembling remove the pushing/ pulling bracket (10) in the opposite way you assembled this before.

5. DAILY INSPECTION

This chapter describes pre-shift checks before putting the truck into operation. Daily inspection is effective to find the malfunction or fault on this table. Check table on the following points before operation. Remove load from table and when servicing, please use the safety mechanism (9) to prevent table from lowering.



DO NOT USE THE TABLE IF ANY MALFUNCTION OR FAULT IS FOUND. HYDRAULIC LEAKAGE CAN CAUSE MALFUNCTIONS AND LOSS IN THE LIFTING FUNCTION.

- Check for scratch, bending or cracking on the table.
- Check if there is any oil leakage from the cylinder.
- Check the vertical creep of table.
- Check the smooth movement of the wheels.
- Check the function of the brake.
- Check if all the bolts and nuts are tightened firmly.
- Check the lifting and lowering conditions by shifting the knob.
- Check if there are broken hoses or broken electric wires by eyes.

6. OPERATING INSTRUCTIONS



- When operating the lifting table, the operator has to wear safety shoes.
- The table is intended to be used for indoor applications with ambient temperatures between +5°C and + 40°C.
- The operating lighting must be minimum 50 Lux.
- It is not allowed to use the table on angled surfaces!

a. Parking



Brake the table when not moving it in order to prevent sudden movement.

The brake(7) is equipped with the swivel caster on the right.

- Braking, press the brake pedal (7).
- Releasing, lift up the brake pedal (7).

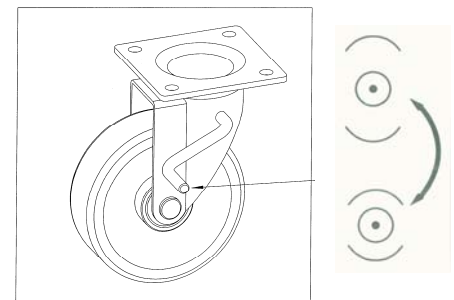


Fig. 5: Parking brake

b. Lifting



- Do not overload table. Stay within the rated capacity.
- Do not side or end load. Load must be distributed on at least 80% of table area (1).
- Prolonged continuous working might cause damage of hydraulic power pack.
- Stop operation if temperature of hydraulic oil is too high.
- Do not lift people. People could fall down and suffer severe injury.
- Before lifting a load, ensure that the load is stable and can't fall down; in case of doubt, fix the load with designated lashing equipment.
- Lift the load by pedaling the lifting pedal (6) carefully until the desired or maximum lifting height is reached. During lifting don't use the lowering mechanism (8, 11).

- Load only the designated capacity, which is :

- TF 15 150 kg
- TF30 300 kg
- TF 50 500 kg
- TF75 750 kg
- TF100 1000 kg
- TFD35 350 kg
- TFD70 700 kg
- TG50 500 kg
- TG100 1000kg



DO NOT OVERLOAD THE TABLE!

The capacity sticker (B) shall be clearly and permanent visible from the operating position.

c. Working at Height



- While working at height the safety mechanism (9) must be activated to prevent unintended lowering, which can cause permanent injuries or damages.

If the table is lifted, move/ turn out the safety mechanism (9).
Before lowering, turn this metal bar back to its initial position.

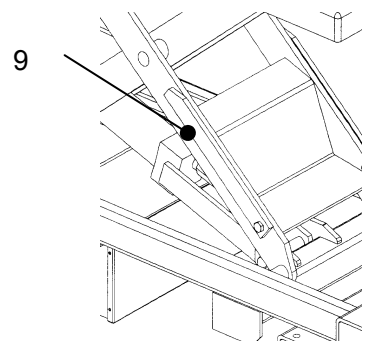


Fig. 6: Safety mechanism

d. Lowering



- Do not put foot or hand in scissors mechanism.
- Do not lower table with load too fast and stop suddenly. Impact load could be created and table could be damaged.
- Lower the load by pulling the lowering lever (8) carefully until the desired or lowest position is reached.
- OPTIONAL: Turn the lowering turning handle(11) counter-clockwise until the desired or lowest position is reached.

e. Moving



DO NOT

- Move the table on a slope or inclined surface. Lifting table may become uncontrollable and create danger.
- Allow other person stand in front of or behind table when it is moving.
- Move table when table is in raised position. Load could fall down.
- Put foot in front of rolling wheels. Injury could result.
- Move the table if the visibility is insufficient.
- Watch difference of floor level when moving lifter. Load could fall down.
- Make the load stable to prevent it from falling down.
- Lower the table down before moving.
- Release the brake (7) and move the table by pushing or pulling the pushing/ pulling bracket (10).
- Keep watching the condition of load. Stop operating the table if load becomes unstable.

f. Malfunctions

If there are any malfunctions, the excess speed device has operated or the table is inoperative, please stop using the lifting table. Place the table at a safe place, if possible/necessary activate the safety mechanism (9) against lowering, park the table on a safe area by activating the parking brake (7). Inform immediately the manager and, or call your service. Start operating the table only if the reason for the malfunction was investigated and repaired.

g. Emergency

In emergencies, stop lifting and lowering and keep safe distance. If possible activate the parking brake.

7. REGULAR MAINTENANCE



- Only qualified and trained personnel are allowed to do service on this lifting table.
- Before servicing the table, remove the load and during servicing use the safety mechanism (9).
- Use approved and from your dealer released original spare parts.
- Please consider that oil leakage of hydraulic fluid can cause failures and accidents.
- It is allowed to adjust the pressure valve only from trained service technicians.

If you need to change the wheels, please follow the instructions above. The castors must be round and they should have no abnormal abrasion.

Remove load from table and when servicing lifter, please use safety stopper to prevent table from lowering.

- **DAILY:** Check the items emphasized in daily inspection (chapter 5).
- **MONTHLY:** Lubricate with grease the rails where roller moves, also lubricate with grease the grease nipples.
- **EVERY SIX MONTH:** Lubricate all the pivoting points and axles.
- **EVERY TWELVE MONTH:** Replace the hydraulic oil.

The required hydraulic fluid- type is YA-N46, the viscosity is 41.4-50.6

Table 3: Amount of oil

Type	TF 15	TF 30	TF 50	TFD 35	TF 75	TFD 70	TF 100	TG 50	TG 100
Amount	0,2l	0,24l	0,24l	0,24l	0,4l	0,47l	0,41l	0,35l	3l



- For refilling the hydraulic fluid, a ventilation screw on the upper side of the cylinder is equipped.
- For this please call your next service.
- Caution is called for working with the lifting mechanism.
- If you need to replace the hydraulic hoses, use only dedicated original parts according to the spare parts list.

Waste material like oil or other must be probably disposed and recycled according to the national regulations and if necessary brought to a recycling company. Before starting operating the lifting table check, if all markings and decals are in the right place and not damaged (acc. to chapter 2 c). If necessary replace the decals. If major repair or replacement to a load supporting member of the lifting table has been carried out, following tests needs to be carried out. For this you need to have special skills.



FOR THIS PLEASE CALL YOUR NEXT DEALER OR SERVICE!

Table 4: Checking after major repair or replacements

Lifting table Practical test according to EN 1570				
	Content	Requirement	Data (if required)	Ok/ not ok
1	Function of the controls.	Ok/ not ok		
2	Emergency stop, Brakes, Safety bar, Safety switches	Ok/ not ok		
3	Lift table through one complete cycle.	0 x Q max.		
4	Operate the lifting table through one complete cycle.	1 x Q max.		
5	Lifting and lowering time (operated with the full load)	[s]		
6	Vertical creep with Q max.	10min. \leq 5mm		
7	Maintenance blocking device under the platform	1 x Q max.		
8	Dynamic test	1.1x Q max. / 1cycle		
9	Pressure valve, use locking glue.	Pressure valve \leq 110%		
10	Static test (raised height and max. stress on the structure)	1.25xQ max.		
11	Visual check (by normal vision)	No deformation or damage of all parts		
12	Operation of braking or holding devices.	Ok/ not ok		
13	Additionally equipment operation.	Ok/ not ok		
14	Overtuning conditions	0.5x Q max. sideways		

Table 5: Maintenance Logbook

Regular Maintenance Logbook							
Date	Name	Comments	Re-start	Date	Name	Comments	Re-start

8. TROUBLE SHOOTING



- If the table has malfunctions follow the instructions, mentioned under chapter 7 f.

Table 6: Trouble shooting

TROUBLE	CAUSE	REPAIR
Table does not rise	Faulty foot pedal (6)	Check and if necessary repair or replace the mechanical connections of the lifting pedal.
	Oil leakage from Cylinder (3)	Replace sealing.
	Faulty lifting mechanism (2)	Check and repair the lifting mechanism.
Vertical creep of table	Oil leakage in the lowering valve.	Replace the lowering valve.
	Oil leakage from hydraulic circuit	Check hydraulic circuit and repair.
Oil leakage from cylinder	Faulty sealing.	Replace sealing.
Oil leakage from piping or joint.	Insufficient tightening.	Tighten joint again.
Oil leakage from air breathing	Excessive quantity of oil.	Reduce oil quantity.
Table does not lower	Lowering cable disconnected	Connect and adjust the cable.
	Lowering turning handle disconnected	Repair the turning handle

9. HYDRAULIC CIRCUIT

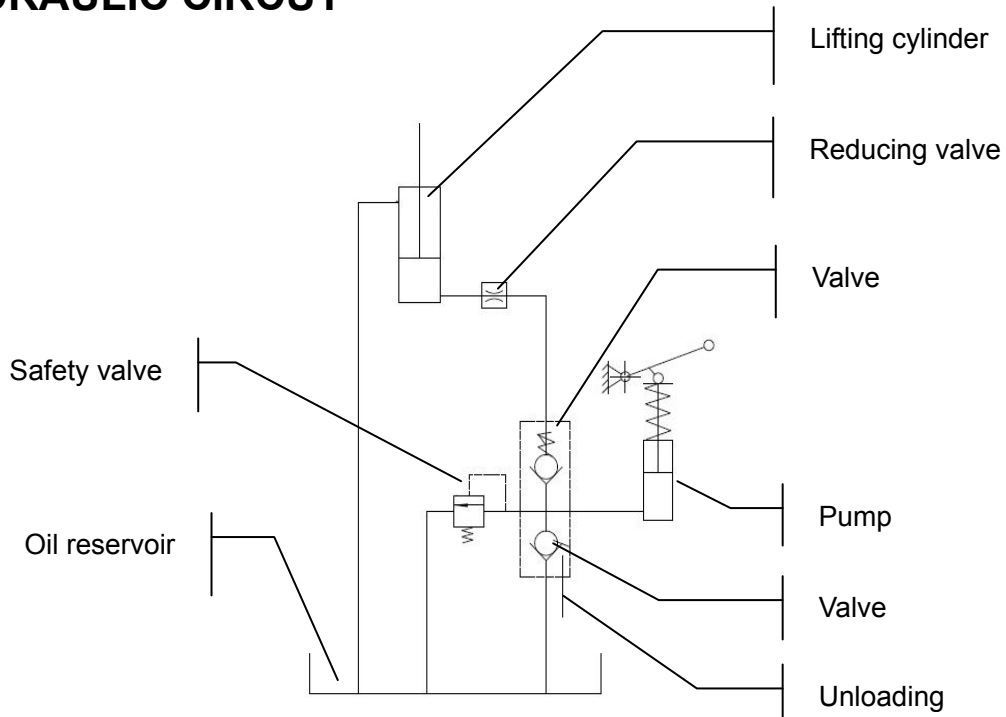


Fig. 7: Hydraulic circuit

10. DECLARATION OF CONFORMITY (valid, if sold within the EU)

[GB] CE Declaration of Conformity

The signatory hereby declares that the machine described below in detail complies with the European Directive 2006/42/EC (Machinery Directive) including amendments as well as the legislative decree to incorporate the directives in national law. The signatory is individually authorized to compile the technical documents.

[D] EG-KONFORMITÄTSERKLÄRUNG

Der Unterzeichner bescheinigt hiermit, dass die im Einzelnen bezeichnete Maschine den Europäischen Richtlinien 2006/42/EG (Maschinenrichtlinie) einschließlich deren Änderungen sowie dem entsprechenden Rechtserlaß zur Umsetzung der Richtlinien in nationales Recht entspricht. Der Unterzeichner ist bevollmächtigt, die technischen Unterlagen zusammenzustellen.

[E] DECLARACIÓN DE CONFORMIDAD CE

El signatario certifico por medio de la presente que la máquina descrita en esta documentación cumple con la Directiva Europea 2006/42/CE (Directiva de máquinas), incluyendo sus respectivas modificaciones, así como con los Reales Decretos de transposición de la directiva al derecho nacional. El signatario dispone de una autorización individual que le permite compilar la documentación técnica.

[F] DECLARATION DE CONFORMITE CE

Les signataires certifient par la présente que les machines désignées individuellement satisfont aux directives européennes 2006/42/CE (directive machine), y compris leurs modifications ainsi que les décrets légaux concernant la mise en oeuvre des directives dans le droit national. Les signataires sont respectivement et individuellement autorisés à regrouper les documents techniques.

[NL] EG-CONFORMITEITSVERKLARING

De ondertekenaars verklaren hiermee, dat de hieronder genoemde machine voldoet aan de Europese richtlijnen 2006/42/EG (Machinerichtlijn), inclusief de wijzigingen en wetgeving voor de omzetting van de richtlijnen in nationaal recht. Ondergetekenden zijn ieder individueel gemachtigd het technisch dossier samen te stellen.

[P] DECLARAÇÃO DE CONFORMIDADE CE

Os signatários vêm por este meio certificar que os a máquina descritos em pormenor cumprem as diretivas europeias 2006/42/CE (directiva relativa a máquinas) incluindo as suas alterações e o respectivo documento legal com vista ao cumprimento das diretivas no enquadramento legal nacional. Os signatários estão individualmente autorizados a compilar os documentos técnicos.

[I] DICHIARAZIONE DI CONFORMITÀ CE

Con la presente i firmatari attestano che la macchina per movimentazione interna è conforme alla direttiva europea 2006/42/CE (Direttiva Macchine), comprese le relative modifiche, nonché al documento legale per la trasposizione di tali direttive nel diritto nazionale. I sottoscritti sono singolarmente autorizzati alla creazione della documentazione tecnica.

[BG] ЕВРОПЕЙСКА ОБЩНОСТ - ДЕКЛАРАЦИЯ ЗА СЪОТВЕТСТВИЕ

С настоящото подписаните удостоверяват, че специфицираното тук машината средство отговаря на Европейските директиви 2006/42/ЕО (Директива за машините), включително на техните изменения, както и на съответното постановление за прилагане на директивите в националното право. Подписаните са съответно упълномощени поотделно да съставят техническата документация.

[CZ] EG - PROHLÁŠENÍ O SHODĚ

Níže podepsaní tímto potvrzují, že podrobný popis stroje odpovídá Evropským směrnici 2006/42/EC (směrnice pro strojní zařízení) včetně jejich pozdějších úprav, jakož i příslušným právním výnosům pro uplatnění příslušné směrnice v rámci národního práva. Každý z podepsaných je jednotlivě způsobilý k vytvoření technických podkladů.

[DK] EF-OVERENSSTEMMELSESERKLÆRING

Undertegnede erklærer hermed, at følgende maskine overholder de væsentligste krav i Rådets direktiv 2006/42/EF (Maskindirektivet) om indbyrdes tilnærmelse af medlemsstaternes lovgivning. Alle undertegnede har fuldmagt til selvstændigt at sammensætte det tekniske materiale.

[EST] EL vastavusavaldus

Nастоящим лица, подписавшие документ, удостоверяют, что напольное подъёмно-транспортное средство с силовым приводом в указанной спецификации соответствует Европейским директивам 2006/42/EG (Директива по машинам), включая изменения в них, а также соответствующему правовому документу по трансформации директив в национальное право. Каждое по отдельности лицо, подписавшее документ, имеет полномочия для составления технической документации.

[FIN] EU-YHDENMUKAISUUSSELOSTUS

Allekirjoittavat todistavat täten, että yksilöity kone vastaa eurooppalaista direktiiviä 2006/42/EY (konedirektiivi) kaikkine muutoksineen sekä säädöksiä, jolla direktiivi on saatettu osaksi kansallista lainsäädäntöä. Allekirjoittajilla on kullakin erikseen valtuudet laatia teknisiä dokumentteja.

[GR] ΔΗΛΩΣΗ ΣΥΜΜΟΡΦΩΣΗΣ ΕΟΚ

Οι υπογράφωντες βεβαιώνουν διά της παρούσης ότι το συγκεκριμένο μηχάνημα συμμορφώνεται προς την Κοινοτική Οδηγία 2006/42/ΕΚ («Μηχανήματα»), συμπεριλαμβανομένων των τροποποιήσεων, καθώς και των νομοθετικών διαταγμάτων για τη μεταφορά Οδηγιών στην εθνική νομοθεσία. Οι υπογράφωντες είναι σε κάθε περίπτωση εξουσιοδοτημένοι ατομικά να καταρτίσουν τα τεχνικά έγγραφα.

[H] EU KONFORMITÁSI NYILATKOZAT

Alulírottak ezennel igazolják, hogy a részletesen leírt, a gép megfelel a 2006/42/EK (Gép Irányelv) Európai Irányelveknek, beleértve azok módosításait, valamint az irányelvek nemzeti jogba történő átültetésére irányuló, megfelelő jogi rendelkezést. Továbbá az alulírottak mindegyike rendelkezik meghatalmazással arra nézve, hogy összeállíthatja a műszaki dokumentációt.

[LT] ES atitikimø deklaracija

Žemiau pasirašę asmenys patvirtina, kad atskirai aprašytas mašina atitinka Europos Sąjungos direktyvą 2006/42/EB (Mašinų direktyva), įskaitant ir jos pakeitimus bei tai atitinkančią teisės aktą dėl direktyvų įgyvendinimo nacionaliniuose teisės aktuose. Pasirašę asmenys yra atskirai atitinkamai įgalioti sudaryti techninius dokumentus.

[LV] ES atbilstības deklarācija

Ar šo zemāk parakstījušās personas apliecinā, ka detalizēti aprakstītais mašina atbilst Eiropas Savienības direktīvām 2006/42/EK (Mašīnu direktīva), ieskaitot to izmaiņas, kā arī atbilstošo tiesisko rīkojumu direktīvu pielāgošanai nacionālajai likumdošanai. Parakstījušās personas ir atsevišķi pilnvarotas sastādīt tehniskās dokumentācijas dokumentācijas.

[N] EU-KONFORMITETSERKLÆRING

Undertegnede bekræfter hermed at de enkelte betegnede maskin med kraftdrift overensstemmer med de europæiske retningslinjerne 2006/42/EC (masinretningslinje) med endringer, samt den tilsvarende rettsforordning til implementering i nasjonal lovgivning. De undertegnede er hver for seg bemyndiget til å sammenstille de tekniske dokumentene.

[PL] DEKLARACJA ZGODNOŚCI Z NORMAMI UE

Sygnatariusze potwierdzają niniejszym, że wyszczególniony maszyna odpowiada dyrektywie europejskiej 2006/42/WE (Dyrektywa maszynowa) wraz ze zmianami oraz rozporządzeniem prawnym dotyczącym wdrożenia dyrektywy do prawa krajowego. Każdy z sygnatariuszy jest upoważniony do samodzielnego zestawienia dokumentacji technicznej.

[RO] DECLARAȚIE DE CONFORMITATE CE

Subsemnatii adevăresc prin prezenta că utilajul de mașină, descris individual, corespunde directivelor europene 2006/42/CE (Directiva privind mașinile) inclusiv modificărilor lor, precum și actului legislativ corespunzător pentru transpunerea directivelor în dreptul național. Semnatarii sunt împuterniciți individual să redacteze documentația tehnică.

[RUS] Декларация соответствия стандартам ЕС

Настоящим лица, подписавшие документ, удостоверяют, что машина в указанной спецификации соответствует Европейским директивам 2006/42/EG (Директива по машинам), включая изменения в них, а также соответствующему правовому документу по трансформации директив в национальное право. Каждое по отдельности лицо, подписавшее документ, имеет полномочия для составления технической документации.

[S] EG-KONFORMITETSFÖRKLARING

Undertecknad intygar härmed att den specificerade maskin är tillverkad i överensstämmelse med de Europeiska direktiven 2006/42/EG (Maskindirektivet), inklusive ändringarna i dessa och motsvarande harmoniseringar i nationell rätt. Undertecknade är var och en för sig berättigad att sammanställa de tekniska dokumenten.

[SK] vyhlásenie o zhode

Podpísané osoby týmto potvrdzujú, že podrobne popísaný stroje zodpovedá európskym smerniciam 2006/42/ES (smernica o strojnych zariadeniach) vrátane ich zmien, ako aj príslušnému právnomu výnosu na uplatnenie smerníc v národnom práve. Podpísané osoby sú vždy jednotlivu splnomocnené na zostavovanie technickej dokumentácie.

[SLO] EU IZJAVA O SKLADNOSTI

Podpisani potrjujemo, da podrobno opisano gnano stroj ustreza Evropski direktivi 2006/42/ES (Direktiva o strojih), vključno z njenimi spremembami in ustrežno pravno uredbo za izvajanje direktiv v nacionalno zakonodajo. Podpisniki so posamično pooblašćeni za sestavljanje tehnične dokumentacije.

[TR] AB Uygunluk Açıklaması

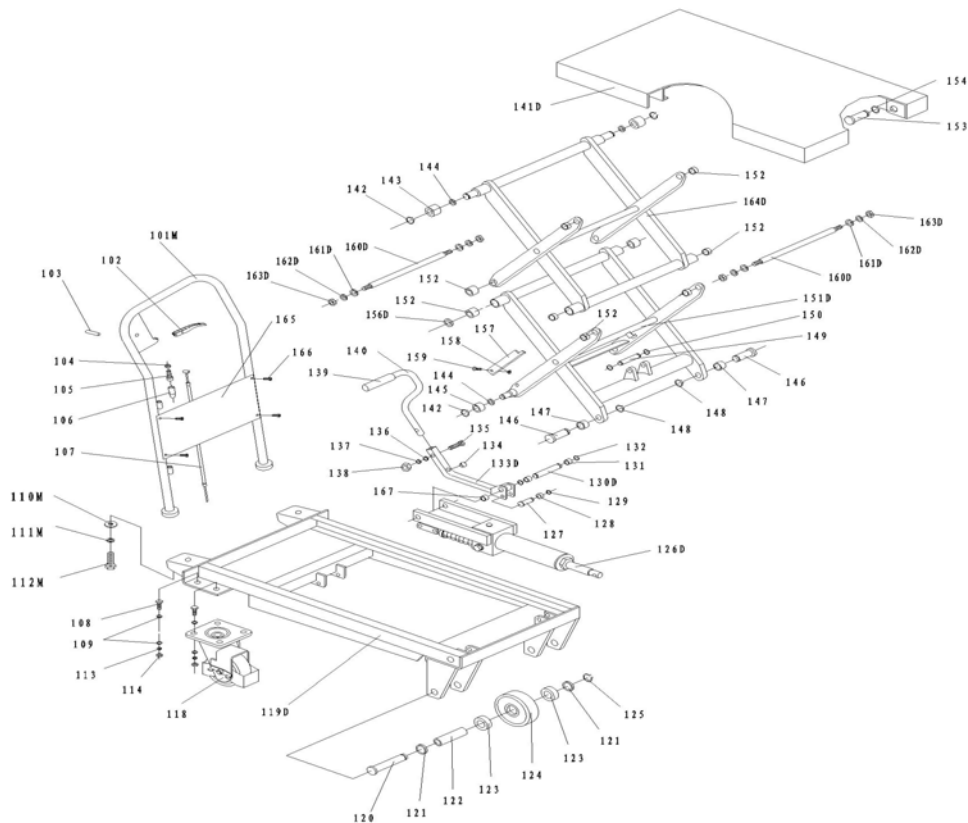
İmza sahipleri bu yazı ile, belirtilen makine istif aracının Avrupa Yönetmeliklerine 2006/42/EG (Makine Yönetmeliği), bunun getirdiği değişikliklere ve yasal yönetmeliklerin ulusal yasaya göre değişmesi için olan yasal genelgeye uygun olduğunu onaylamaktadırlar. Her bir imza sahibi teknik belgeleri oluşturma konusunda yetkilidir.

- (1) Type/ Typ/ Tipo/ Modello/ Τυππι/ Tipo / ΤΥΠΟΣ/ Τίπος/ Тип/ Тип/ Tips/ Tipas/ Tüüp:
- (2) Serial No./ Serien-Nr./ N°. de série/ Seriennummer/ N° de serie/ Numero di serie/ Serienr./ Sarjanro/ αριθμός/ Seriové číslo/ Szériaszám/ Nr.Seryjny/ Serijska številka/ Výrobné číslo/ Серийный номер/ Seri No./ Seerianr./ Sērijas Nr./ Serijos numeris:
- (3) Year of constr./ Baujahr/ Année de constr./ Bouwjaar/ Año de constr./ Anno di costruzione/ Produktionsår/ Byggeår/ Tillverkningsår/ Valmistusvuosi / Ano de fabrico / έτος κατασκευής/ Rok výroby/ Gyártási év/ Rokprodukcji / Letnik / Год изготовления / Üretim yılı / Våljalaskeasta / Izgatavošanas gads / Gamybosmetai
- (4) Manufacturer or his authorized representative in Community/ Hersteller oder in der Gemeinschaft ansässiger Vertreter/ Fabricant ou son mandataire établi dans la Communauté/ Fabrikant of zijn in de Gemeenschap gevestigde gemachtigde/ Fabricante o representante establecido en la Comunidad/ Construtor ou Representante estabelecido na Comunidade/ Costruttore oppure il suo rappresentante nella Comunità/ Fabrikant eller dennesi Fællesskabet etablerede befuldmægtigede/ Produsent eller agent innen felleskapet/ Tillverkare eller representant inom EU/ Valmistaja tai yhteisömaassa oleva edustaja / Vřobce nebo jeho zastoupení/ Gyártó / producent albo jego przedstawiciel w EG (Wspólnota Europejska)/ Κατασκευαστή ή όκηνο ήντιπθώλ αληηπξνζώποςλ/ Üretici ya da Bölgedeki Yetkili Temsilci/ Proizvajalec ali pooblašćeni zastopnik s sedežem v EU/ Výrobca alebo zástupca so stálym bydliskom v EÚ / Изготовитель или его представитель, зарегистрированный в стране Содружества/ Tootja või organisatsiooni paiknev esindaja/ Ražotājs vai vietējais uzņēmuma pārstāvis / Gamintojas arba šalyje reziduojantis atstovas:
- (5) Date/ Datum/ Data/ Fecha/ datum/ Dato/ päiväys/ Kuupäev/ Datums/дата/ Dátum/ dátum/ tarih/ ημερομηνία
- (6) Authorised signatory/ Im Auftrag/ pour ordre/ Incaricato/ Por orden de/ por procuração/ op last van/ på vegne af/ på uppdrag/ Etter oppdrag/ psta./ Ülesandel / pavedus / v.i. / По поручению / megbízásából / длъжностно лице / z pověření / z poverenia / po nalogu / na polecenie / din sarcina / adina / θαν' εληνιή

If you can read this text:

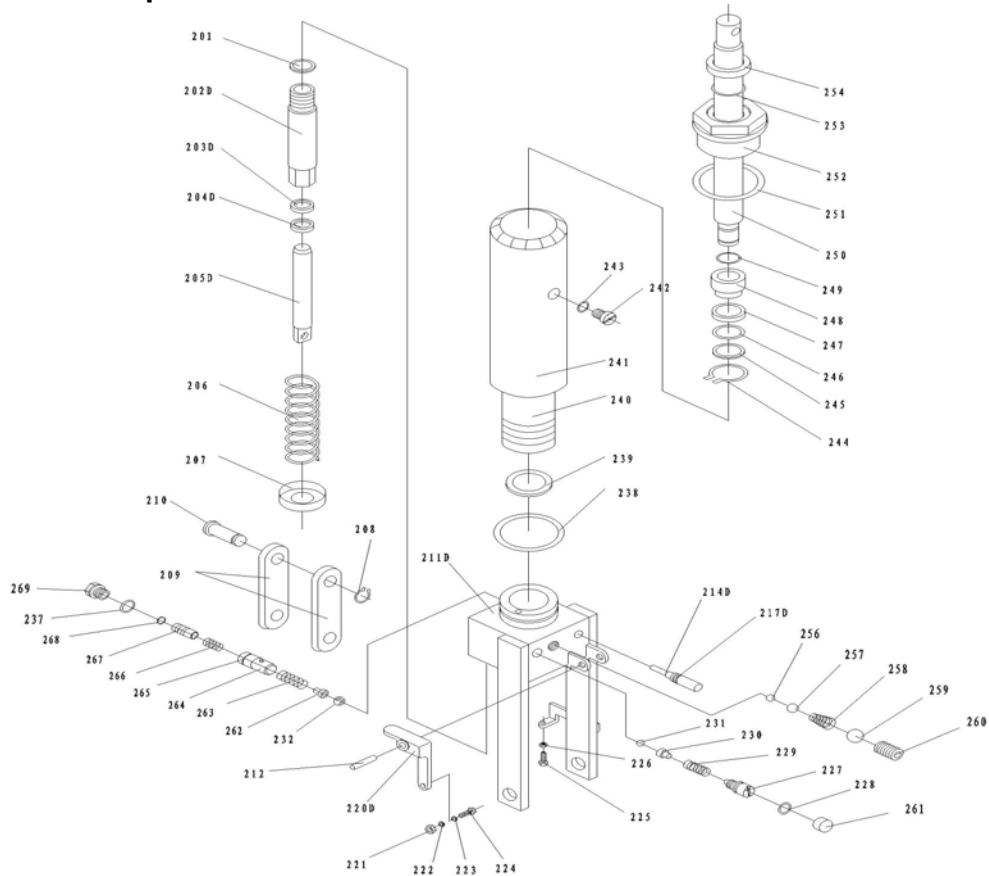
- Your truck might be sold outside the EU; this declaration is then not valid.
 - Or the declaration is not complete.
- In this case please ask for a copy

11. Part List of Table



No	Description	Qty.	No	Description	Qty.
101M	Handle Grip	1	136	Washer	1
102	Control Handle	1	137	Elastic Washer	1
103	Elastic Pin	1	138	Nut	1
104	Nut	1	139	Protecting Cover	1
105	Bolt with Hole	1	140	Pedal Bar	1
106	Jacket	1	141D	Table	1
107	Pull Rod	1	142	Retaining Ring	2
108	Bolt	8	143	Roller	2
109	Washer	16	144	Washer	2
110M	Big Washer	2	145	Roller	2
111M	Elastic Washer	2	146	Pin	2
112M	Bolt	2	147	Bushing	2
113	Elastic Washer	8	148	Retaining Ring	2
114	Nut	8	149	Pin	1
118	Universal Wheel	2	150	Retaining Ring	2
119D	Frame	1	151D	Fork Arm	1
120	Pin	2	152	Bushing	8
121	Washer	4	153	Pin	2
122	Axle	2	154	Retaining Ring	2
123	Bearing	4	156D	Washer	4
124	Wheel	2	157	Support Plank	2
125	Retaining Ring	2	158	Nut	2
126D	Pump Unit	1	159	Screw	2
127	Pin	1	160D	Long Shaft	2
128	Washer	1	161D	Washer	4
129	Retaining Ring	1	162D	Washer	4
130D	Pin	1	163D	Nut	4
131	Washer	2	164D	Top Fork Arm	1
132	Retaining Ring	2	165	Protecting board	1
133D	Connecting Rod	1	166	Bolt	4
134	Cushion	1	167	Bushing	2
135	Bolt	1			

12. Part List of Pump



No	Description	Qty.	No	Description	Qty.
201	Seal Washer	1	240	Cylinder	1
202D	Pump Cylinder	1	241	Housing	1
203D	Dust Ring	1	242	Bolt	1
204D	Y-Seal	1	243	Seal Washer	1
205D	Pump Piston	1	244	Retaining Ring	1
206	Spring	1	245	Washer	1
207	Spring Cap	1	246	O-Ring	1
208	Retaining Ring	1	247	Cup Packing	1
209	Joint Plate	2	248	Piston	1
210	Pin	1	249	O-Ring	1
211D	Pump Body	1	250	Piston Rod	1
212	Elastic Pin	1	251	Seal Washer	1
214D	Strike Pin	1	252	Cylinder Cap	1
217D	O-Ring	2	253	O-Ring	1
220D	Lever Plate	1	254	Dust Ring	1
221	Nut	1	256	Steel Ball	1
222	Elastic Washer	1	257	Steel Ball	1
223	Washer	1	258	Spring	1
224	Bolt With Hole	1	259	Steel Ball	1
225	Bolt With Hole		260	Screw	1
226	Nut	1	261	Cup	1
227	Adjusting Bolt	1	262	Seat of Steel Ball	1
228	O-Ring	1	263	Spring	1
229	Spring	1	264	Seat of Valve	1
230	Seat of Steel Ball	1	265	O-Ring	1
231	Steel Ball	1	266	Spring	1
232	Steel Ball	1	267	Core of Valve	1
237	Seal Washer	1	268	Retaining Ring	1
238	O-Ring	1	269	Plug	1
239	Seal Washer	1			