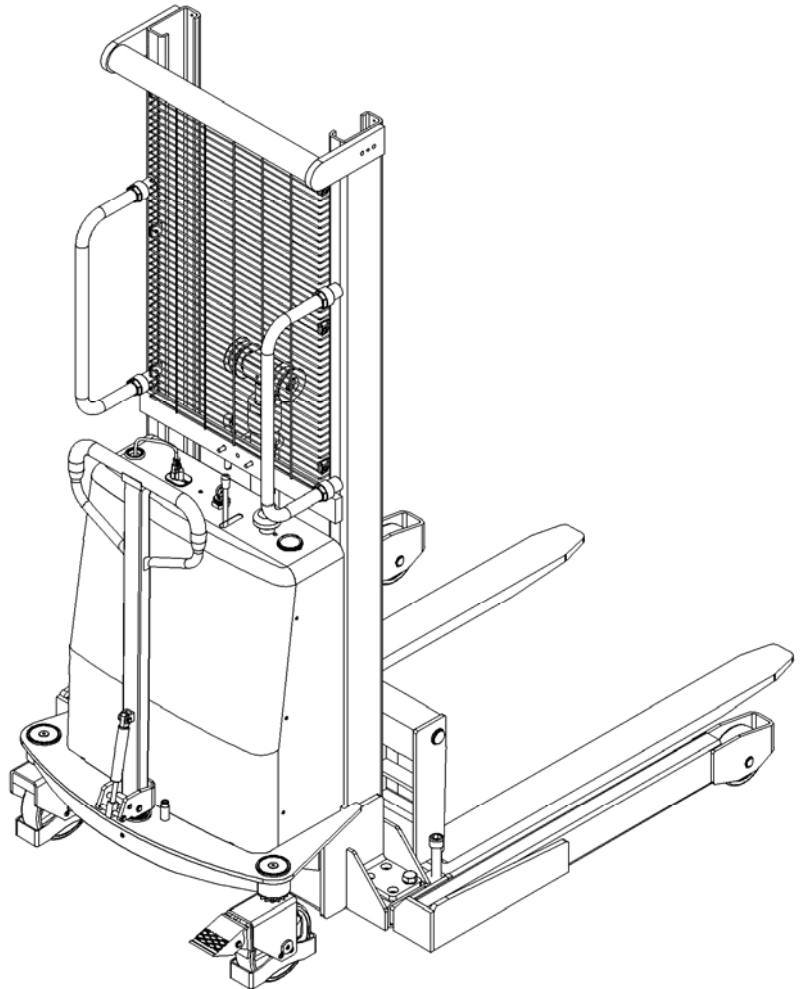


SPARE PARTS LIST

SEMI-POWER STACKER SPN22



Version 03/2017

From truck identification number:

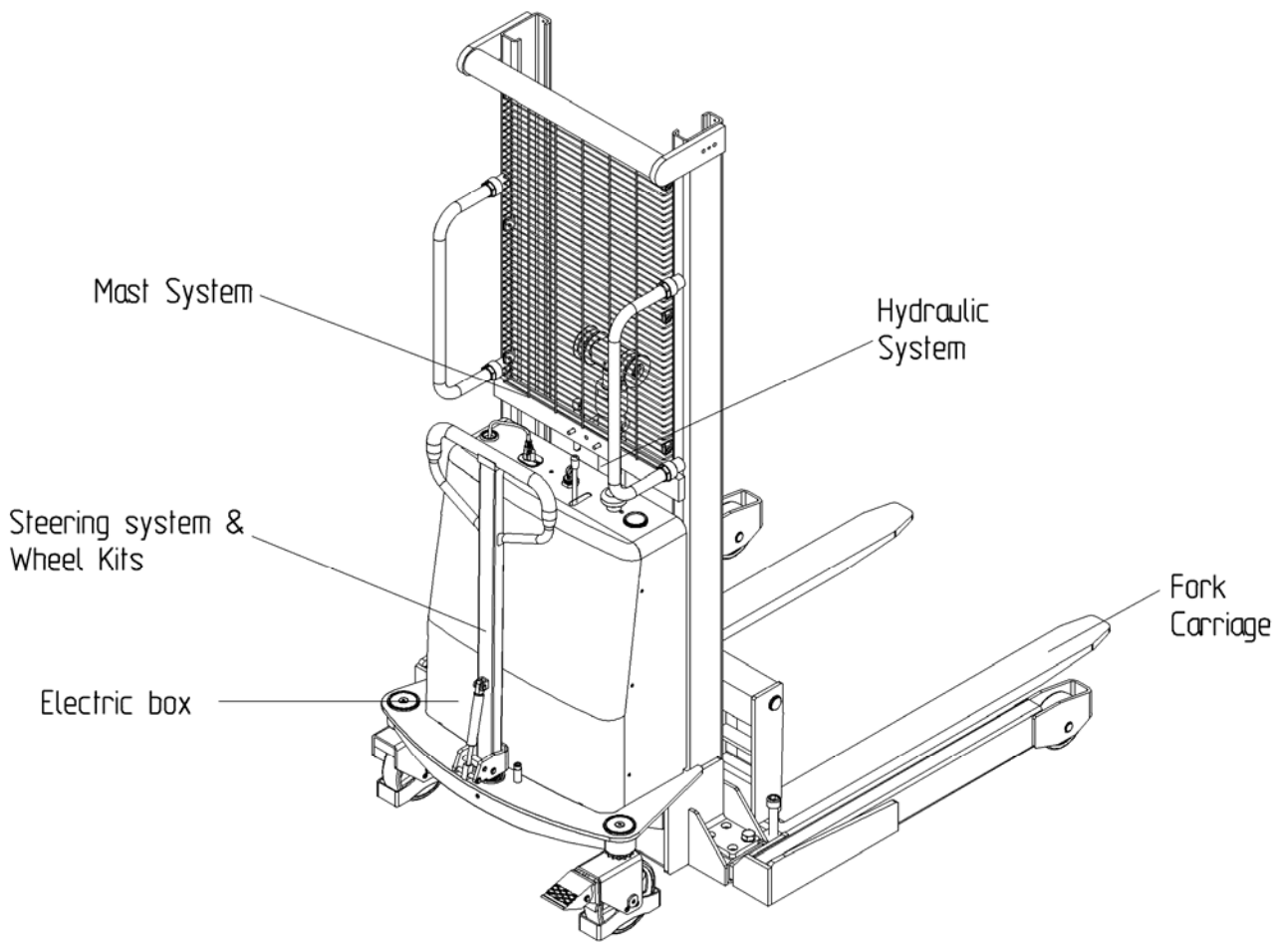
30170300001

SPN22A -BPT-001-US

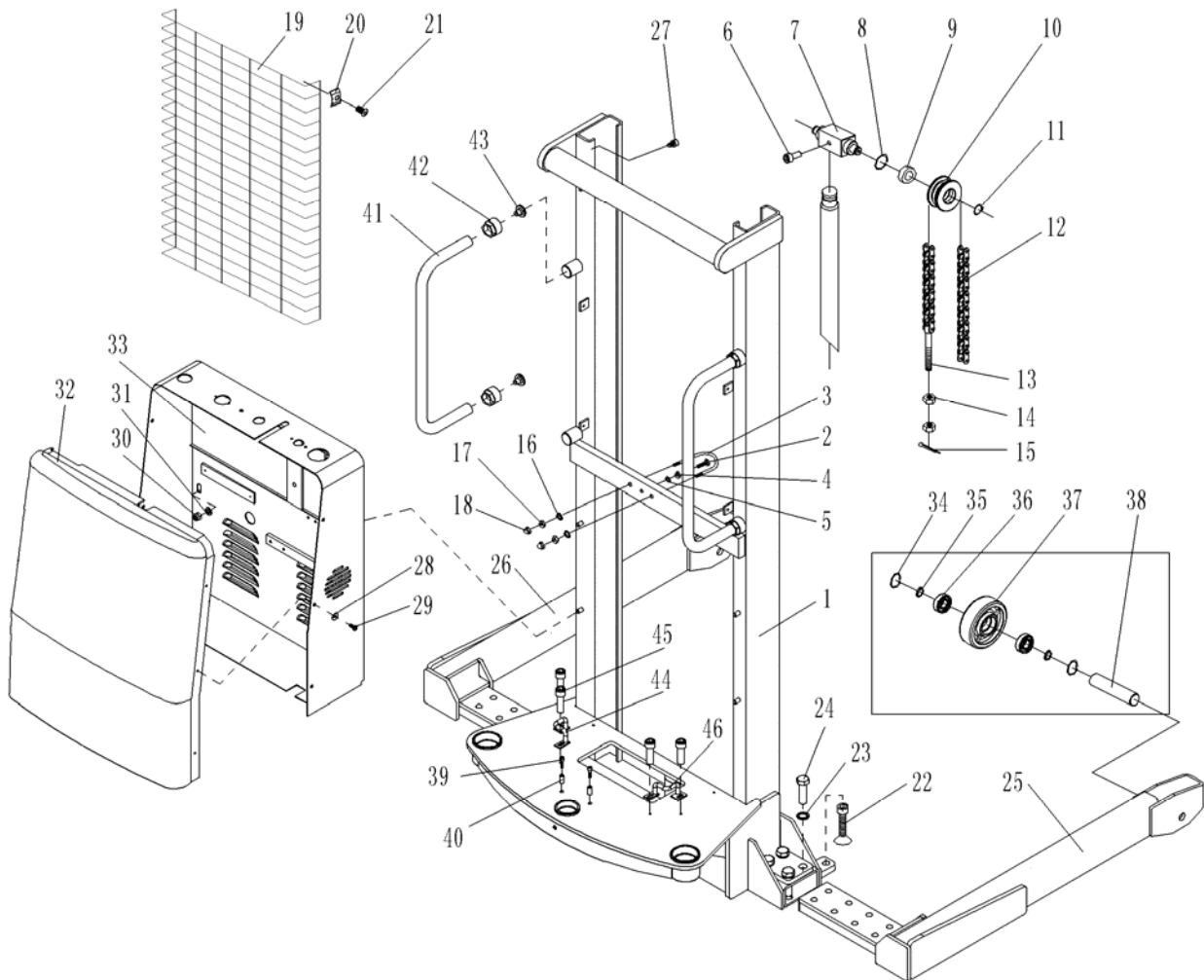
CONTENT

1. Overview	2
2. Mast system for SPN22A(63in)	3
3. SPN22A(98in)、SPN22A(118in) and SPN22A(137in) Mast System – Outer Mast	5
4. Inner mast for SPN22A(98in)、SPN22A(118in) and SPN22A(137in)	7
5. Fork Carriage	9
6. Steering system & Wheel Kits	10
7. Hydraulic System	12
8. Electric box.....	14
9. Charger components.....	16
10. Electrical Diagram and Parts.....	18
11. Power pump unit	19

1. Overview



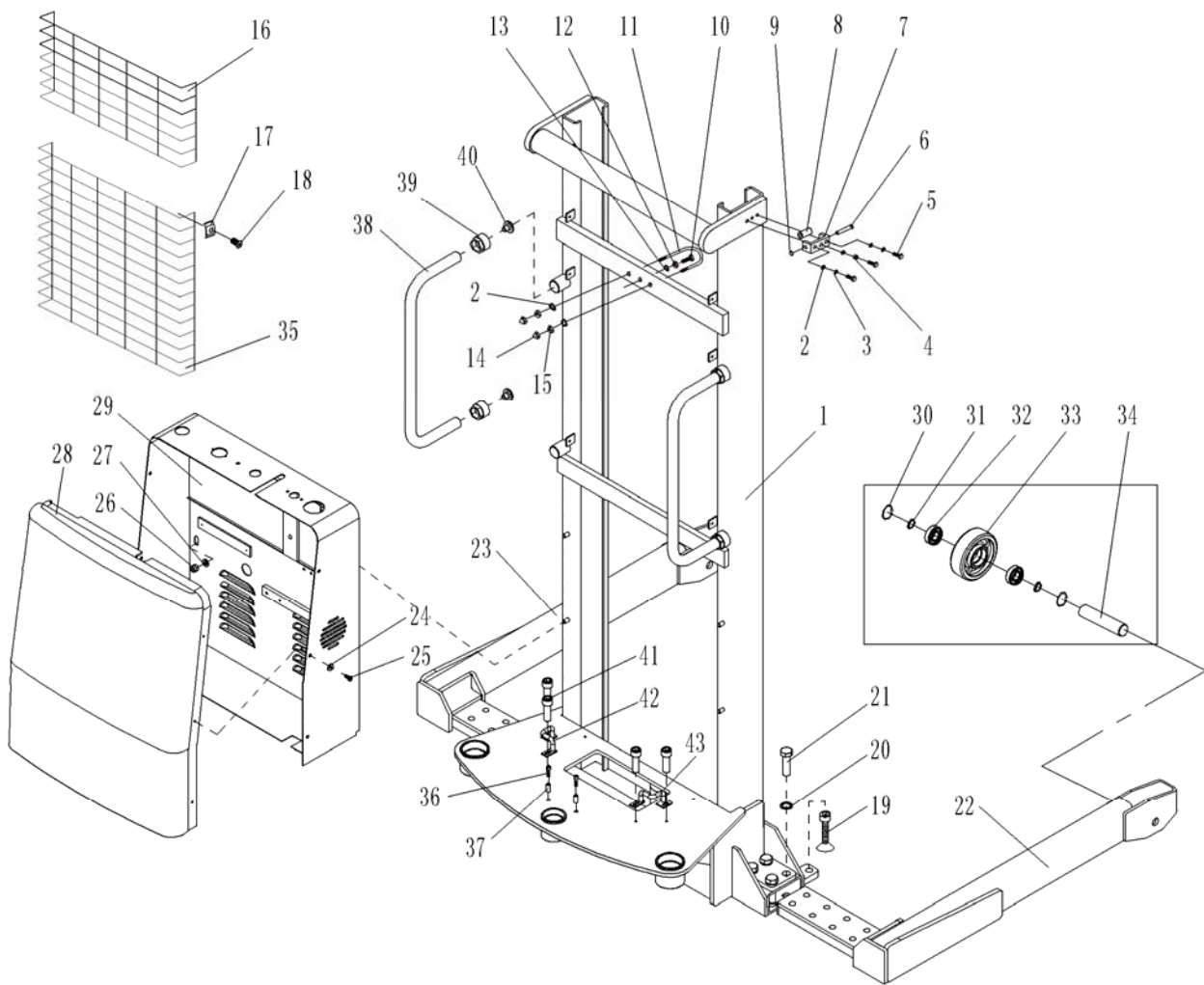
2. Mast system for SPN22A(63in)



No.	Parts No.	Description	Qty.
1	9000013656	Mast	1
2	0000023503	Bolt M10x35	1
3	2500202001	U - bolt	1
4	0000024091	Nut M10	1
5	0000025106	Washer 10	1
6	0000023013	Screw M8X16	1
7	2500502005	Roller block	1
8	0000026009	Retaining ring for hole 47	2
9	0000027001	Bearing 6204	2
10	2500502002	Chain roller	2
11	0000026003	Retaining ring for axle 20	2

12	0000029181	Chain TG190	2
13	2500502007	Link bolt	2
14	0000024087	Nut M14	4
15	0000028104	Split pin 2.5X25	2
16	0000025005	Washer 8	2
17	0000024086	Nut M8	2
18	0000024092	Domed nut M8	2
19	2500537002	Protective Grill	1
20	2240637001	Press washer	6
21	0000023488	M6X16	6
22	2050402002	Leveling screw kit	2
23	0090000142	Lock washer 18	8
24	0090000122	hexagon-headed bolt M18x60	8
25	9000001080	Right straddle leg	1
26	9000001081	Left straddle leg	1
27	0000023604	Screw M6x6	2
28	0000025108	Washer 6	6
29	0000023488	Screw M6X16	6
30	0000024013	Nut M10	4
31	0000025108	Washer 10	4
32	2520303001	Cover	1
33	9000013668	Electric box	1
34	0000026003	Lock ring 20	4
35	1000525001	Washer 20	4
36	0000027001	Bearing 6204	4
37	9000002304	Load roller 5"	2
38	2500502009	Shaft for roller	2
39	0000023099	Screw M10x45	2
40	1070213004	Shaft sleeve	2
41	2500501002	Handle	2
42	2500502008	Nut	4
43	2500523001	Screw	4
44	9000000820	Battery fixing base	1
45	0000023141	Screw M6X16	4
46	9000007287	Battery fixing base(right)	1

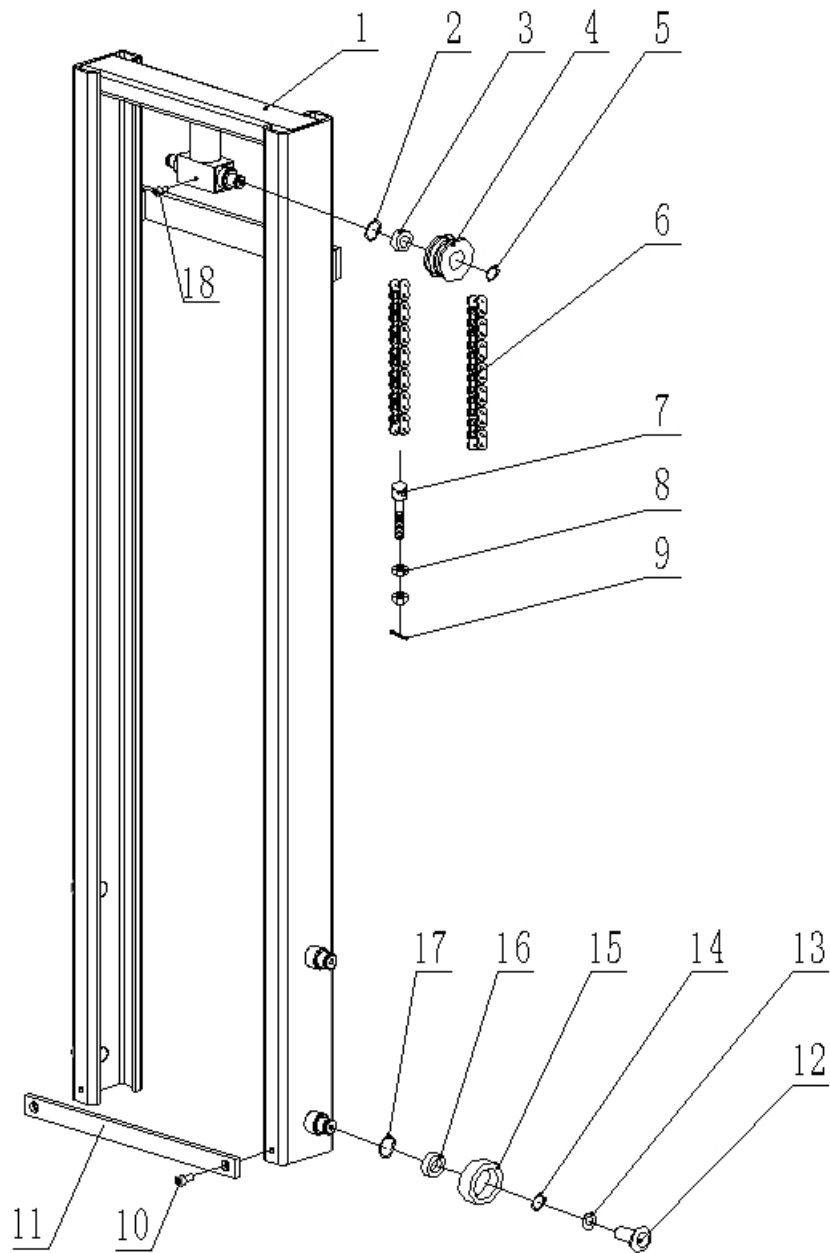
3. SPN22A(98in)、SPN22A(118in) and SPN22A(137in) Mast System – Outer Mast



No.	Parts No.	Description	Qty.
1	9000013674	Mast (SPN22A(98in)) 98"	1
	9000013661	Mast (SPN22A(118in)) 118"	
	9000013673	Mast (SPN22A(137in)) 137"	
2	0000025005	Washer 8	6
3	0000025004	Elastic washer 8	4
4	0000024086	Nut M8	2
5	0000023487	Screw M8X35	6
6	2500507003	Shaft	2
7	2500505003	Seat for roller	2

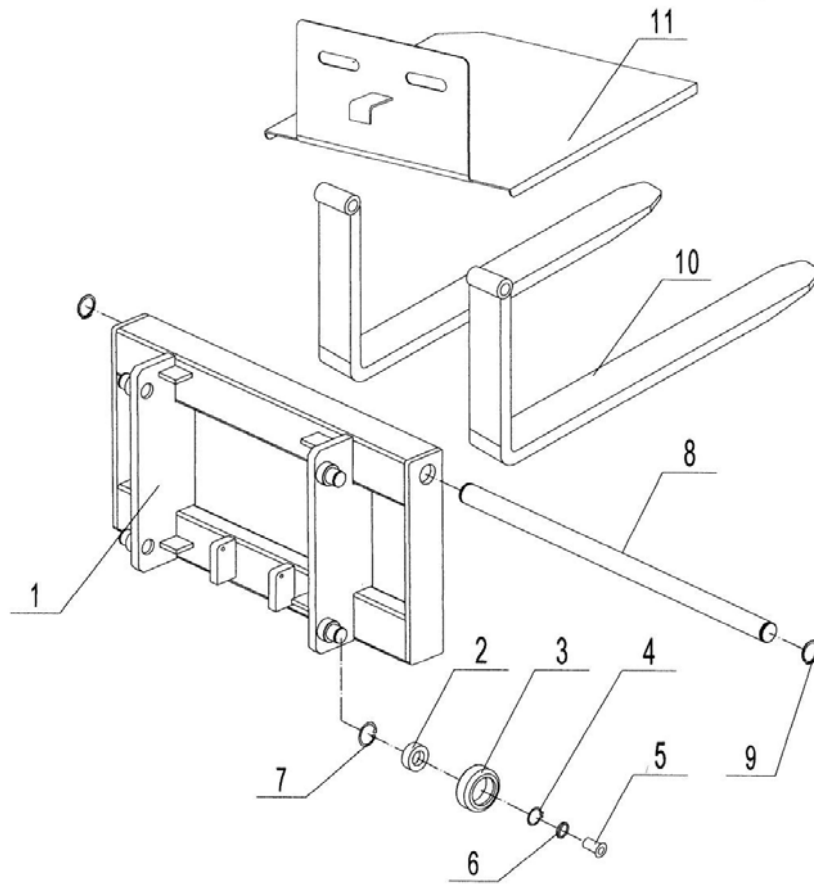
8	2500511002	Guide pulley	2
9	0000026034	Retaining ring 12	2
10	0000023503	Bolt M10x35	1
11	2500202001	U - bolt	1
12	0000024091	Nut M10	1
13	0000025106	Washer 10	1
14	0000024086	Nut M8	2
15	0000024092	Domed nut M8	2
16	2500537007	Protective Grill	1
17	2240637001	Press washer	8
18	0000023488	Screw M6X16	8
19	2050402002	Leveling screw kit	2
20	0090000142	Lock washer 18	8
21	0090000122	hexagon-headed bolt M18x60	8
22	9000001080	Right straddle leg	1
23	9000001081	Left straddle leg	1
24	0000025108	Washer 6	6
25	0000023488	Screw M6X16	6
26	0000024013	Nut M10	4
27	0000025108	Washer 10	4
28	2520303001	Cover	1
29	9000013668	Electric box	1
30	0000026003	Lock ring 20	4
31	1000525001	Washer 20	4
32	0000027001	Bearing 6204	4
33	9000002304	Load roller 5"	2
34	2500502009	Shaft for roller	2
35	2500537001	Protective Grill, 98" height, for SPN22A(98in)	1
	2500537008	Protective Grill, 118" height, for SPN22A(118in)	
	2500537009	Protective Grill, 137" height, for SPN22A(137in)	
36	0000023099	Screw M10x45	2
37	1070213004	Shaft sleeve	2
38	2500501002	Handle	2
39	2500502008	Nut	4
40	2500523001	Screw	4
41	0000023141	Screw M6X16	4
42	9000000820	Battery fixing base	1
43	9000007287	Battery fixing base(right)	1

4. Inner mast for SPN22A(98in)、SPN22A(118in) and SPN22A(137in)



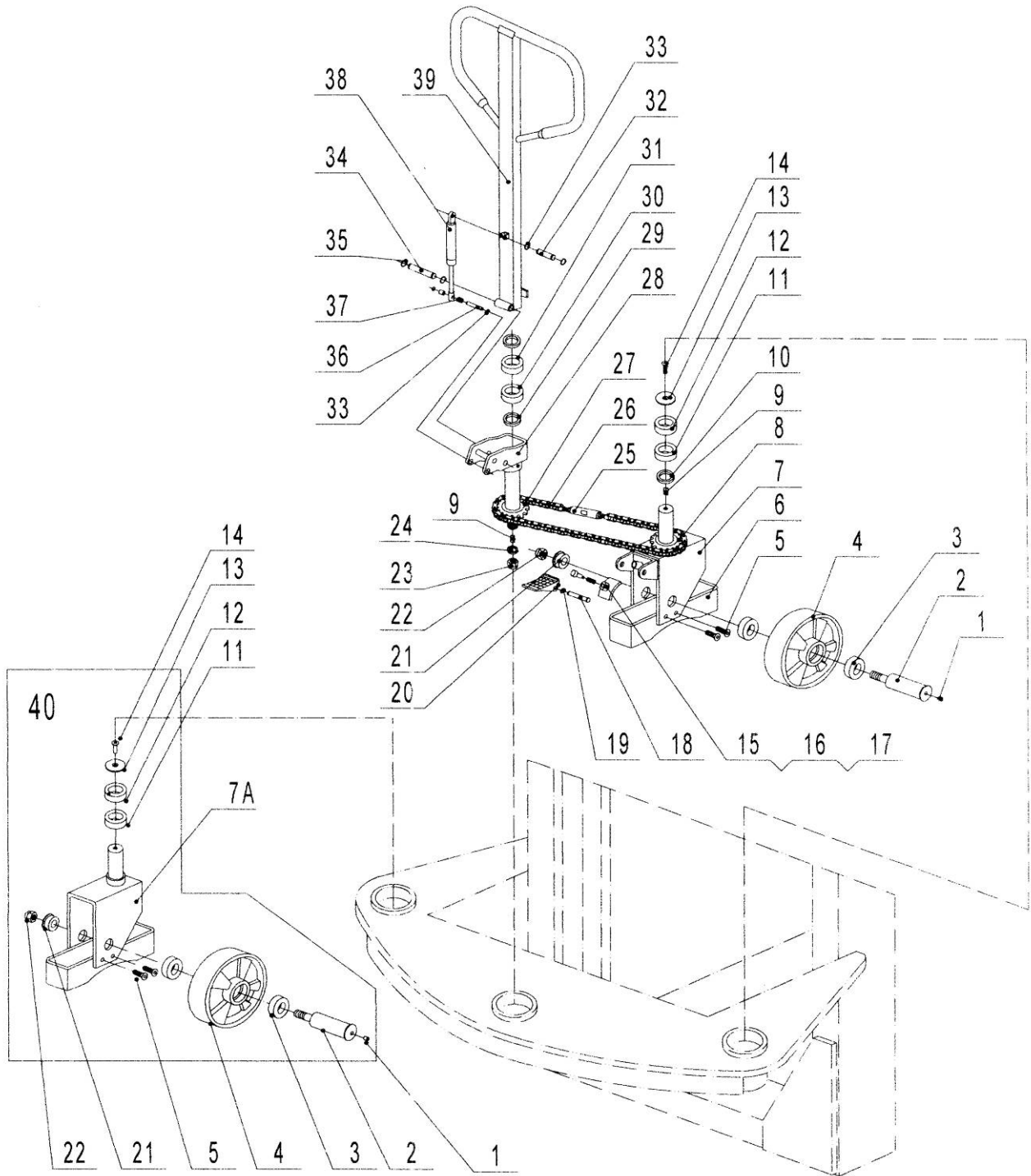
No.	NL. Parts No.	Description	Qty.
1	2500501008	Inner mast(SPN22A(98in)) 98"	1
	2500501009	Inner mast(SPN22A(118in)) 118"	
	2500501021	Inner mast(SPN22A(137in)) 137"	
2	0000026009	Retaining ring for hole 47	2
3	0000027001	Bearing 6204	2
4	2500502002	Chain roller	2
5	0000026003	Retaining ring for axle 20	2
6	0000029268	Chain TG190, for 98" height, SPN22A(98in)	1
	0000029269	Chain TG190, for 118" height, SPN22A(118in)	
	0000029199	Chain TG190, for 137" height, SPN22A(137in)	
7	2500502007	Link bolt	2
8	0000024087	Nut M14	4
9	0000028104	Split pin 2.5X25	2
10	0000023483	Screw M10X20	1
11	2500504001	Connect plate	1
12	2500502003	Washer	4
13	2500525001	Washer	4
14	0000026013	Retaining ring for axle 25	4
15	2500511001	Roller	4
16	0000027011	Bearing 6205	4
17	0000026002	Retaining for hole 52	4
18	0000023013	Screw M8X16	1

5. Fork Carriage



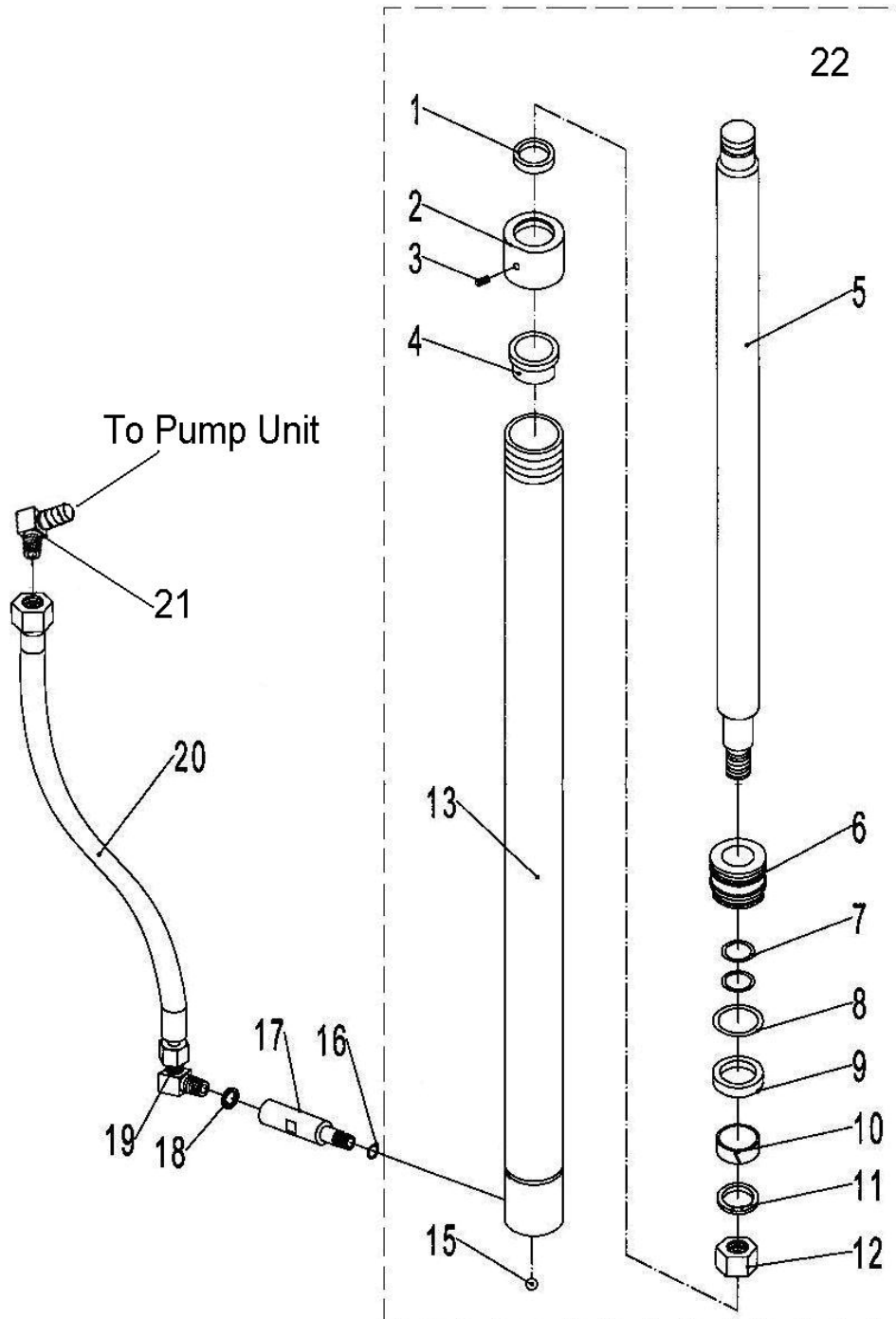
No.	Parts No.	Description	Qty.
1	2500401002	Fork carriage (SPN22A(63in))	1
	2500401003	Fork carriage (SPN22A(98in)、SPN22A(118in) and SPN22A(137in))	
2	0000027011	Bearing 6205	4
3	2500411001	Roller	4
4	0000026013	Retaining ring for axle 25	4
5	2500502003	Washer	4
6	2500525001	Washer	4
7	0000026002	Retaining ring for hole 52	4
8	2500407002	Long shaft	1
9	0000026042	Retaining ring for axle 32	2
10	2500406001	Fork, 4x36"	2
	2500406002	Fork, 4x42"	
11	2500401006	Platform (option) for fork, 4x36"	1
	2500401005	Platform (option) for fork, 4x42"	

6. Steering system & Wheel Kits



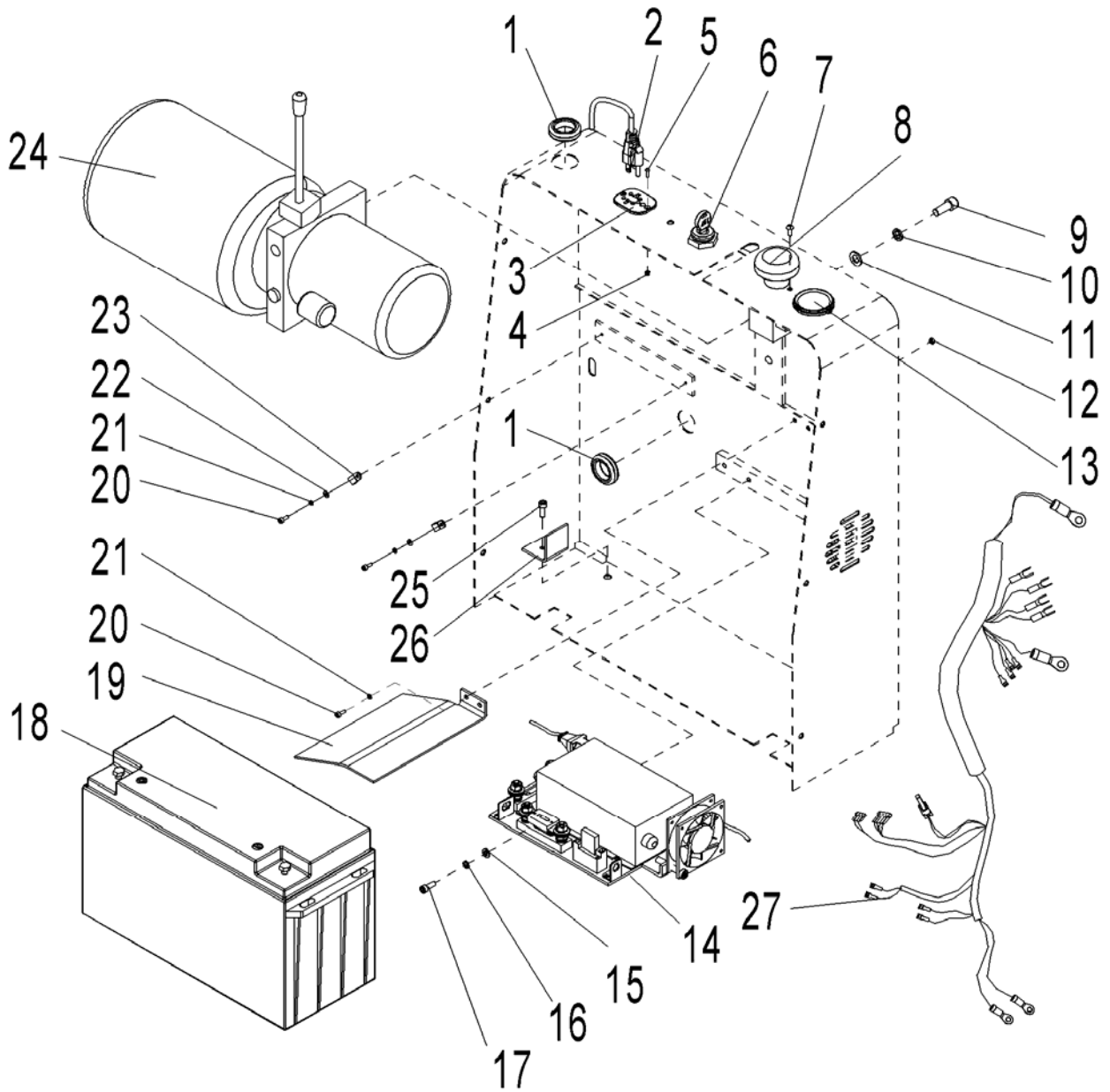
No.	Parts No.	Description	Qty.
1	0000030001	Grease cup 6	2
2	2500507001	Bolt	2
3	0000027001	Bearing 6204	4
4	2500516001	Big wheel Dia.180x50	2
21	2500525002	Washer	2
22	0000024085	Lock nut M12	2
5	0000023484	Screw M6X10	4
6	2500504002	Protect frame	1
7	2500501011	Wheel frame with brake	1
	2500501012	Wheel frame	
8	2500109002	Chain wheel	1
9	0000036010	Flat key C6X6	2
10	2500125002	Washer	1
11	0000027066	Bearing 30206	1
12	0000027012	Bearing 6206	1
13	2500502006	Cover	1
14	0000023489	Screw M10X16	1
15	2500505001	Brake	1
16	2500531001	Spring	1
17	2500523002	Bolt	1
18	2500507002	Axle	1
19	0000026034	Retaining ring for axle 12	1
20	2500505002	Pedal plate	1
23	0000024041	Luck nut M18	1
24	0000025104	Washer 18	1
25	2500100003	Adjust bolt kit	2
26	0000029182	Chain	1
27	2500109001	Chain wheel	1
28	2500101001	Steering seat	1
29	2500125001	Washer	1
30	0000027069	Bearing 30205	1
31	0000027011	Bearing 6205	1
32	2500107001	Shaft	1
33	0000026041	Retaining ring for axle 10	4
34	2500107002	shaft	1
35	0000026034	Retaining ring for axle 12	2
36	2500107003	Shaft	1
37	2500113001	Sleeve	2
38	2500137001	Air spring	1
39	2500100002	Handle	1
40	2500500007	Caster kit	1

7. Hydraulic System



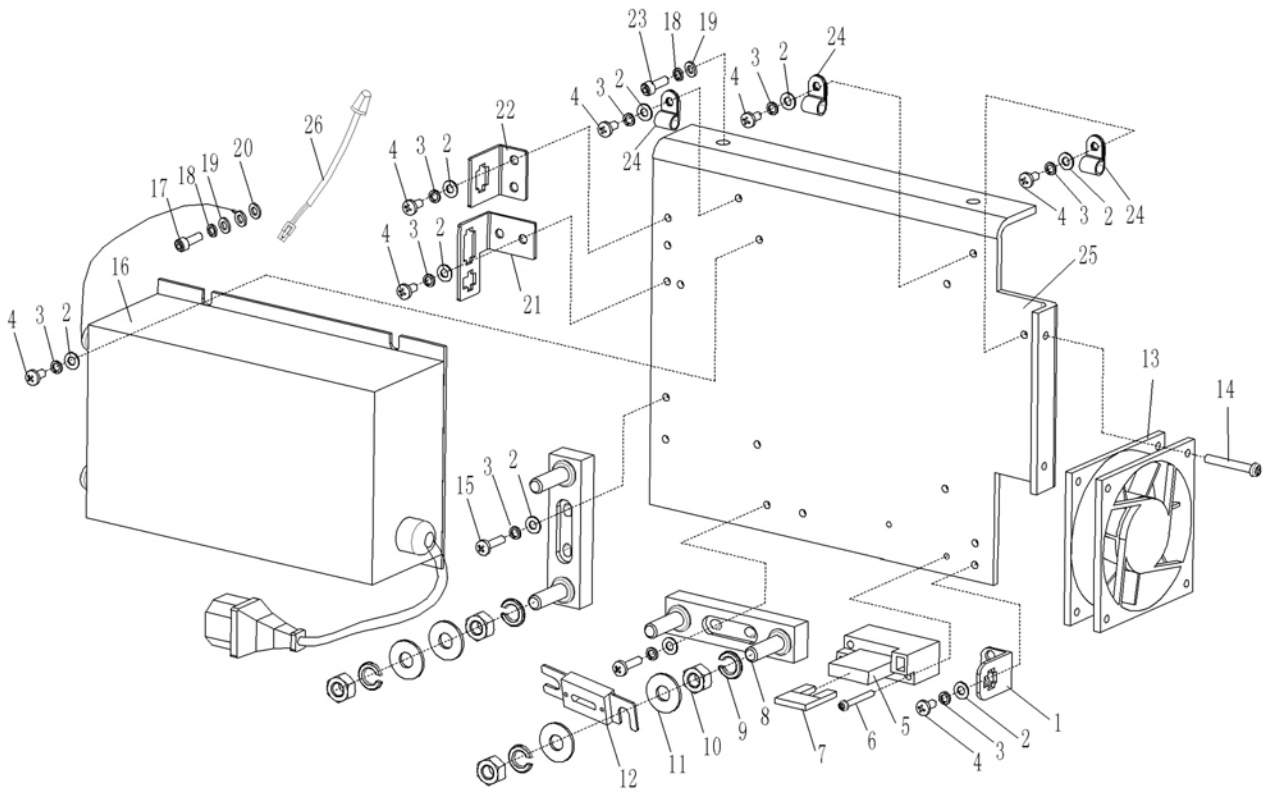
No.	Parts No.	Description	Qty.
1	0000022125	Dust ring 40X48X6.5	1
2	2520202001	Screw cover	1
3	0000023502	Screw M6X6	1
4	1050302003	Sleeve	1
5	2520207001	Piston rod, 63" height	1
	2520207002	Piston rod, 98" height	
	2520207003	Piston rod, 118" height	
	2520207008	Piston rod, 137" height	
6	2520202002	Piston Φ 50	1
7	0000022115	O – ring 32x2.4	2
8	0000022029	O – ring 50x3.1	1
9	0000022116	Y - ring 50X40X6	1
10	2520202003	Holding ring 50X15X2.5	1
11	0000025094	Elastic washer 24	1
12	0000024072	Nut M24X1.5	1
13	2520208001	Cylinder ,63" height	1
	2520208002	Cylinder ,98" height	
	2520208003	Cylinder ,118" height	
	2520208008	Cylinder, 137" height	
15	0000005001	Steel ball 19.05	1
16	0000022118	O – ring 18x2.4	1
17	2520200004	Safety valve	1
18	0000022117	Seal washer 16	1
19	2520202007	Joint	1
20	2520200003	Hydraulic oil hose L=850 M16x1.5	1
21	2500237002	Joint	1
22	2520200006	Hydraulic cylinder for SPN22A(63in), 63" height	1
	2520200012	Hydrocylinder for SPN22A(98in), 98" height	
	2520200005	Hydraulic cylinder for SPN22A(118in), 118" height	
	2520200013	Hydraulic cylinder for SPN22A(137in), 137"height	

8. Electric box



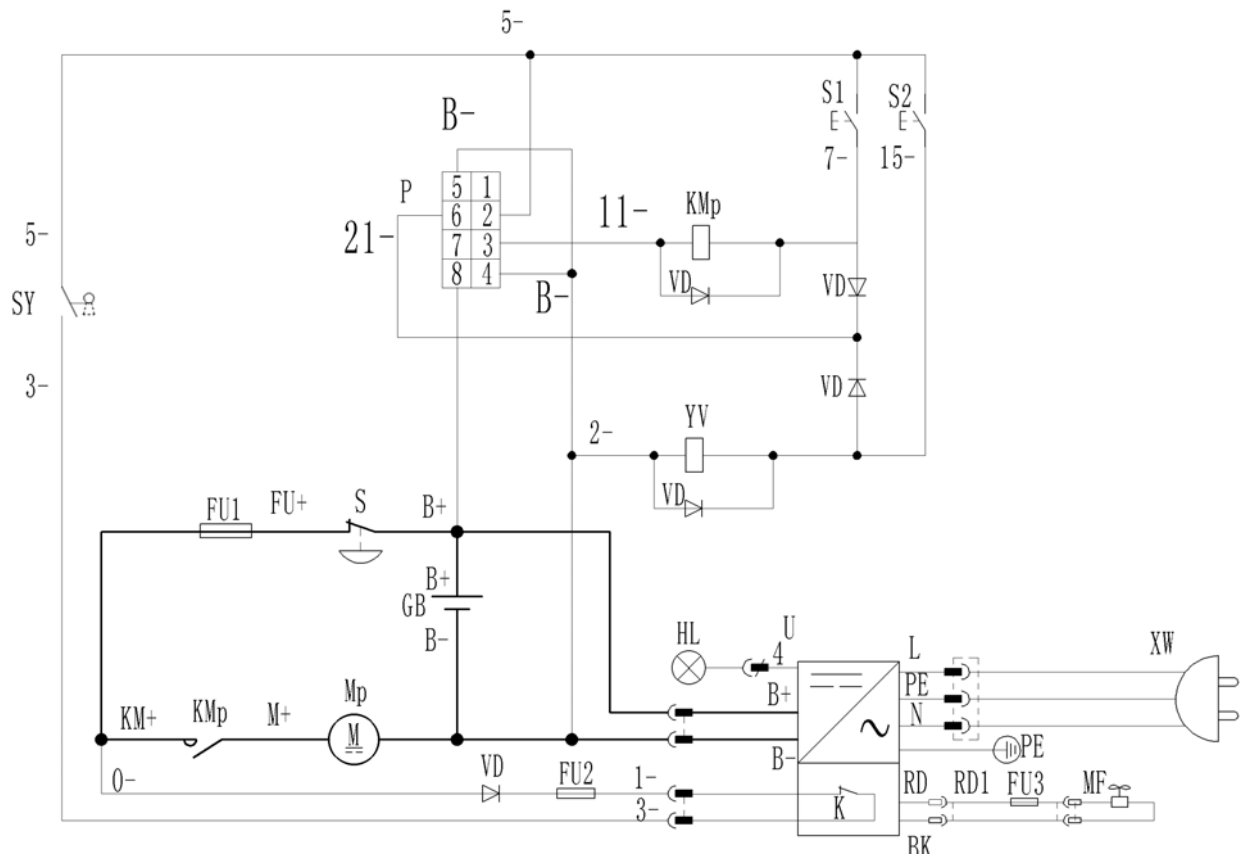
No.	Parts No.	Description	Qty.
1	2210418003	Sheath	2
2	2530334005	Spring cord plug3*0.75(USA)	1
3	1000403001	Connector assembly	1
4	0090000400	Nut M3	2
5	0000023755	Screw M3x10	2
6	2530334002	General key switch LKS-101A	1
7	0000023126	Screw M5x12	2
8	2240434001	DC power switch ZDK31-250	1
9	0000023088	Screw M10x25	2
10	0000023006	Elastic washer 10	2
11	0000025002	Washer 10	2
12	0000023069	Nut M4	2
13	2530334003	Indicator 12V BI1201A(B)	1
14	9000013684	Charger components	1
15	0000025007	Washer 6	2
16	0000025006	Elastic washer 6	2
17	0000023063	Screw M6x16	2
18	2530332001	Battery 12V/150Ah	1
19	9000013663	Charger protective board	1
20	1000123003	Screw M4x8	4
21	0000025018	Elastic washer 4	4
22	0000025019	Washer 4	2
23	9000005742	Cable fixing button UC-1	2
24	2530200009	Pump unit 12V-1.6kw (2.1CC)	1
25	0000023040	Screw M6x16	2
26	9000013662	Battery fixing plate	2
27	9000013665	Main control cable	1

9. Charger components

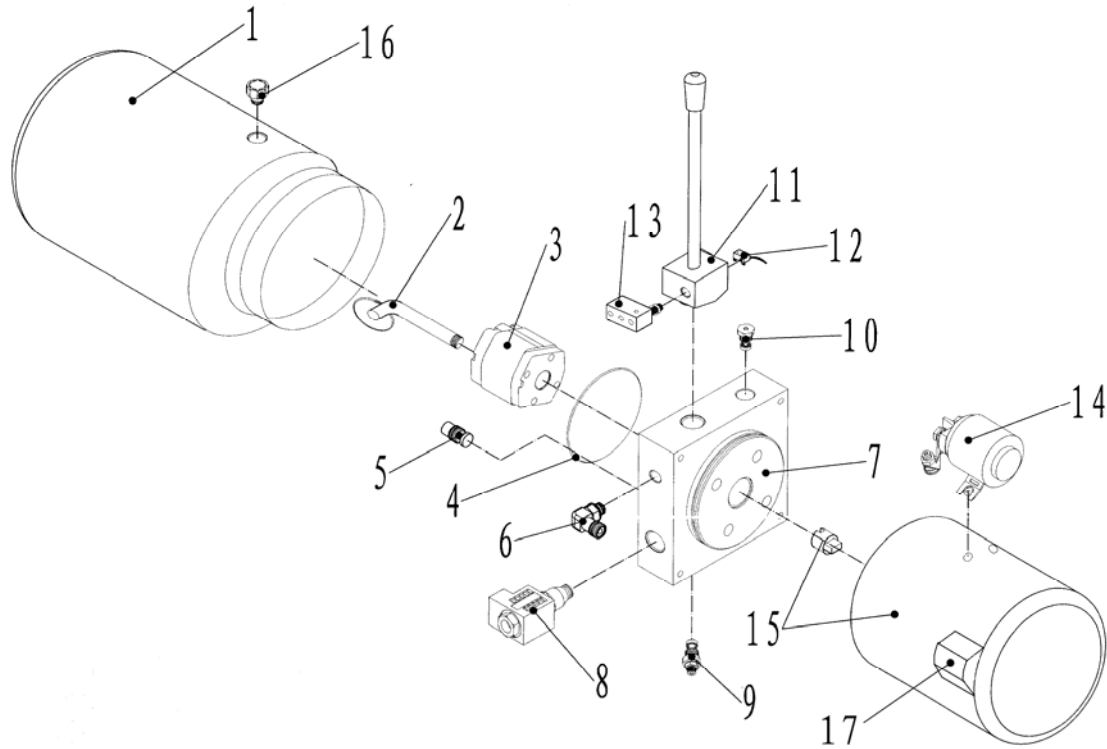


No.	Parts No.	Description	Qty.
1	1010404005	Connector fixing frame(2 core)	1
2	0000025019	Washer 4	17
3	0000025018	Elastic washer 4	17
4	1000123003	Screw M4x8	13
5	1000434021	Fuse seat BD-1X10A	1
6	0000023070	Screw M3x25	2
7	1010434008	Fuse 1A	1
8	1000434007	Fuse seat SYY	2
9	0000025001	Elastic washer 8	8
10	0000024005	Nut M8	8
11	0000025011	Washer 8	8
12	1020434001	Fuse 200A	1
13	1010434007	Fan ADDA DC12V	1
14	0090000082	Screw M4x30	2
15	0000023853	Screw M4x16	4
16	9000013685	Charger 12V/15A QQE180-7CH25-26	1
17	0000023058	Screw M6x10	1
18	0000025006	Elastic washer 6	3
19	0000025007	Washer 6	3
20	1000425002	Washer M6	1
21	1000404005	Connector fixing frame(2+6 core)	1
22	1020418001	Connector fixing frame(4 core)	1
23	0000023040	Screw M6x16	2
24	9000005742	Cable fixing button UC-1	3
25	9000013658	Charger assembly plate	1
26	1000400013	Charger 24V/8A QQE192-8CH17-26A indicator light	1

10. Electrical Diagram and Parts



11. Power pump unit



No.	Parts No.	Description	Qty.
1	2500237006	Oil tank	1
2	2500217001	Suction pipe with filter	1
3	2500237001	Gear pump (2.1CC) for SPN10	1
4	2500222001	O - ring	1
5	2500215001	Flow-control valve(6 L/min) for SPN10	
6	2500237002	Connector	1
7	2530237011	Fix plate for valve	1
8	2530337012	Safety cut off valve	1
9	2500235002	Spillover valve	1
10	2500235003	One way valve	1
11	2530337013	Control stick	1
12	2500214001	Micro switch for lowering	1
13	2500214002	Micro switch for lifting (inside Control valve kit)	1
14	2500214003	Relay for motor	1
15	2500237004	Motor	1
16	2500237005	Reservoir cap	1
17	2530337014	Carbon brush	1