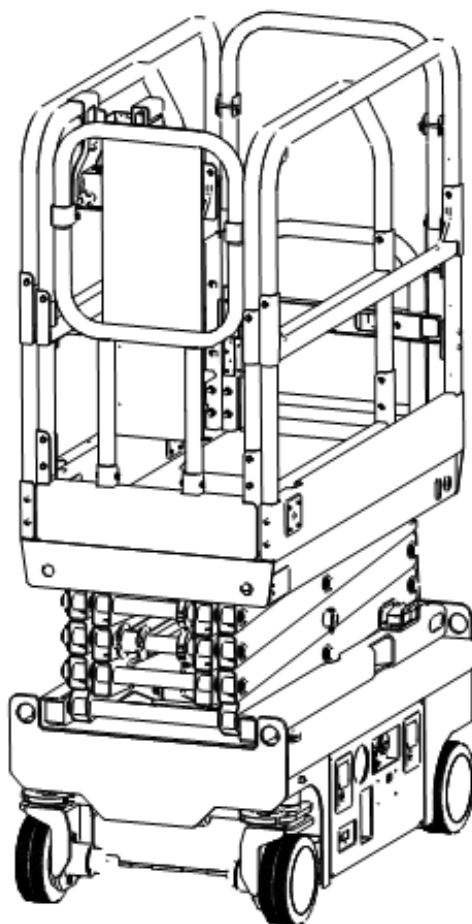


NOBLELIFT

Parts & Components Manual

Scissor lifts

SC05E/SC06E



Version 03/2018

SC06E-BPT-001-EN

Contents

Figure 1	Parts and components of chassis.....	1
Figure 2	Control box assembly	4
Figure 3	Drive rear wheel.....	7
Figure 4	Pothole protection mechanism	8
Figure 5	Steering mechanism	11
Figure 6	Parts and components of scissors (SC05E)	13
Figure 7	Parts and components of scissors (SC06E)	16
Figure 8	Extended platform assembly	19
Figure 9	Main platform assembly.....	21
Figure 10	Hydraulic power unit	24
Figure 11	Platform controller components	26
Figure 12	Pedal lock.....	28
Figure 13	Wiring harness.....	29
Figure 14	Cylinder.....	32
Figure 15	Chassis piping.....	34
Figure 16	Steering Cylinder.....	36
Figure 17	Electronic control module.....	38

Figure 1 Parts and components of chassis

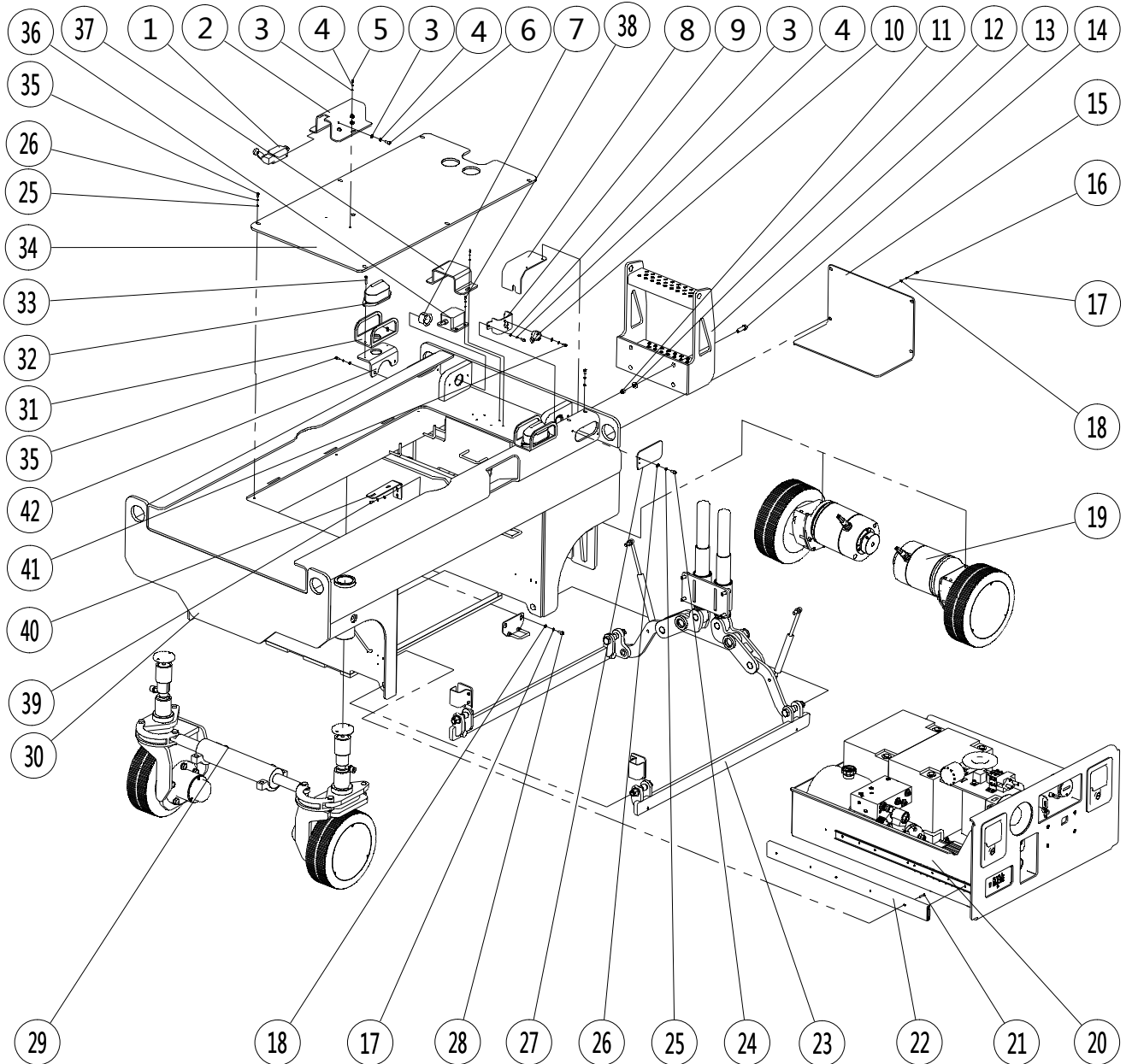


Table 1 Parts and components of chassis

NO.	Art No.	Description	Qty.	Note
1	920200600003	Limit switch	1	
2	609021520043	Limit plate	1	
3	910400500004	Spring washer	10	
4	910400100004	Washer	10	
5	910200300012	Screw	6	
6	910200500038	Screw	4	
7	940500200027	Composite sleeve	2	
8	609021520021	Protecting plate	1	
9	609021520018	Mounting plate	1	
10	921800100018	Angle sensor	1	
11	910300500007	Nut	4	
12	910400100009	Washer	4	
13	609021510001	Pedal ladder	1	
14	910100300064	Bolt	4	
15	609021510002	Protecting plate	1	
16	910200300024	Screw	4	
17	910400500006	Spring washer	8	
18	910400100006	Washer	8	
19	609098520002	Rear wheel	1	Figure 3
20	609010001000	Control box assembly	1	Figure 2
21	910200300016	Screw	12	
22	940801600001	Slide rail	2	
23	609019501000	Pothole Protection mechanism	1	Figure 4
24	910200300017	Screw	4	
25	910400500005	Spring washer	14	
26	910400100005	Washer	14	
27	609021520036	Protecting plate	2	
28	910200200053	Screw	4	
29	609016001000	Steering mechanism	1	Figure 5
30	609021510000	Chassis	1	
31	602035520000	Protecting plate	2	
32	602036510000	Warning light	2	

NOBLELIFT

33	910200500026	Screw	4	
34	609021520022	Veil	1	
35	910200300018	Screw	10	
36	602533510000	Sensor	1	
37	609021520037	Limit plate	1	
38	910200200022	Screw	4	
39	910200200024	Screw	2	
40	609021520039	Mounting plate	1	
41	910200200027	Screw	2	
42	609021520038	Fixed seat	2	

Figure 2 Control box assembly

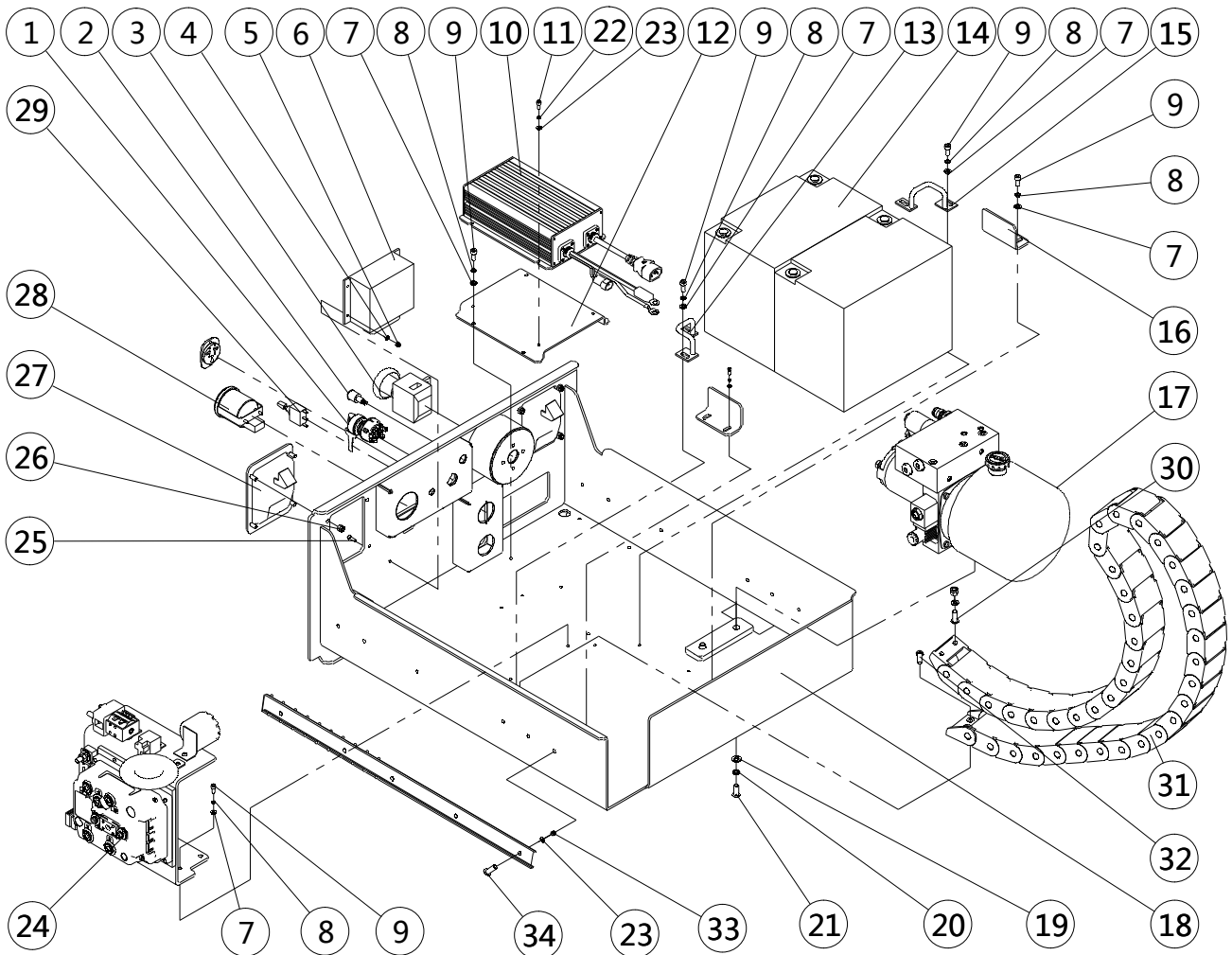


Table 2 Control box assembly

NO.	Art No.	Description	Qty.	Note
1	920200200005	Key switch	1	
2	606033510000	Switch	1	
3	920200100004	Emergency stop switch	1	
4	910400100003	Washer	4	
5	910300500001	Nut	4	
6	921400100022	Controller	1	
7	910400100005	Washer	16	
8	910400500005	Spring washer	16	
9	910200200034	Screw	16	
10	921000100044	Charger	1	
11	910200200021	Screw	4	
12	609010020005	Plate	1	
13	401737010001	Fixed seat	1	
14	920600100001	Battery	2	
15	401737010000	Fixed seat	1	
16	609010020004	Fixed plate	2	
17	950900100040	Hydraulic power unit	1	Figure 10
18	609010010000	Control box	1	
19	910400100007	Washer	2	
20	910400500007	Spring washer	2	
21	910200300029	Screw	2	
22	910400500004	Spring washer	4	
23	910400100004	Washer	16	
24	609033010009	Electronic control module	1	Figure 17
25	910200600008	Screw	4	
26	910300500003	Nut	8	
27	940800300001	Panel lock	2	
28	921100100017	Meter	1	
29	920200700005	Button switch	1	
30	910200400012	Screw	2	
31	609010020009	Drag chain	1	
32	910200400010	Screw	2	

NOBLELIFT

33	910300500002	Nut	12	
34	910200300013	Screw	10	

Figure 3 Drive rear wheel

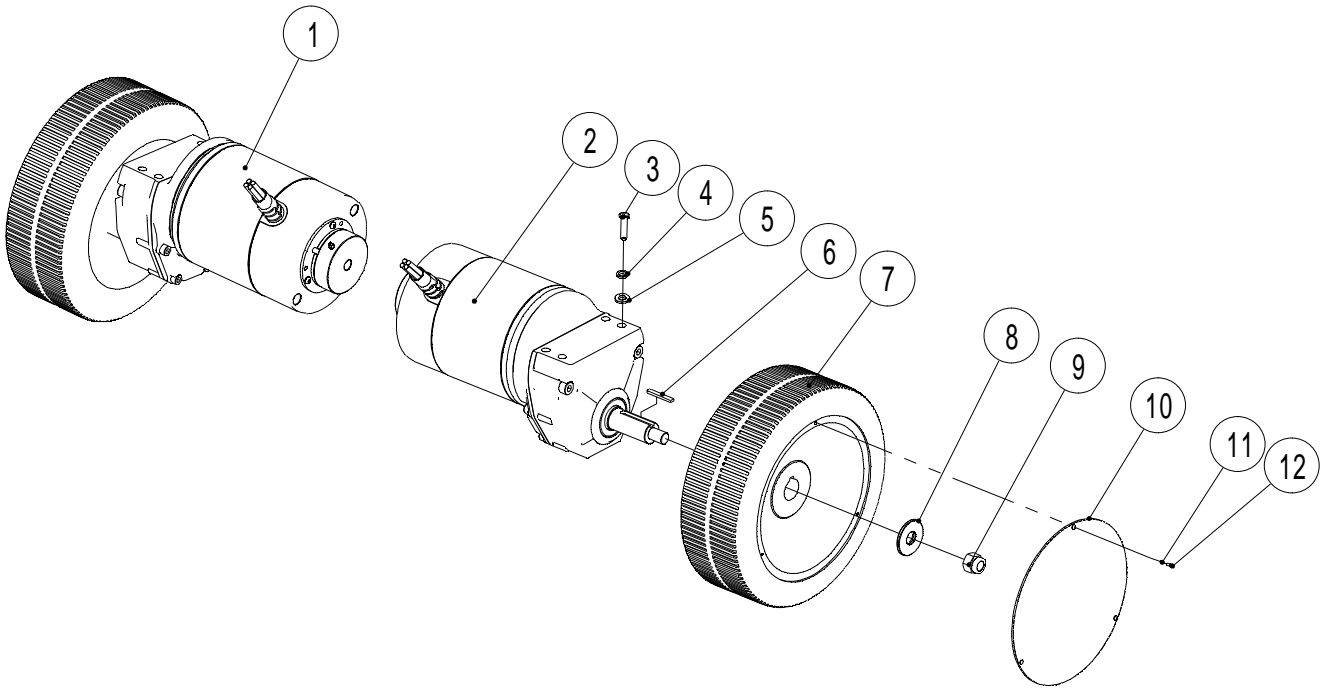


Table 3 Drive rear wheel

NO.	Art No.	Description	Qty.	Note
1	940900100007	Drive assembly	1	Right
2	940900100006	Drive assembly	1	Left
3	941100400007	Bolt	8	
4	910400500007	Spring washer	8	
5	910400100007	washer	8	
6	910600800016	Key	2	
7	940300400010	Driving wheel	2	
8	910400200005	Washer	2	
9	910300500006	Nut	2	
10	609016020000	Cover plate	2	
11	910400500003	Spring washer	6	
12	910200500021	Screw	6	

Figure 4 Pothole protection mechanism

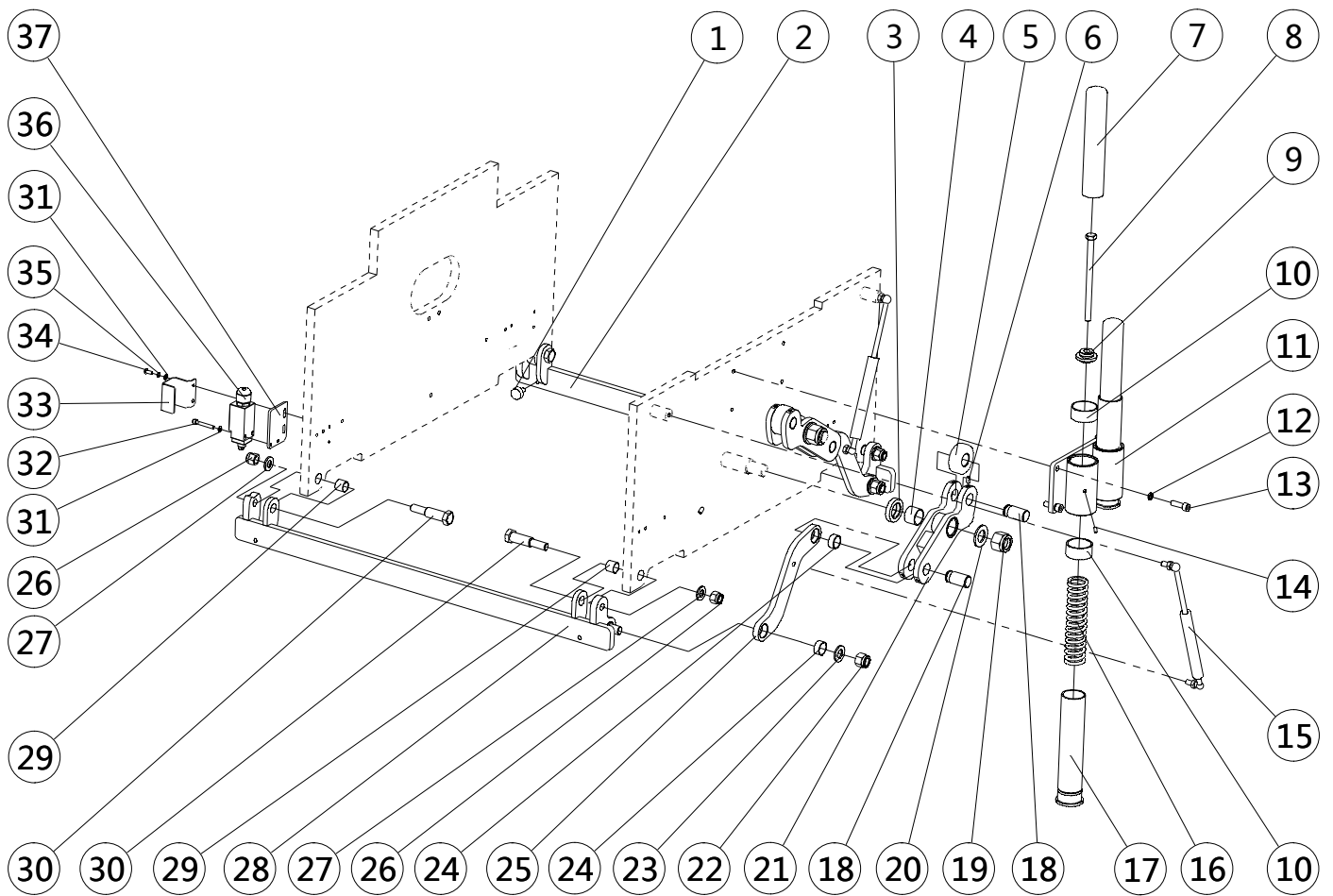


Table 4 Pothole protection mechanism

NO.	Art No.	Description	Qty.	Note
1	602019520021	Cushion pad	4	
2	609019510004	Support plate	1	
3	602019520005	Washer	2	
4	940500100056	Composite sleeve	2	
5	602019520009	Roller	2	
6	910200900009	Screw	4	
7	609019520018	Press rod	2	
8	941100400003	Screw	2	
9	602019520029	Gland	2	
10	940500100040	Composite sleeve	4	
11	600519510002	Guide sleeve	1	
12	910400500006	Spring washer	4	
13	910200200058	Screw	4	
14	911200100002	Oil cup	2	
15	940400100034	Air spring	2	
16	600519520004	Spring	2	
17	602019520030	Press rod sleeve	2	
18	602019520011	Pin shaft	4	
19	910300500010	Nut	2	
20	910400100012	Washer	2	
21	609019510001	Connecting rod	2	
22	910300500007	Nut	2	
23	910400100009	Washer	2	
24	940500100006	Composite sleeve	4	
25	609019520001	Connecting rod	2	
26	910300500006	Nut	4	
27	910400100008	Washer	4	
28	609019510000	Support plate	1	
29	940500100014	Composite sleeve	4	
30	605519520008	Pin shaft	4	
31	910400100004	Washer	8	
32	910200200027	Screw	4	

33	602019520020	Protection cover	2	
34	910200300012	Screw	4	
35	910400500004	Spring washer	8	
36	920200600005	Limit switch	2	
37	602019520022	Fixed plate	2	

Figure 5 Steering mechanism

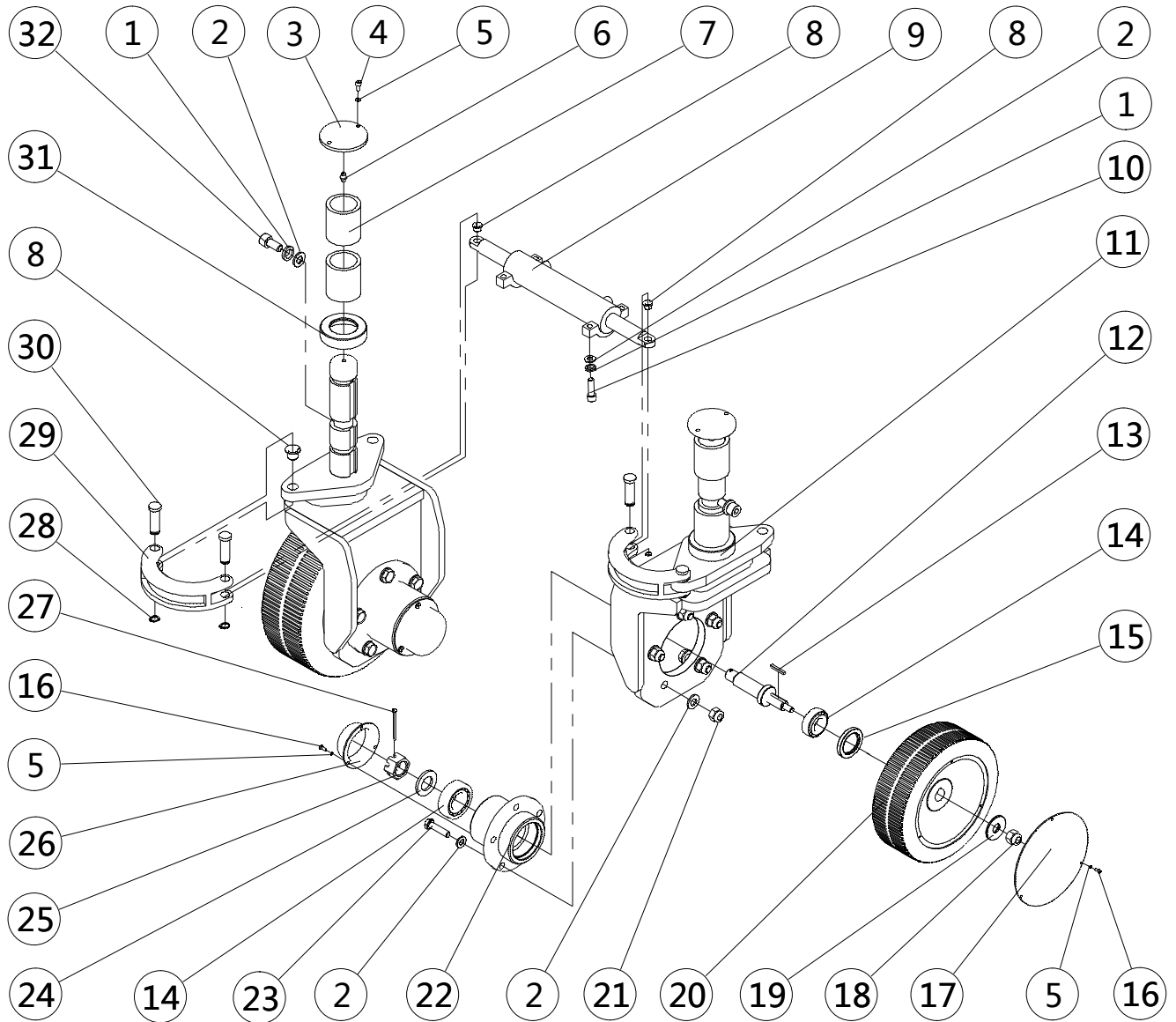


Table 5 Steering mechanism

NO.	Art No.	Description	Qty.	Note
1	910400500007	Spring washer	6	
2	910400100007	Washer	22	
3	605516020001	End cover	2	
4	910200300008	Screw	4	
5	910400500003	Spring washer	16	
6	911200100002	Oil cup	2	
7	940500300004	Bearing	4	
8	940500200021	Composite sleeve	4	
9	609023501004	Hydraulic cylinder	1	Figure 16
10	910200300032	Screw	4	
11	609016010000	Wheel carrier	2	
12	609016020001	Shaft	2	
13	910600800016	key	2	
14	910700600026	Bearing	4	
15	910800700005	Skeleton oil seal	2	
16	910200500021	Screw	12	
17	609016020000	Cover	2	
18	910300500006	Nut	2	
19	910400200005	Washer	2	
20	940300400010	Driving wheel	2	
21	910300100007	Nut	10	
22	609016020002	Connection disk	2	
23	910100100032	Bolt	10	
24	910400100014	Washer	2	
25	910301600001	Nut	2	
26	604521520004	Cover	2	
27	910600600045	Pin	2	
28	910401700003	Collar	4	
29	605516020008	Connecting rod	2	
30	605516020009	Pin shaft	4	
31	605516020000	Washer	2	
32	910200200075	Screw	2	

Figure 6 Parts and components of scissors (SC05E)

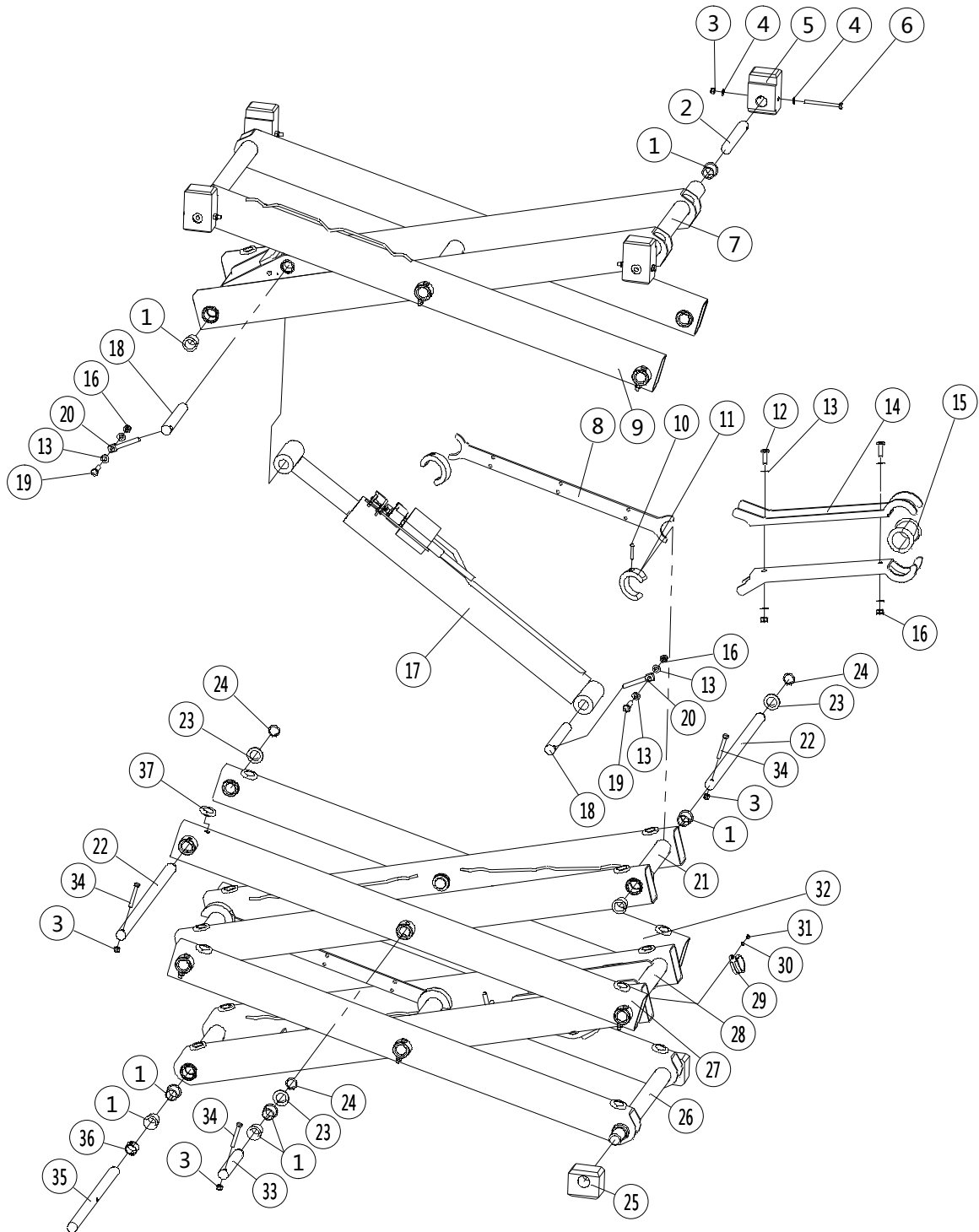


Table 6 Parts and components of scissors

NO.	Art No.	Description	Qty.	Note
1	940500200026	Sleeve	22	
2	609053020013	Shaft	4	
3	910300500004	Nut	13	
4	910400100006	Washer	4	
5	609053020020	Slider	4	
6	910100100030	Bolt	4	
7	608053010001	Scissors	1	
8	609053020018	Fixed plate	2	
9	609053010009	Scissors	1	
10	910200600023	Screw	4	
11	609053020028	Clamp	4	
12	910100300037	Bolt	2	
13	910400100007	Washer	8	
14	609053020031	Support arm	2	
15	609053020029	Bearing bush	2	
16	910300500005	Nut	4	
17	609023501005	Cylinder	1	Figure 14
18	609053020017	Shaft	2	
19	910100100039	Bolt	2	
20	602053020041	Pin shaft	2	
21	609053010002	Scissors	1	
22	609053020014	Shaft	6	
23	609053020030	Washer	8	
24	910401600002	Collar	8	
25	609053020019	Slider	2	
26	609053010005	Scissors	1	
27	609053010006	Scissors	2	
28	609053010001	Scissors	1	
29	951000100004	Pipe clamp	1	
30	910400500004	Spring	1	
31	910200200021	Screw	3	

NOBLELIFT

32	609053010007	Scissors	1	
33	609053020015	Shaft	2	
34	910100100026	Bolt	9	
35	609053020016	Shaft	1	
36	609053020035	Mounting seat	1	
37	602053020038	Cushion pad	16	

Figure 7 Parts and components of scissors (SC06E)

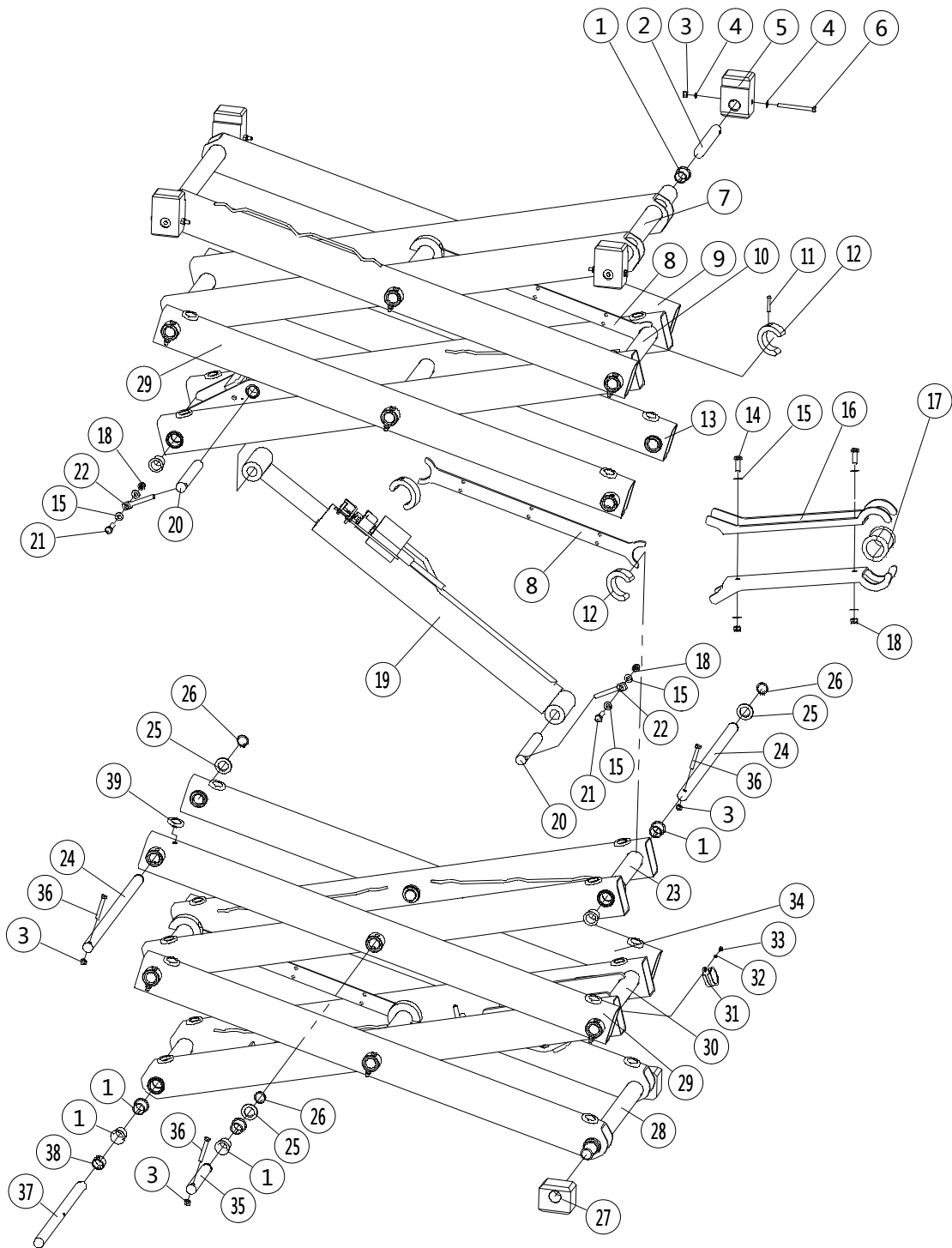


Table 7 Parts and components of scissors

NO.	Art No.	Description	Qty.	Note
1	940500200026	Sleeve	24	
2	609053020013	Shaft	4	
3	910300500004	Nut	15	
4	910400100006	Washer	4	
5	609053020020	Slider	4	
6	910100100030	Bolt	4	
7	609053010004	Scissors	1	
8	609053020018	Fixed plate	3	
9	609053010009	Scissors	1	
10	609053010003	Scissors	1	
11	910200300021	Screw	12	
12	609053020028	Clamp	6	
13	609053010008	Scissors	1	
14	910100300037	Bolt	2	
15	910400100007	Washer	9	
16	609053020031	Support arm	2	
17	609053020029	Bearing bush	2	
18	910300500005	Nut	4	
19	609023501005	Cylinder	1	Figure 14
20	609053020017	Shaft	2	
21	910100100039	Bolt	2	
22	602053020041	Pin shaft	2	
23	609053010002	Scissors	1	
24	609053020014	Shaft	9	
25	609053020030	Washer	11	
26	910401600002	Collar	11	
27	609053020019	Slider	2	
28	609053010005	Scissors	1	
29	609053010006	Scissors	2	
30	609053010001	Scissors	1	
31	951000100004	Pipe clamp	1	

NOBLELIFT

32	910400500004	Spring	1	
33	910200200021	Screw	3	
34	609053010007	Scissors	1	
35	609053020015	Shaft	2	
36	910100100026	Bolt	11	
37	609053020016	Shaft	1	
38	609053020035	Mounting seat	1	
39	602053020038	Cushion pad	24	

Figure 8 Extended platform assembly

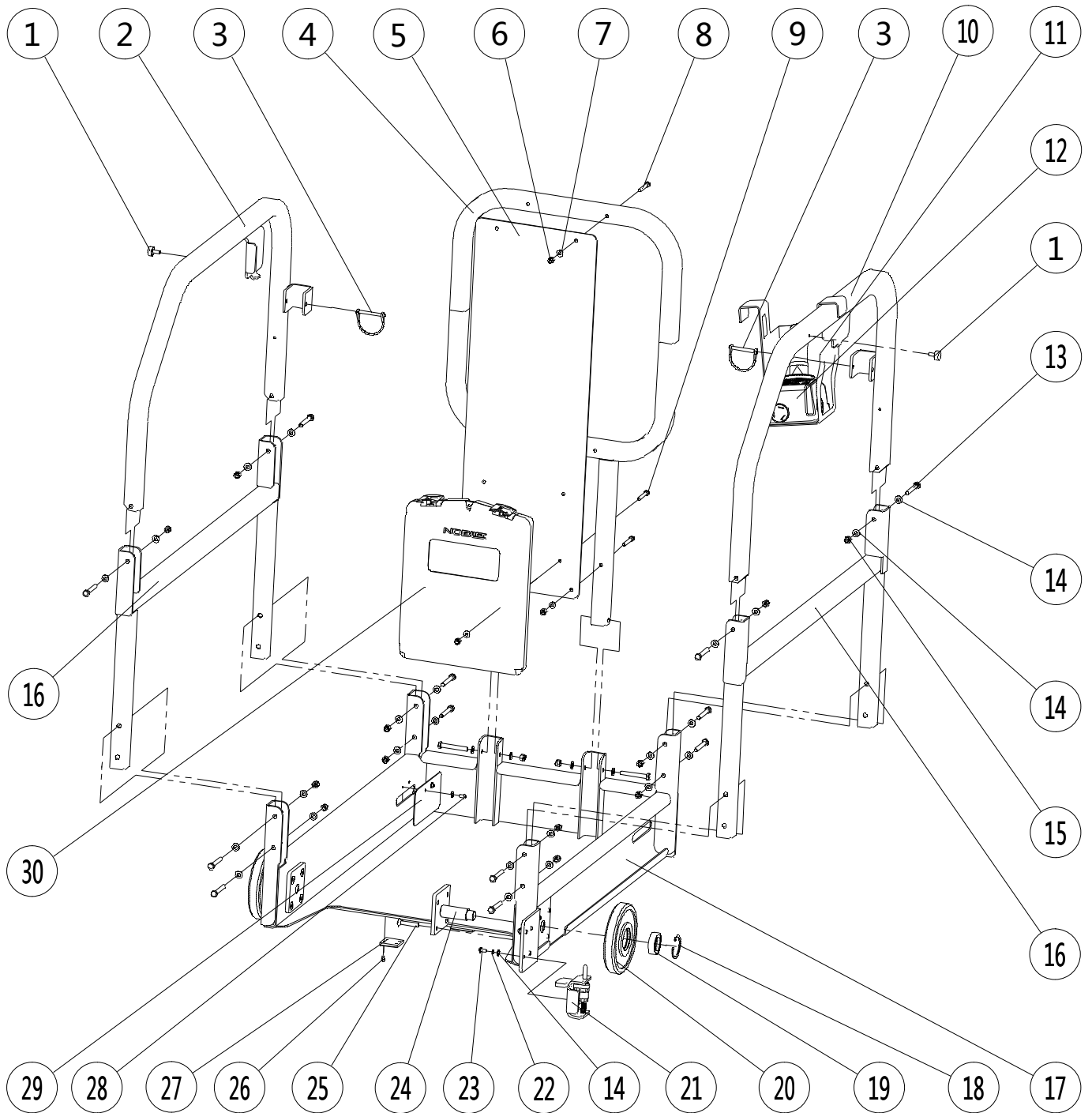


Table 8 Extended platform assembly

NO.	Art No.	Description	Qty.	Note
1	602019520021	Cushion pad	2	
2	609053510003	Rail	1	
3	602053501003	Steel wire sleeve	2	
4	609053510005	Rail	1	
5	605553520024	Hanging Plate	1	
6	910300500003	Nut	8	
7	910400100005	Washer	12	
8	910100100014	Bolt	4	
9	910100300011	Bolt	4	
10	609053510004	Rail	1	
11	602011010000	Hanging Plate	1	
12	921400100023	Controller	1	Figure 11
13	910100100026	Bolt	10	
14	910400100006	Washer	28	
15	910300500004	Nut	14	
16	609053510006	Rail	2	
17	609053510002	Extended platform	1	
18	910401400013	Collar	2	
19	910700200019	Bearing	2	
20	602053520073	Roller	2	
21	600553501001	Pedal lock	1	Figure 12
22	910400500006	Spring washer	4	
23	910200300024	Screw	4	
24	602053510009	Mounting seat	2	
25	910200400031	Screw	8	
26	910200200032	Screw	8	
27	602053520066	Steeping	2	
28	910200300016	Screw	4	
29	602053520086	Plate	2	
30	602053520065	File box	1	

Figure 9 Main platform assembly

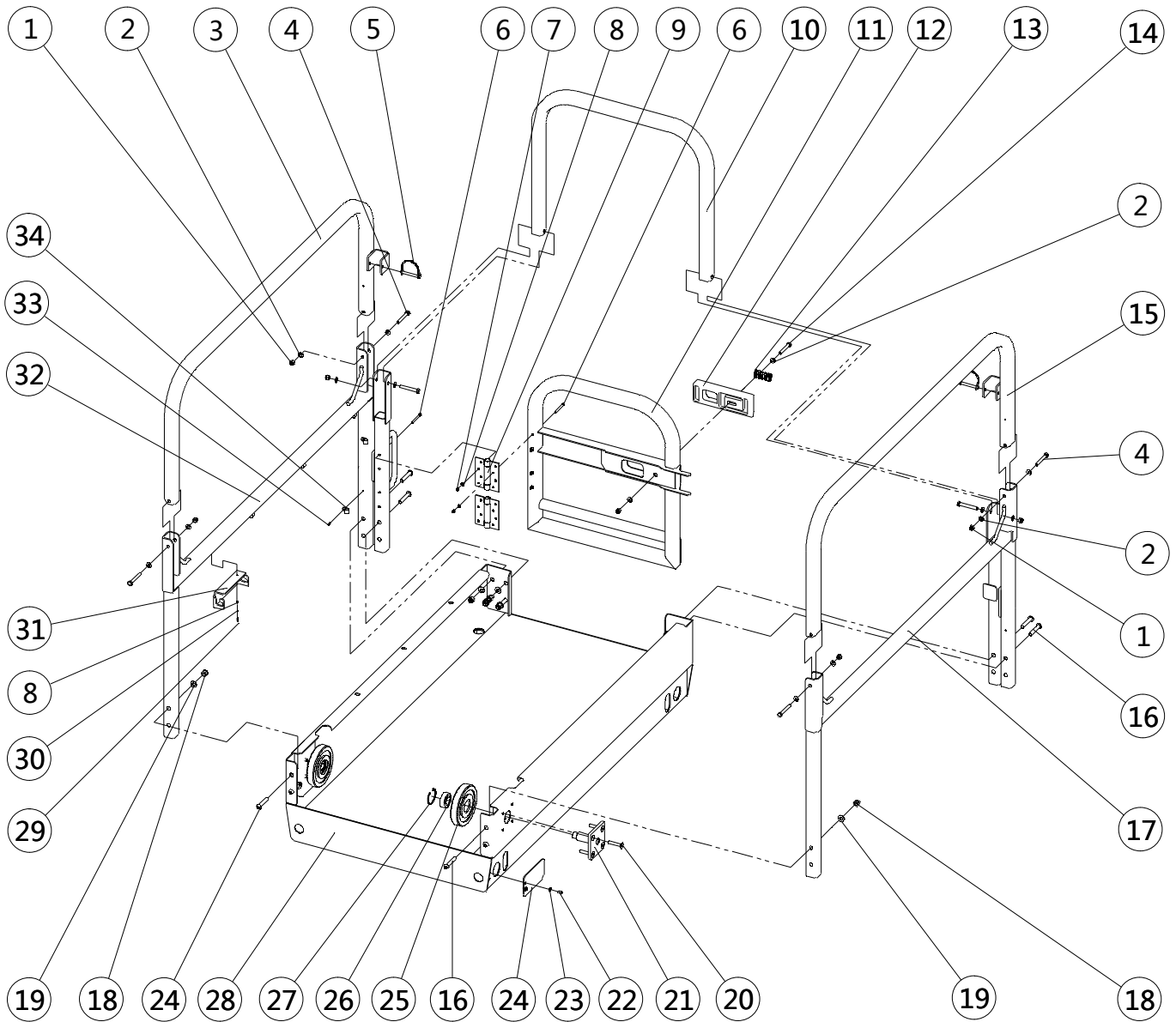


Table 9 Main platform assembly

NO.	Art No.	Description	Qty.	Note
1	910300500004	Nut	7	
2	910400100006	Washer	14	
3	609053510012	Rail	1	
4	910100100026	Bolt	6	
5	602053501003	Steel wire sleeve	2	
6	910100100007	Bolt	8	
7	910300500002	Nut	8	
8	910400100004	Washer	10	
9	940801100001	Hinge	2	
10	609053520025	Doorframe square pipe	1	
11	609053510013	Doorframe	1	
12	602053520036	Door lock	1	
13	602053520037	Spring	1	
14	910100100025	Bolt	1	
15	609053510011	Rail	1	
16	941100100002	Screw	10	
17	609053510007	Rail	8	
18	910300300005	Nut	8	
19	910400100007	Washer	8	
20	910200400031	Screw	8	
21	602053510009	Mounting seat	2	
22	910200300016	Screw	4	
23	910400100005	Washer	4	
24	602053520085	Protecting plate	2	
25	602053520072	Roller	2	
26	910700200019	Bearing	2	
27	910401400013	Collar	2	
28	609053510001	Main platform	1	
29	910200500044	Screw	2	
30	910400500004	Washer	2	
31	609053520050	Fixed plate	1	

32	609053510008	Rail	1	
33	910200500036	Screw	5	
34	921300200001	Fixed parts	5	

Figure 10 Hydraulic power unit

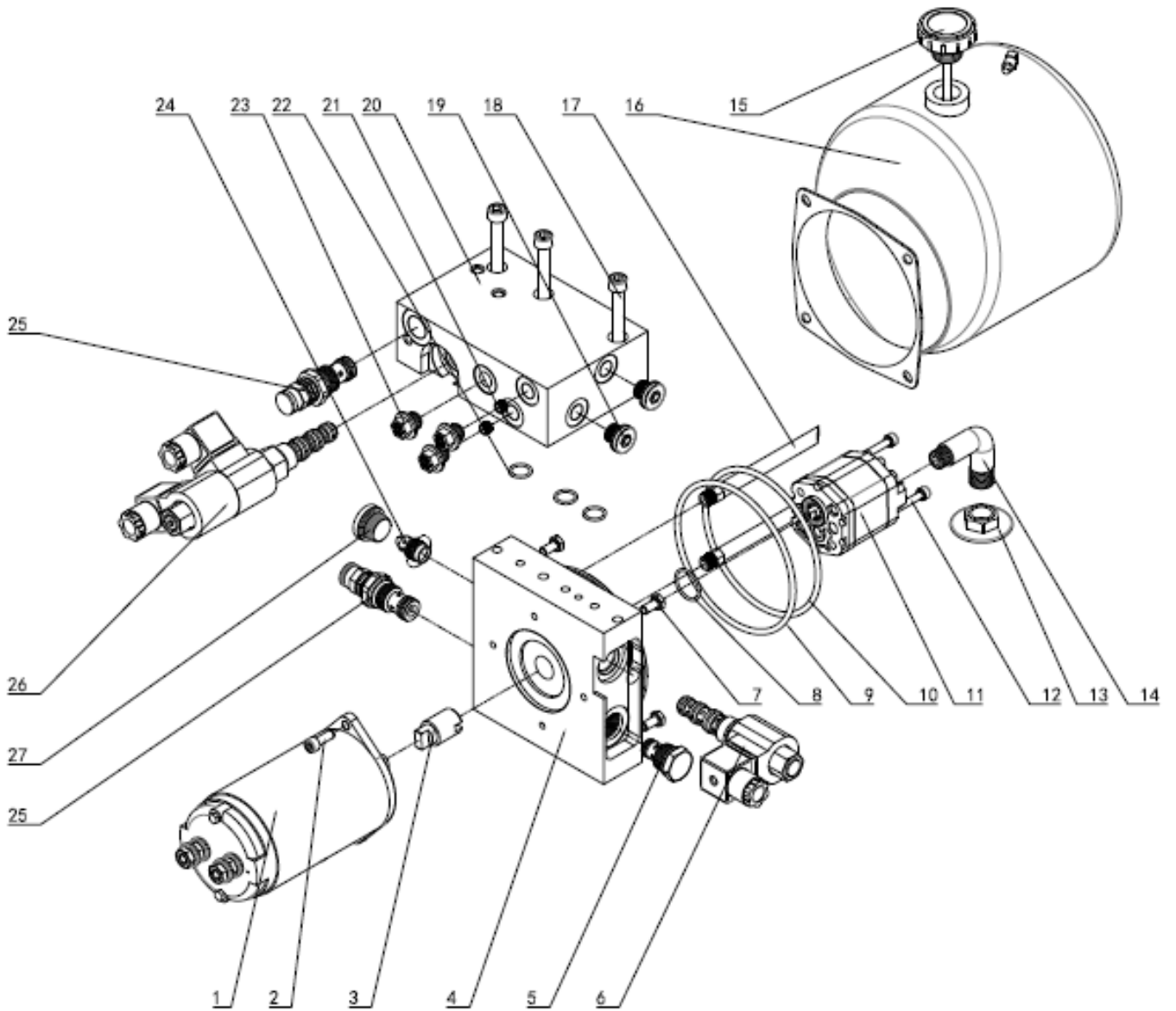


Table 10 Hydraulic power unit

NO.	Art No.	Description	Qty.	Note
1	20102408021	Motor	1	
2	70800200103	Screw	2	
3	70100100115	Coupling	1	
4	30100250901	Valve	1	
5	60100110100	One-way valve	1	
6	60131110300	Solenoid valve	1	
7	70812100101	Bolt	4	
8	70610800119	O-rings	1	
9	70612000101	O-rings	1	
10	70611000102	O-rings	1	
11	10111001000	Pump	1	
12	70800100104	Bolt	2	
13	50300200103	Screen	1	
14	70200300103	Suction pipe	1	
15	50300100202	Cover	1	
16	50103011407	Oil tank	1	
17	70200600108	Return pipe	2	
18	70800300109	Screw	3	
19	70410100101	Plug	2	
20	30200201305	Transition block	1	
21	60302001205	Screw	2	
22	70610800116	O-rings	3	
23	70412300101	Plug	3	
24	60100801800	Valve	1	
25	60120110400	Valve	2	
26	60131220200	Valve	1	
27	70410500101	Plug	1	

Figure 11 Platform controller components

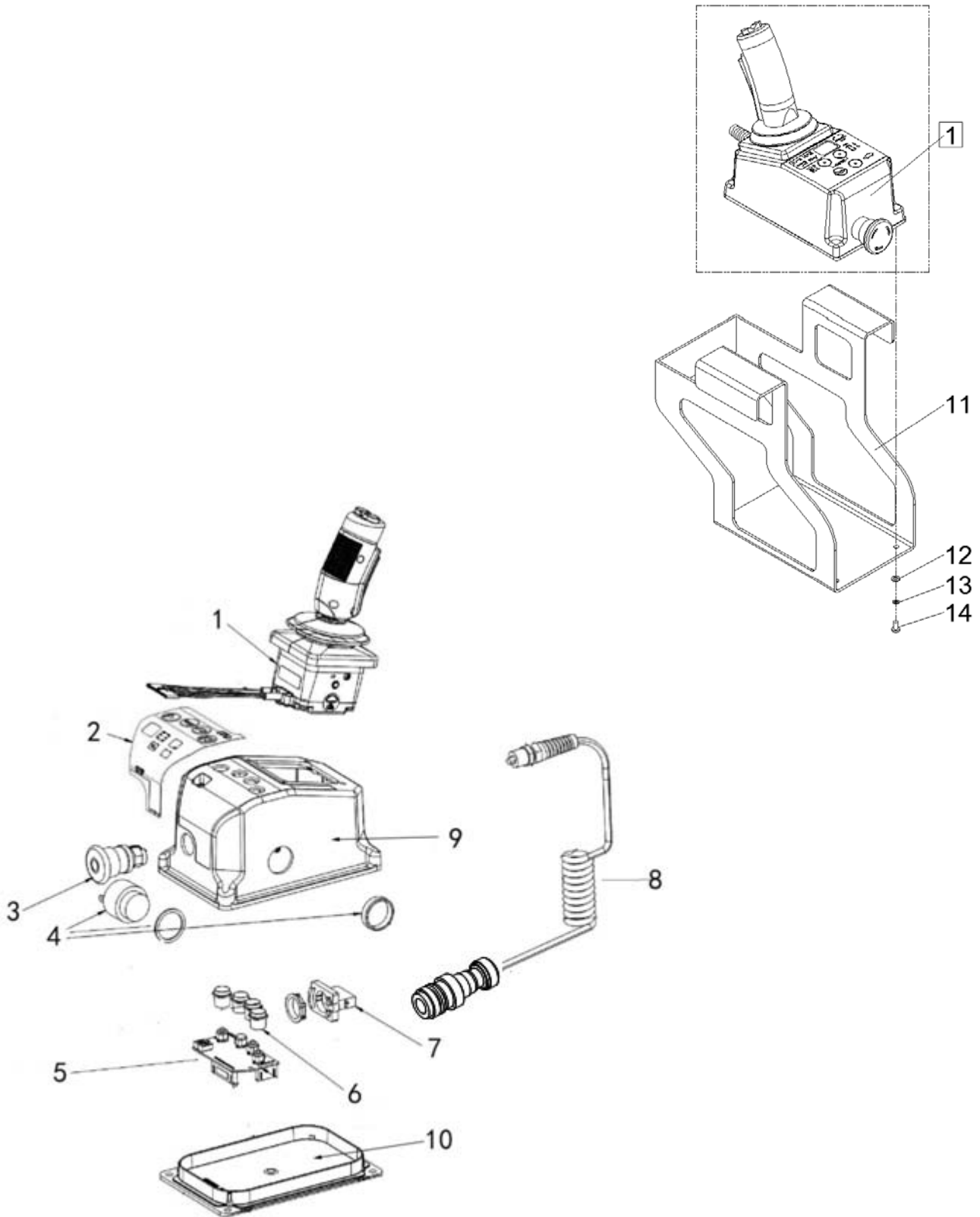


Table 11 Platform controller components

NO.	Art No.	Description	Qty.	Note
1	602098520032	Control handle	1	
2	602098520033	Decal	1	
3	602098520034	Emergency stop switch	1	
4	602098520035	Buzzer	1	
5	602098520036	Switch	1	
6	602098520037	Button	1	
7	602098520038	Contact block	1	
8	602098520039	Spring line	1	
9	602098520040	Controller box	1	
10	602098520041	Bottom cover	1	
11	602011010000	Hanging plate	1	
12	910400100005	Washer	4	
13	910400500005	Spring washer	4	
14	910200500054	Screw	4	
①	922100100004	Platform controller	1	

Figure 12 Pedal lock

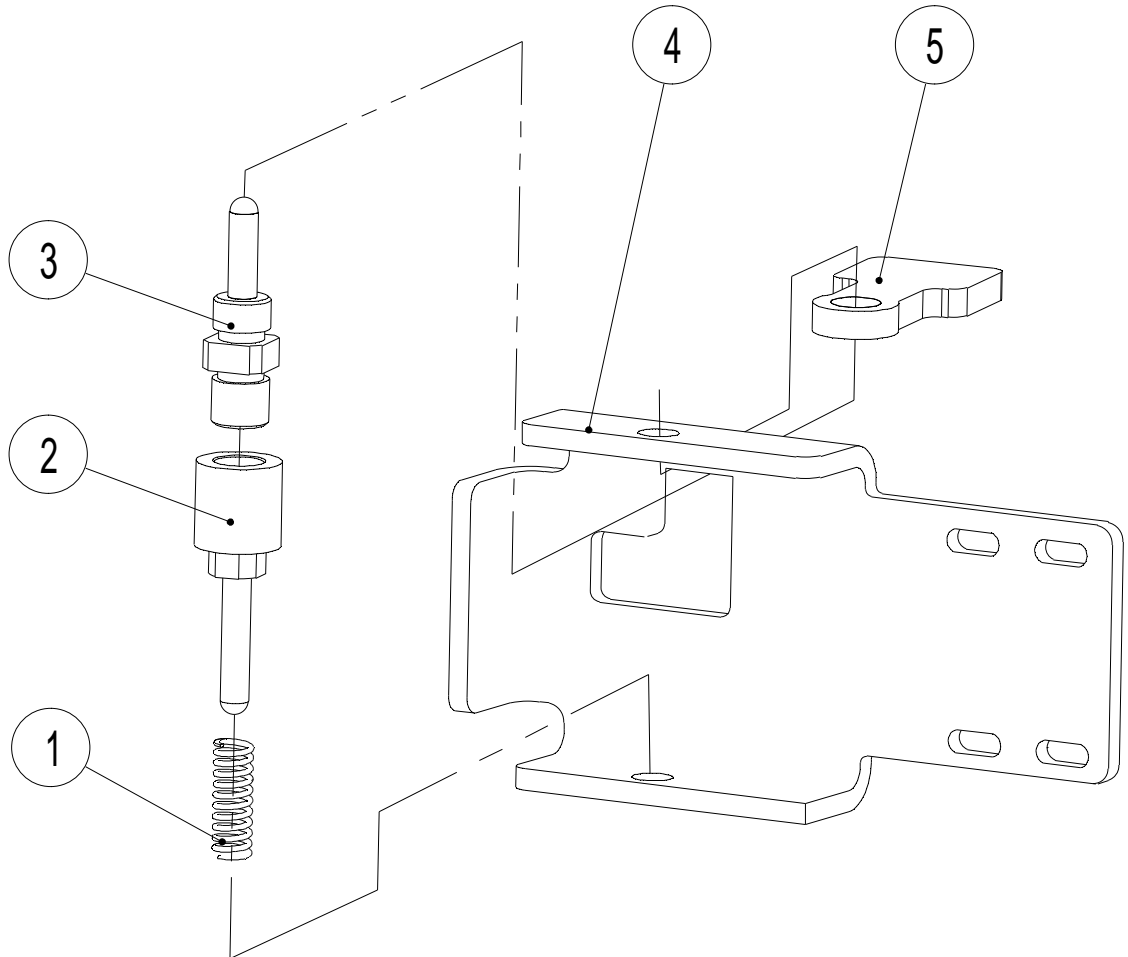
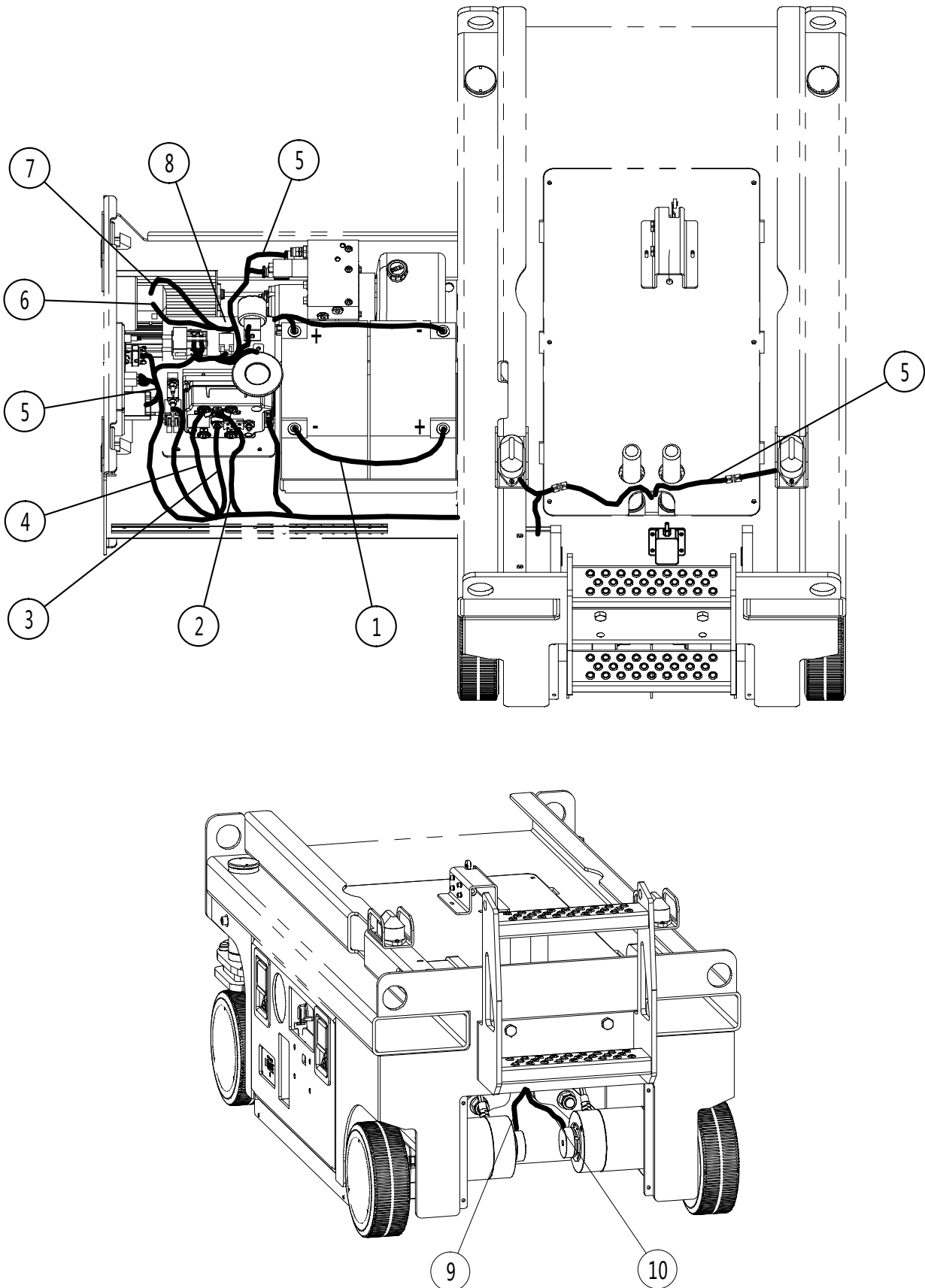


Table 12 Pedal lock

NO.	Art No.	Description	Qty.	Note
1	602053520078	Spring	1	
2	600553520040	Shaft	1	
3	600553520039	Shaft	1	
4	600553520037	Plate	1	
5	600553520038	Plate	1	

Figure 13 Wiring harness



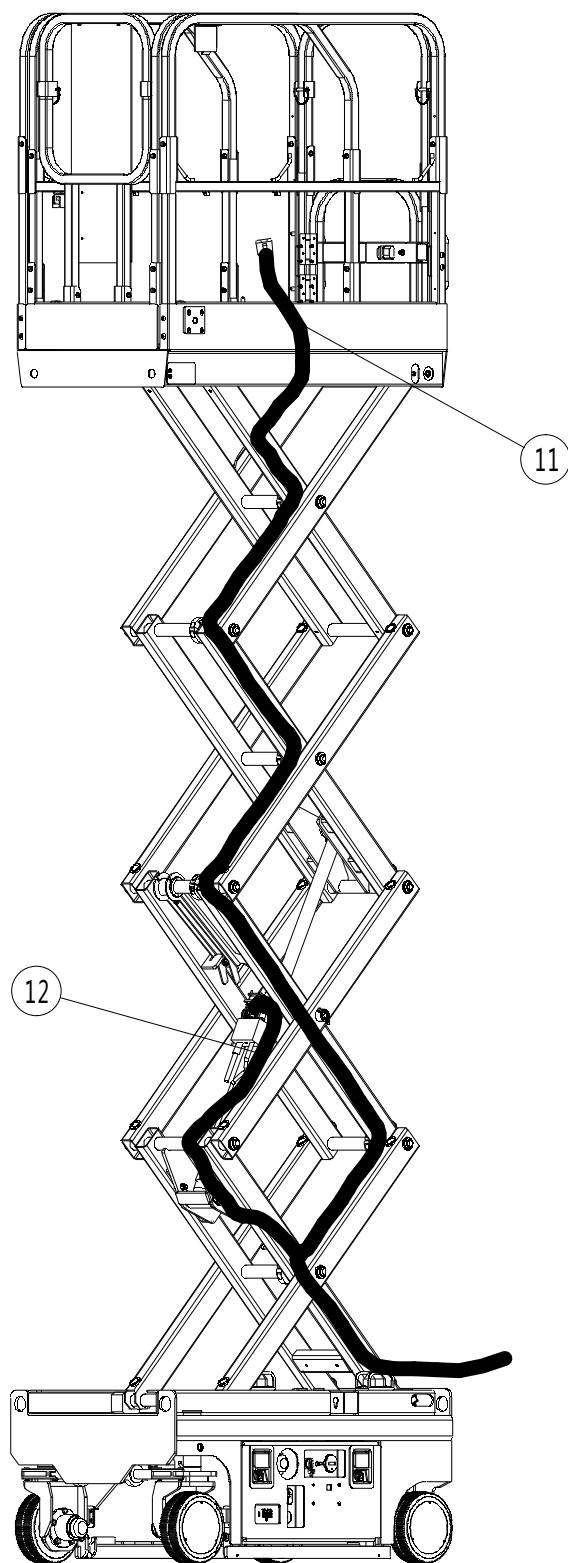


Table 13 Wiring harness

NO.	Art No.	Description	Qty.	Note
1	609033010008	Cable	2	
2	609033010003	Cable	1	
3	609033010006	Cable	1	
4	609033010007	Cable	1	
5	609033010000	Wiring harness	1	
6	609033010004	Cable	1	
7	609033010005	Cable	1	
8	609033010009	Electronic control module	1	
9	609033010013	Wiring	1	
10	609033010014	Wiring	1	
11	609033010001	Wiring	1	
12	609033010002	Wiring	1	

Figure 14 Cylinder

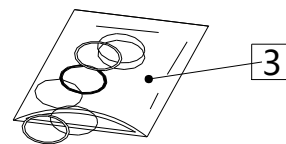
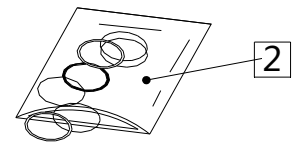
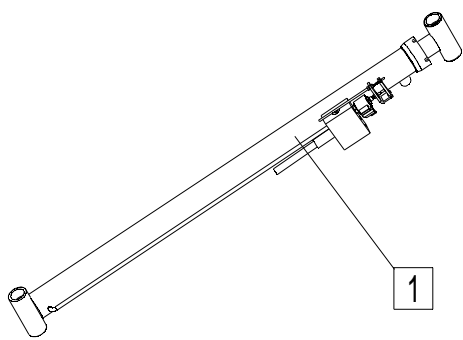
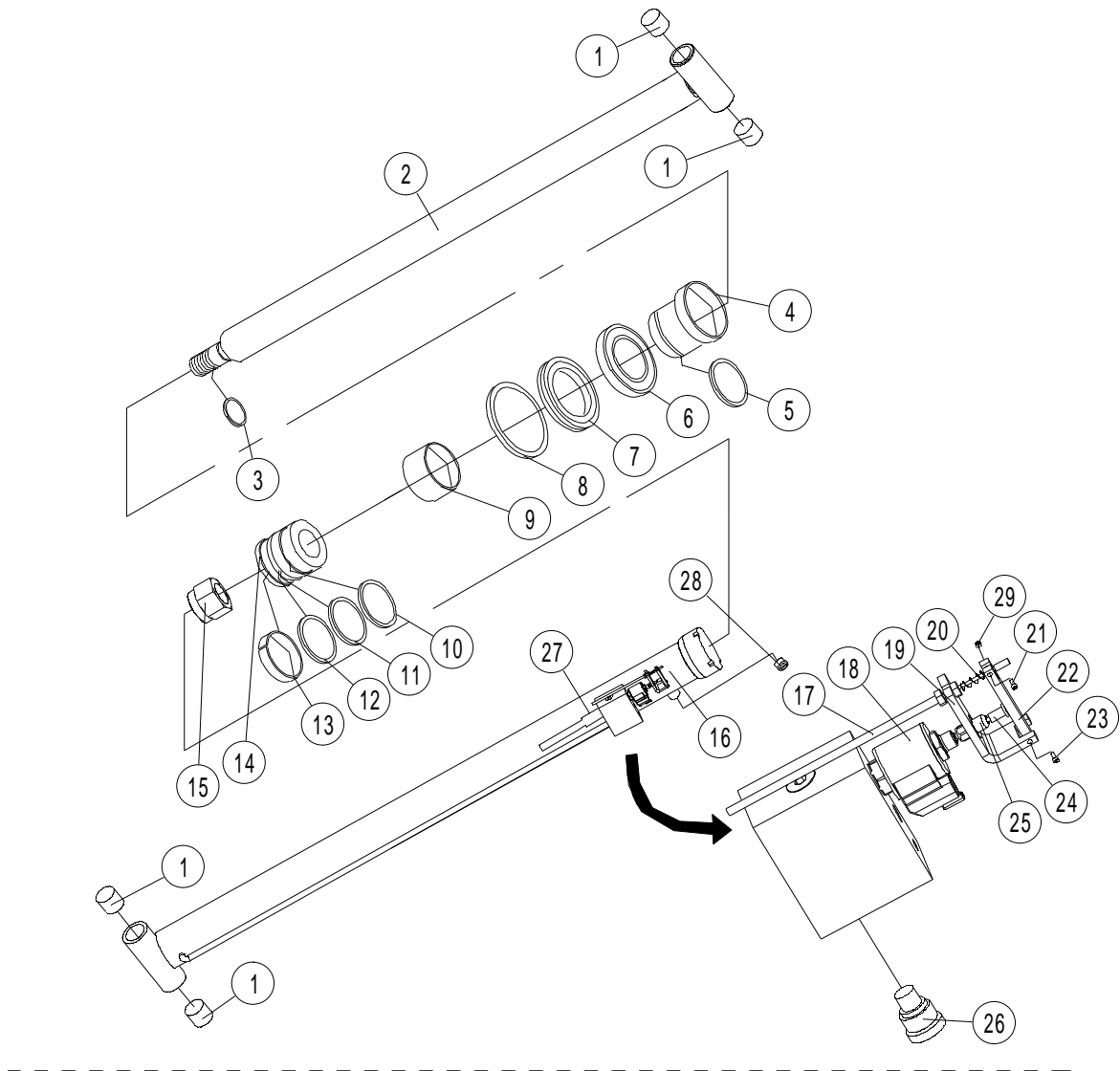


Table14 Cylinder

NO.	Art No.	Description	Qty.	Note
1	940500100063	Sleeve	4	
2	Does not provide a separate sale	Piston rod	1	
3	Does not provide a separate sale	O ring	2	
4	Does not provide a separate sale	End cover	1	
5	Does not provide a separate sale	O ring	1	
6	Does not provide a separate sale	Dust oil seal	1	
7	Does not provide a separate sale	O ring	1	
8	Does not provide a separate sale	Seal ring	1	
9	Does not provide a separate sale	Cylinder bore	1	
10	Does not provide a separate sale	O ring	1	
11	Does not provide a separate sale	Collar	1	
12	Does not provide a separate sale	Seal ring	1	
13	Does not provide a separate sale	Guide ring	1	
14	Does not provide a separate sale	Piston	1	
15	Does not provide a separate sale	Nut	1	
16	Does not provide a separate sale	Cylinder	1	
17	609023501006	Manual descent	1	
18	605523510015	Valve	1	
19	609023520001	Swinging rod seat	1	
20	609023520002	Spring	1	
21	910200200005	Screw	1	
22	609023520003	Swinging rod	1	
23	910200200008	Screw	1	
24	609023520005	The top rod	1	
25	609023520006	Nut	1	
26	605523510016	One-way valve	1	
27	950400300003	Joint	1	
28	605523510014	Muffler	1	
29	910300500011	Nut	2	
①	609023501005	Cylinder	1	
②	609098520004	Sealing bag	1	NO.: 5、6、7、8
③	609098520005	Sealing bag	1	NO.: 3、10、11、12、13

Figure 15 Chassis piping

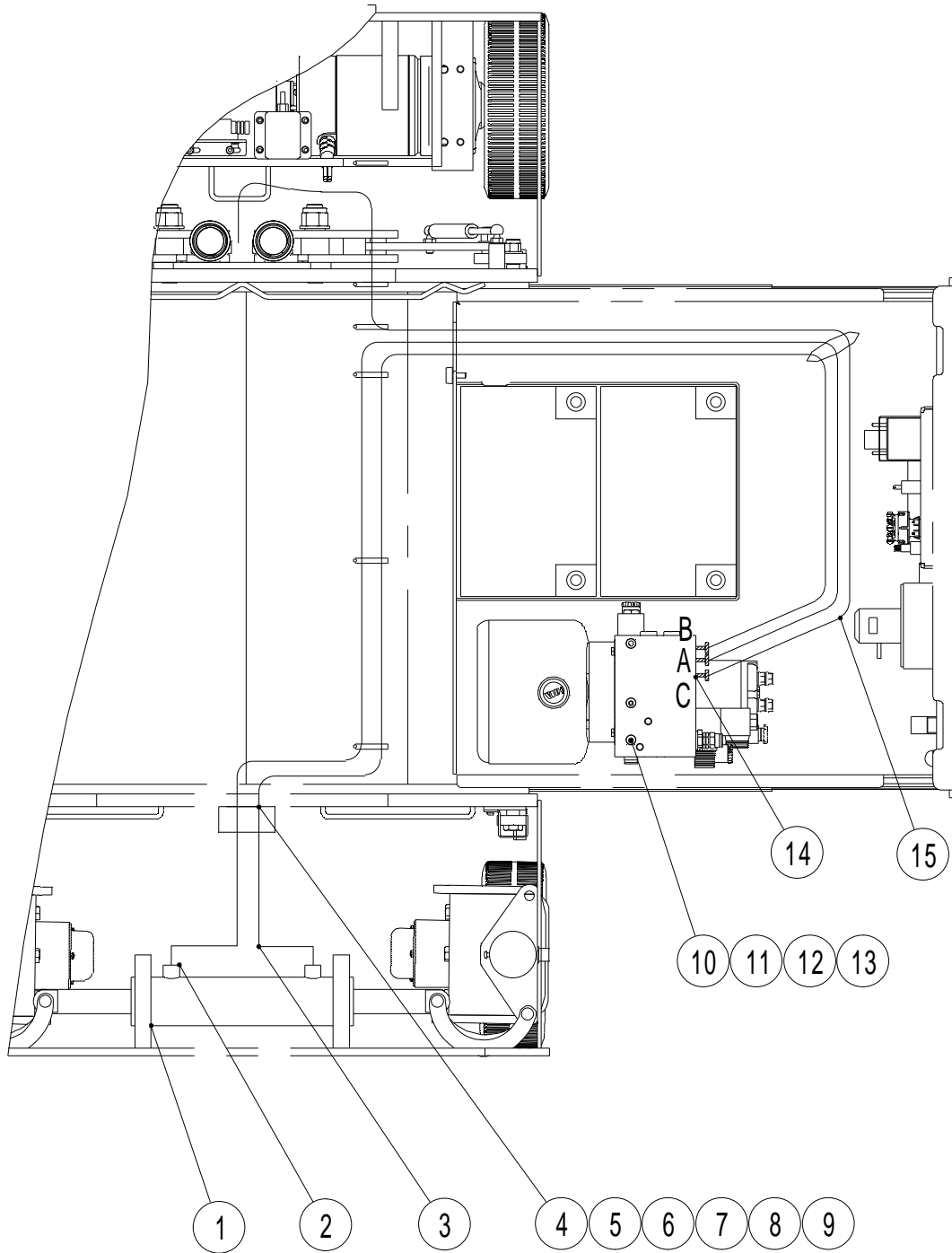


Table 15 Chassis piping

NO.	Art No.	Description	Qty.	Note
1	609023501004	Steering cylinder	1	
2	950400400001	Joint	2	
3	206044020030	Hydraulic hose	2	
4	602023520001	Support	1	
5	910200200058	Screw	2	
6	910400500006	Spring washer	2	
7	910200200061	Screw	1	
8	951000200001	Plate	1	
9	951000200002	Pipe clamp	1	
10	950900100040	Hydraulic power unit	1	
11	910200300028	Screw	2	
12	910400100007	Washer	2	
13	910400500007	Spring washer	2	
14	950400300003	Joint	3	
15	609023510004	Hydraulic hose	1	

Figure 16 Steering Cylinder

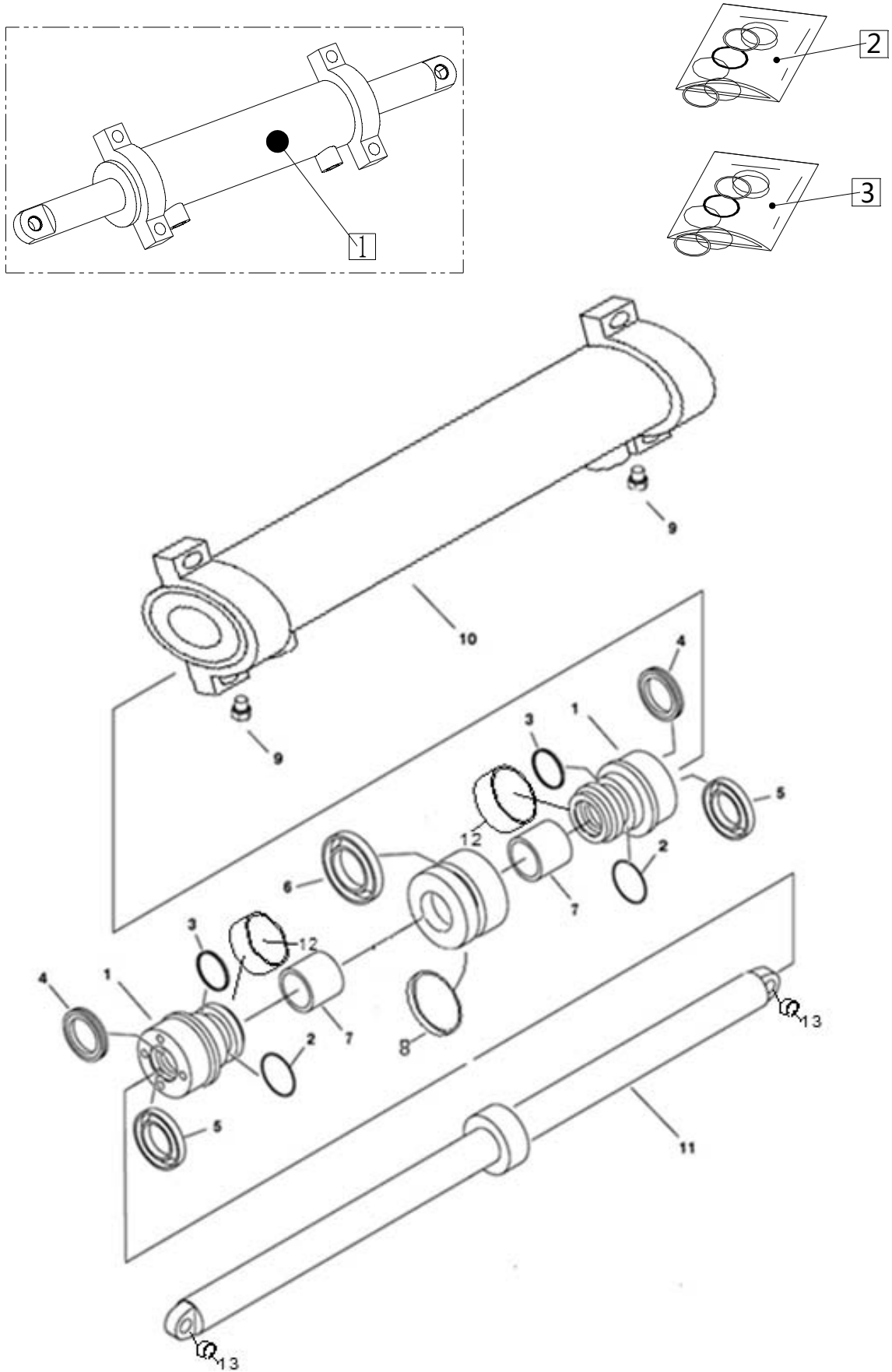


Table 16 Steering Cylinder

NO.	Art No.	Description	Qty.	Note
1	Does not provide a separate sale	End cover	2	
2	Does not provide a separate sale	O ring	2	
3	Does not provide a separate sale	Collar	2	
4	Does not provide a separate sale	Seal ring	2	
5	Does not provide a separate sale	Dust oil seal	2	
6	Does not provide a separate sale	Seal ring	1	
7	Does not provide a separate sale	Sleeve	2	
8	Does not provide a separate sale	Guide ring	2	
9	Does not provide a separate sale	Plug	2	
10	Does not provide a separate sale	Cylinder	1	
11	Does not provide a separate sale	Piston rod	1	
12	Does not provide a separate sale	Shaft sleeve	2	
13	940500200021	Sleeve	2	
①	609023501004	Steering Cylinder	1	
②	609098520000	Sealing bag	1	NO: 6、8
③	609098520001	Sealing bag	2	NO:2、3、4、5

Figure 17 Electronic control module

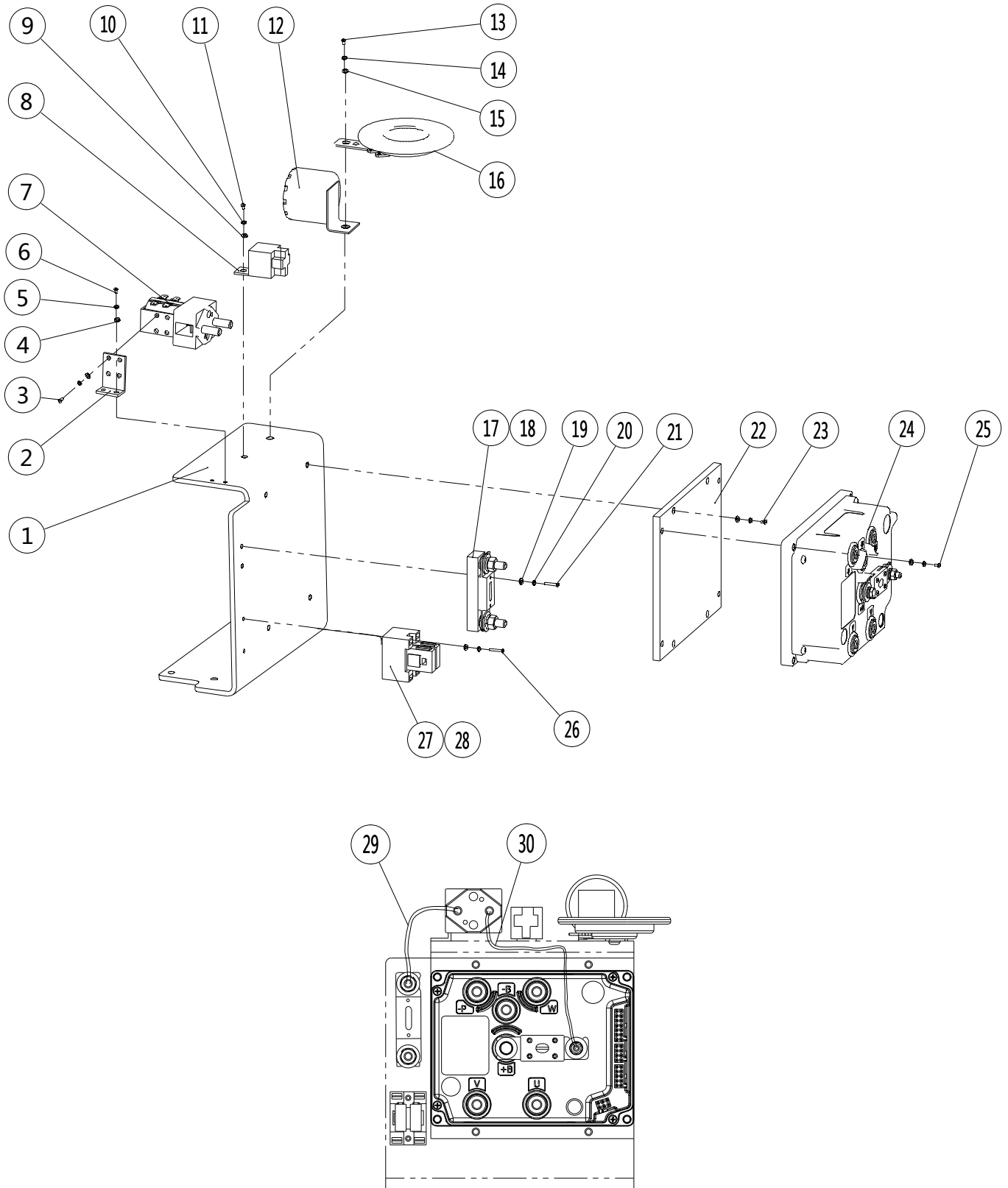


Table 17 Electronic control module

NO.	Art No.	Description	Qty.	Note
1	609010020008	Mounting plate	1	
2	921300400003	Fixing plate	1	
3	910200300005	Screw	4	
4	910400100003	Washer	8	
5	910400500003	Spring washer	8	
6	910200500021	Screw	2	
7	920700100004	Contacto	1	
8	920800100001	Relay	1	
9	910400100005	Washer	9	
10	910400500005	Spring washer	9	
11	910200200032	Screw	1	
12	920500100002	Horn buzzer	1	
13	910200200053	Screw	1	
14	910400500006	Spring washer	1	
15	910400100006	Washer	1	
16	920500100001	Horn	1	
17	920100400002	Fuse holder	1	
18	920100100008	Fuse	1	
19	910400100004	Washer	2	
20	910400500004	Spring washer	2	
21	910200500040	Screw	2	
22	606033020001	Aluminum plate	1	
23	910200200034	Screw	4	
24	921400100049	Controller	1	
25	910200200035	Screw	4	
26	910200500028	Screw	2	
27	920100400005	Fuse holder	1	
28	920100200002	Fuse	2	
29	609033010010	Cable	1	
30	609033010011	Cable	1	