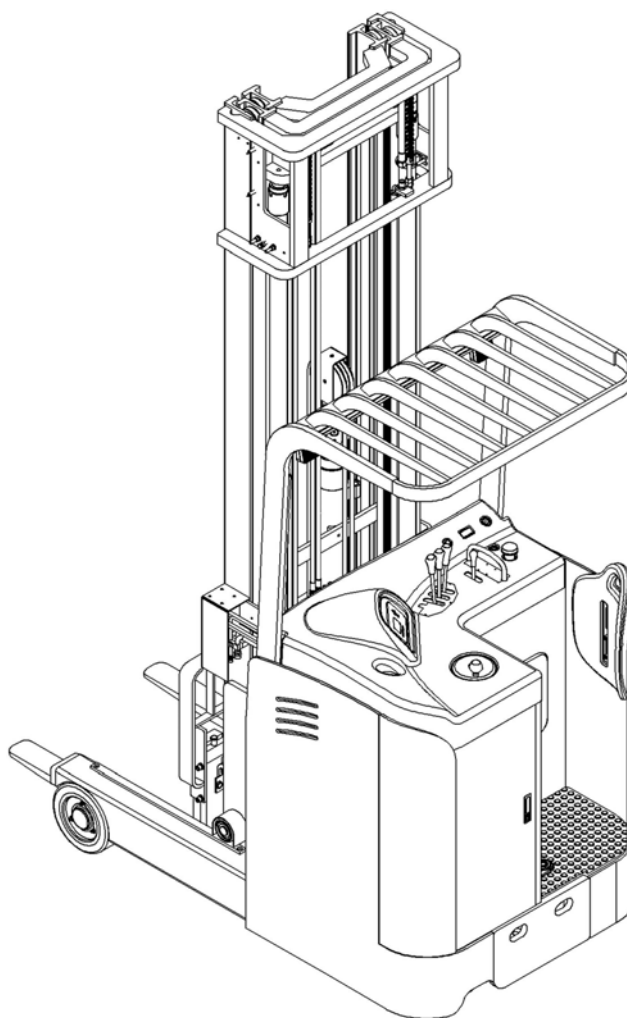


SPAREPARTS LIST

Electric Reack Truck RT15ST



Version 10/2018

From truck identification number: :

RT15ST-BPT-003-EN

Catalogue

Fig. 1 Label	1
Fig. 2 Label (for US)	3
Fig. 3 Appearance (Three-stage-mast)	4
Fig. 4 Appearance (Two-stage-mast)	5
Fig. 5 Control panel.....	6
Fig. 6 Accelerator unit	7
Fig. 7 Battery pallet	8
Fig. 8 Load roller	9
Fig. 9 Universal wheel.....	10
Fig. 10 Drive axle	12
Fig. 11 Pedal	14
Fig. 12 Oil tank function group	15
Fig. 13 Reach cylinder function group.....	17
Fig. 14 Truck body components	18
Fig. 15 Overhead guard components.....	20
Fig. 16 Truck body (hydraulic pipeline line three).....	21
Fig. 17 Truck body (hydraulic pipeline line four).....	23
Fig. 18 Electric steering unit.....	26
Fig. 19 Three stage mast(fork arm carriage components).....	28
Fig. 20 Three stage mast(outer mast)	30
Fig. 21 Three stage mast(middle mast).....	33
Fig. 22 Three stage mast(inner mast)	36
Fig. 23 Three stage mast(hydraulic pipeline line three).....	39
Fig. 24 Three stage mast(hydraulic pipeline line four).....	44
Fig. 25 Two stage mast(fork carriage components)	49
Fig. 26 Two stage mast(mast components).....	51
Fig. 27 Two stage mast(hydraulic pipeline line three)	54
Fig. 28 Two stage mast(hydraulic pipeline line four)	56
Fig. 29 Electronic control components	58
Fig. 30 Wiring harness components.....	60
Fig. 31 Tilt cylinder	62
Fig. 32 Cylinder(M).....	63
Fig. 33 Cylinder(L).....	65
Fig. 34 Cylinder(R)	67
Easy worn parts	69

Fig. 1 Label

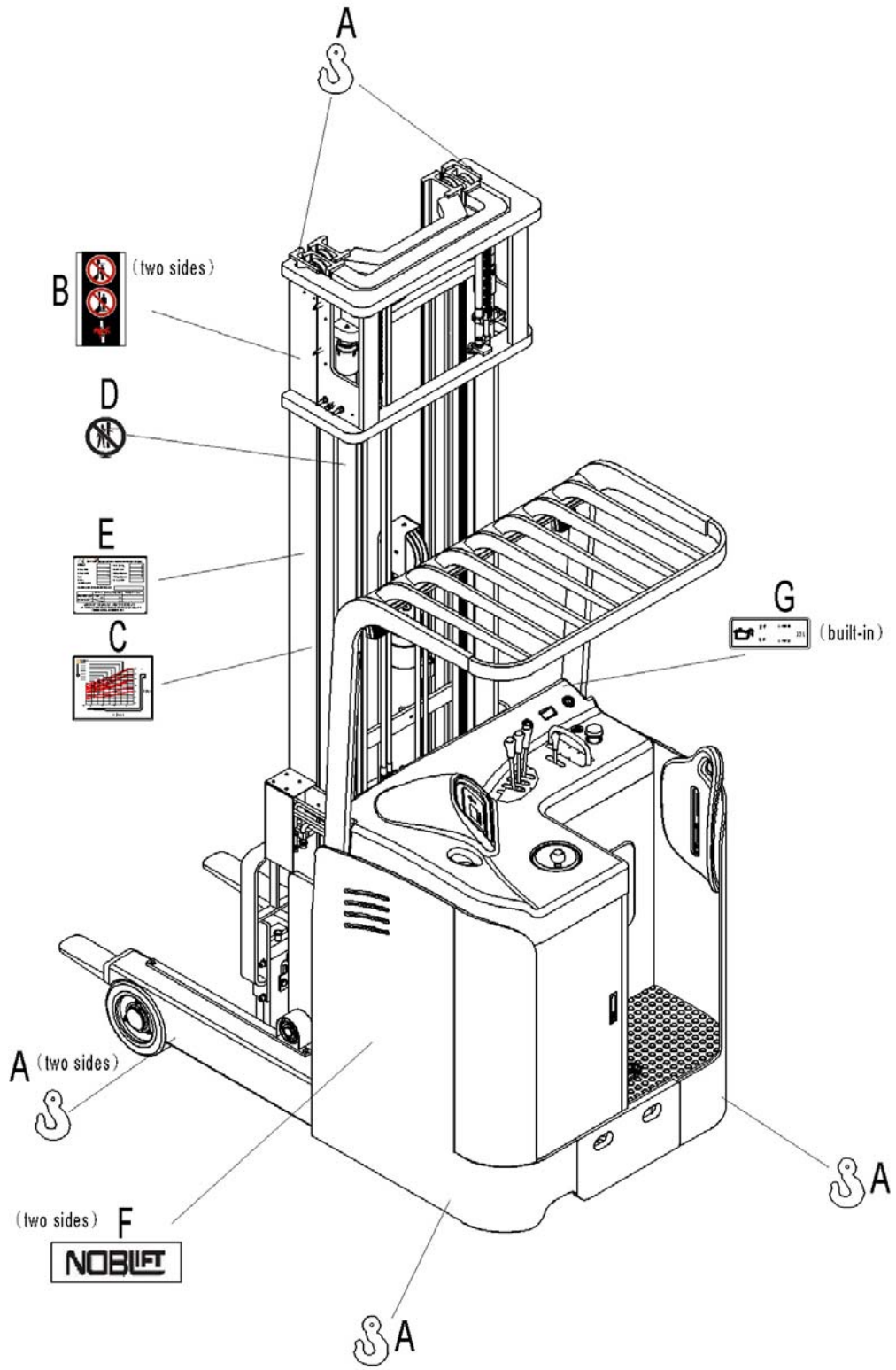


Fig. 1 Label

No.	Art No.	Description	Qty.	Note
A	941200300001	Crane hook label	6	
B	941200100004	Sticker	2	
C	216547502000	Residual lift capacity sticker	1	
D	941200100006	Sticker	1	
E	216547502001	CE label	1	
F	941200500003	Sticker (NOBLELIFT)	2	
G	941200300003	Filling sticker	1	

Fig. 2 Label (for US)

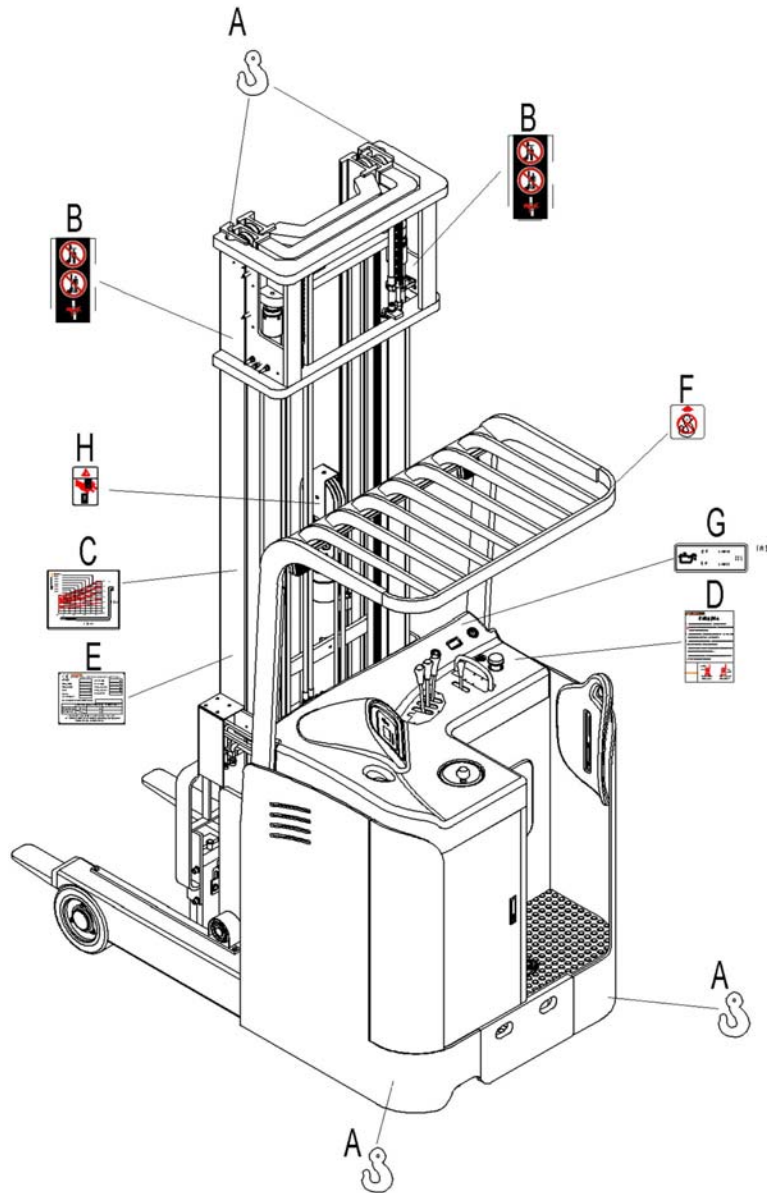


Fig. 2 Label (for US)

No.	Art No.	Description	Qty.	Note
A	941200300001	Crane hook label	6	
B	941200100004	Sticker	2	
C	213047502000	Residual lift capacity sticker	1	
D	941200100013	Sticker	1	
E	213047502001	CE label	1	
F	941200100025	Sticker	1	
H	941200100027	Sticker	1	
G	941200300003	Filling sticker	1	

Fig. 3 Appearance (Three-stage-mast)

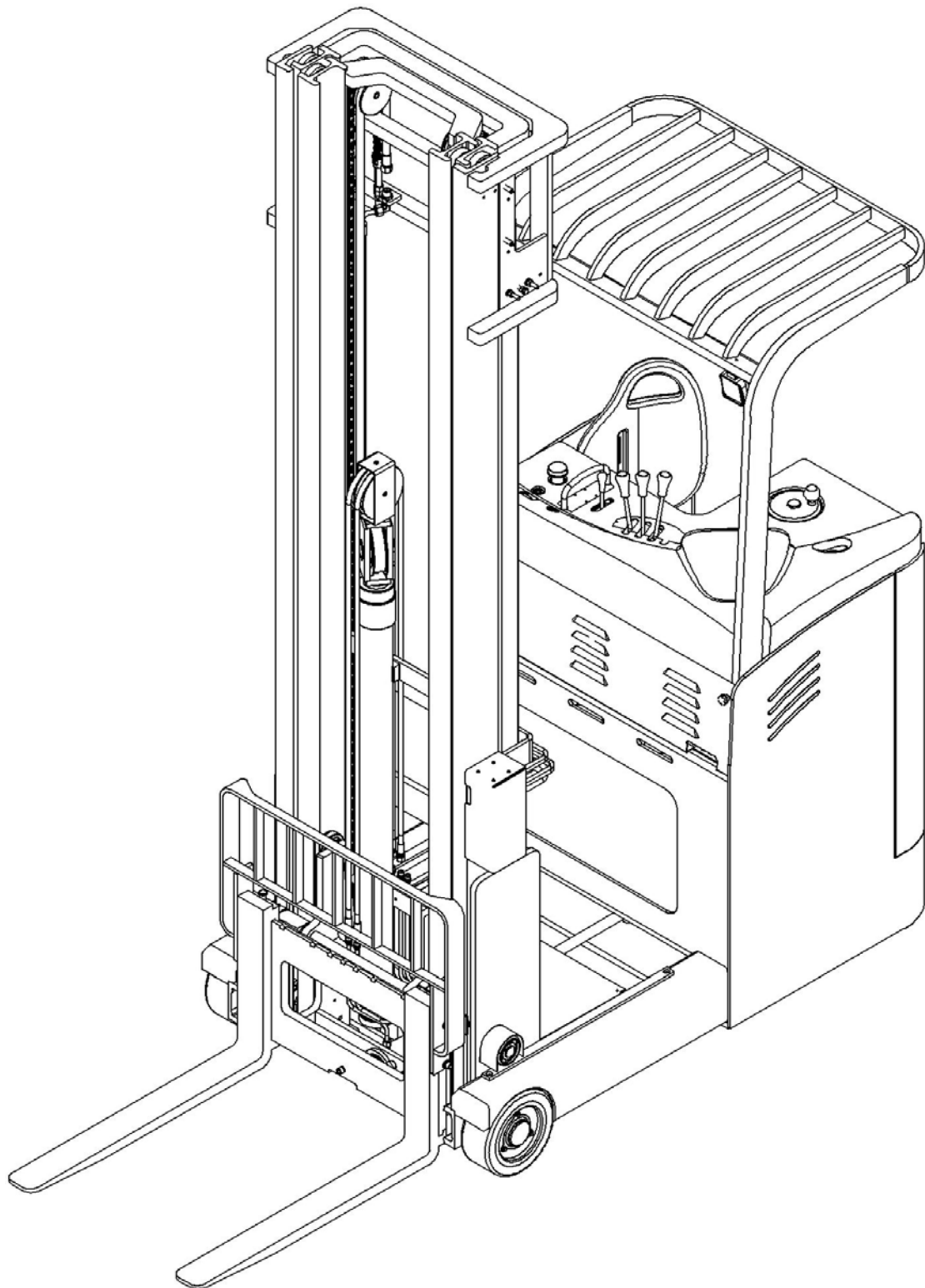


Fig. 4 Appearance (Two-stage-mast)

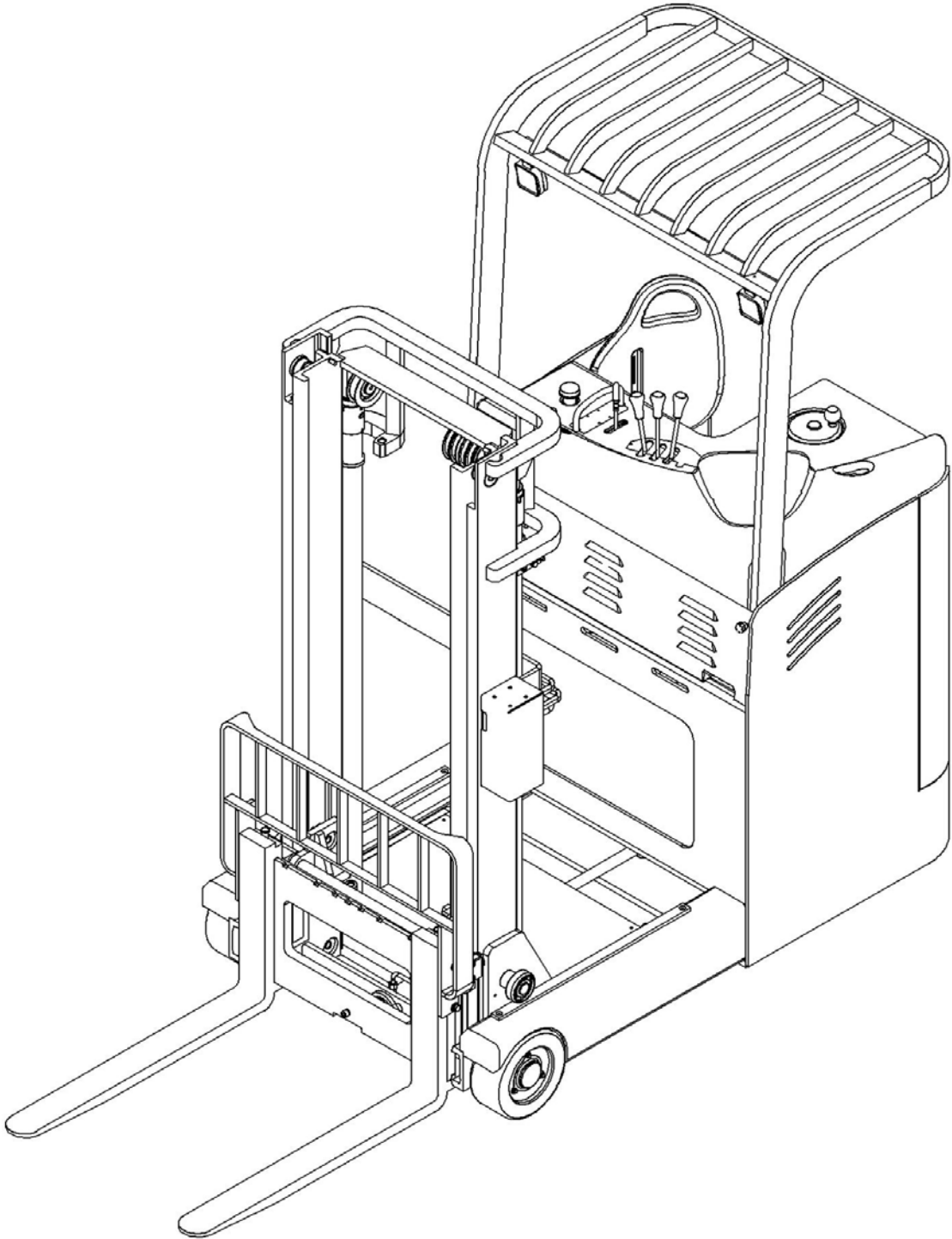


Fig. 5 Control panel

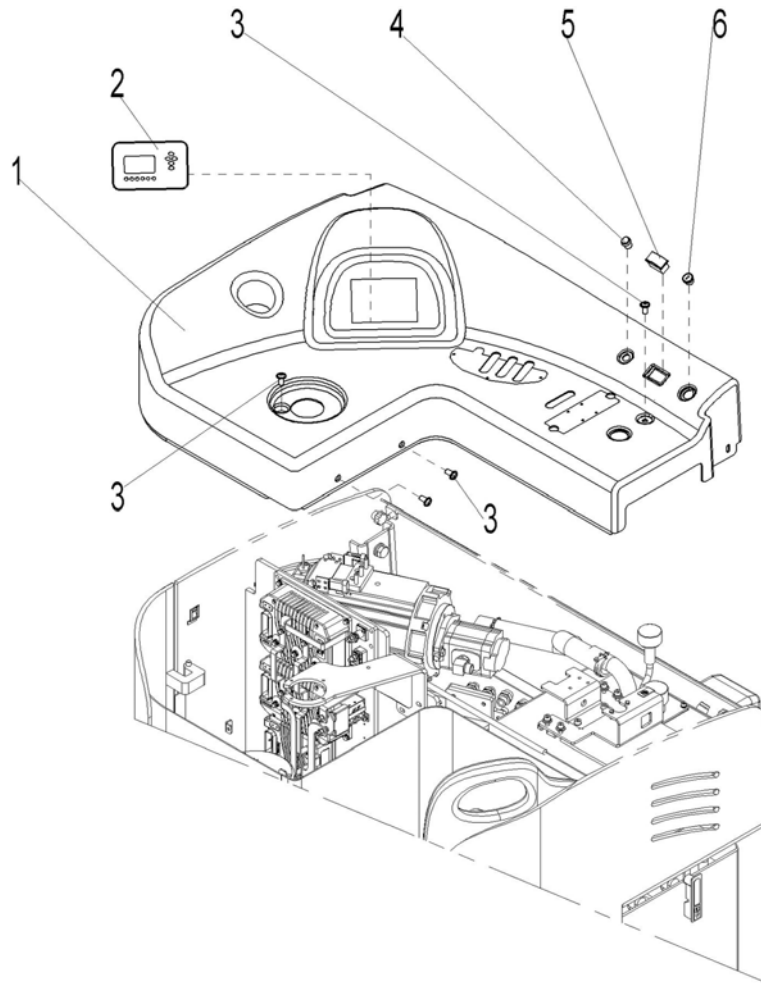


Fig. 5 Control Panel

No.	Art No.	Description	Qty.	Note
1	216510020000	Protective cover	1	
2	921100100011	Indicator	1	3501-12-80V
3	941100100007	Screw	4	M10x20-8.8
4	920200700003	Button switch	1	GQ16H-10
5	920200800009	Rocker switch	1	JK932-159-2.1
6	920200200002	Key switch	1	

Fig. 6 Accelerator unit

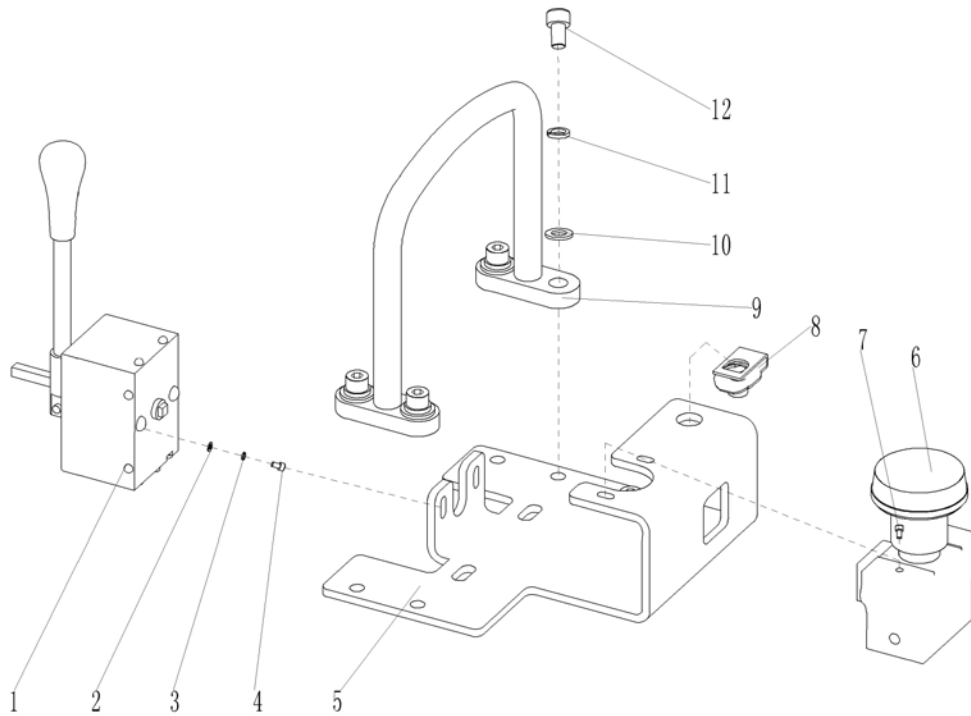


Fig. 6 Accelerator Unit

No.	Art No.	Description	Qty.	Note
1	921700100004	Accelerator	1	Q61F2-40801
2	910400100004	Washer	2	GB97.1-5-200HV
3	910400500004	Washer	2	GB93-5
4	910200400011	Screw	2	GB70.3-M5x12-8.8
5	216510520000	Fixed plate(handrail accelerator)	1	
6	920200100001	Emergency switch	1	ZDK32-350
7	910200500021	Screw	2	GB818-M4x10-4.8
8	940400400003	Nut	1	M10-t(3-5)
9	216510510000	Handrail welding	1	
10	910400100006	Washer	4	GB97.1-8-200HV
11	910400500006	Washer	4	GB93-8
12	910200200057	Screw	4	GB70.1-M8x20-8.8

Fig. 7 Battery pallet

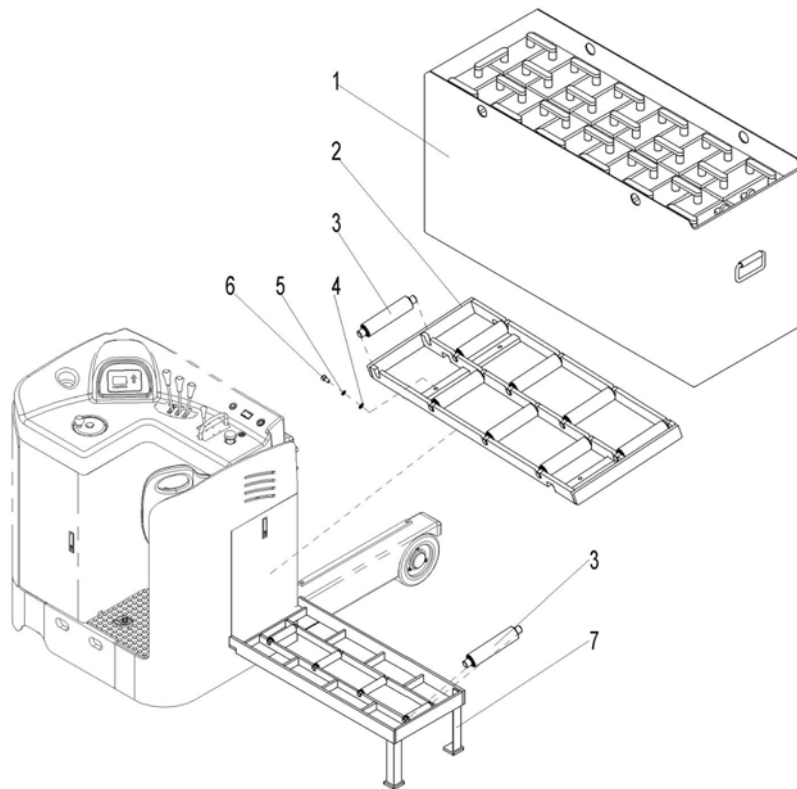


Fig. 7 Battery Pallet

No.	Art No.	Description	Qty.	Note
1	216537010000	Traction battery 48V-4PzS360	1	Bolt type
	216537010001	Traction battery 48V-4PzS420	1	Bolt type
2	216512510000	Battery frame welding	1	
3	232021501002	Barrel	12	
4	910100300023	Bolt	4	GB5783-M8x25-8.8
5	910400500006	Washer	4	GB93-8
6	910400100006	Washer	4	GB97.1-8-200HV
7	216521510005	Battery replacement frame welding	1	

Fig. 8 Load roller

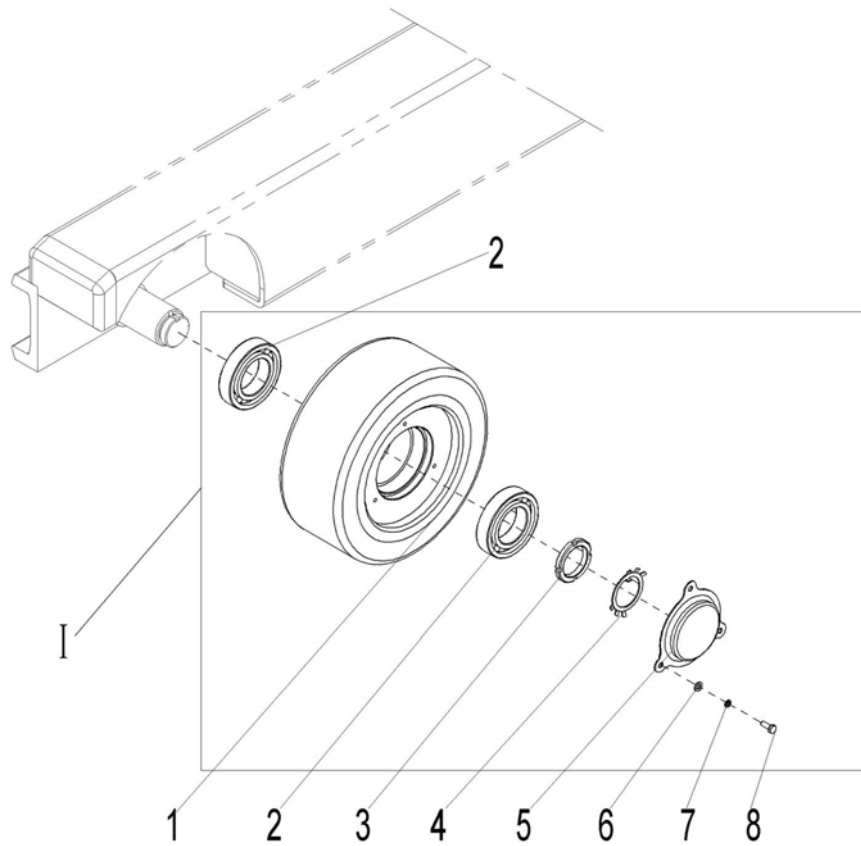


Fig. 8 Load Roller

No.	Art No.	Description	Qty.	Note
I	216517001000	Load roller assembly	2	267x106(PU)
1	940300300021	Wheel	1	267x106(iron core PU)
2	910700200025	Bearing	2	GB276-6210-2RS
3	910300700003	Nut	1	GB810-M42x1.5
4	910400900010	Washer	1	GB858-42
5	216517020000	Dust cover	1	
6	910400100005	Washer	3	GB97.1-6-200HV
7	910400500005	Washer	3	GB93-6
8	910100300010	Bolt	3	GB5783-M6x16-8.8

Fig. 9 Universal wheel

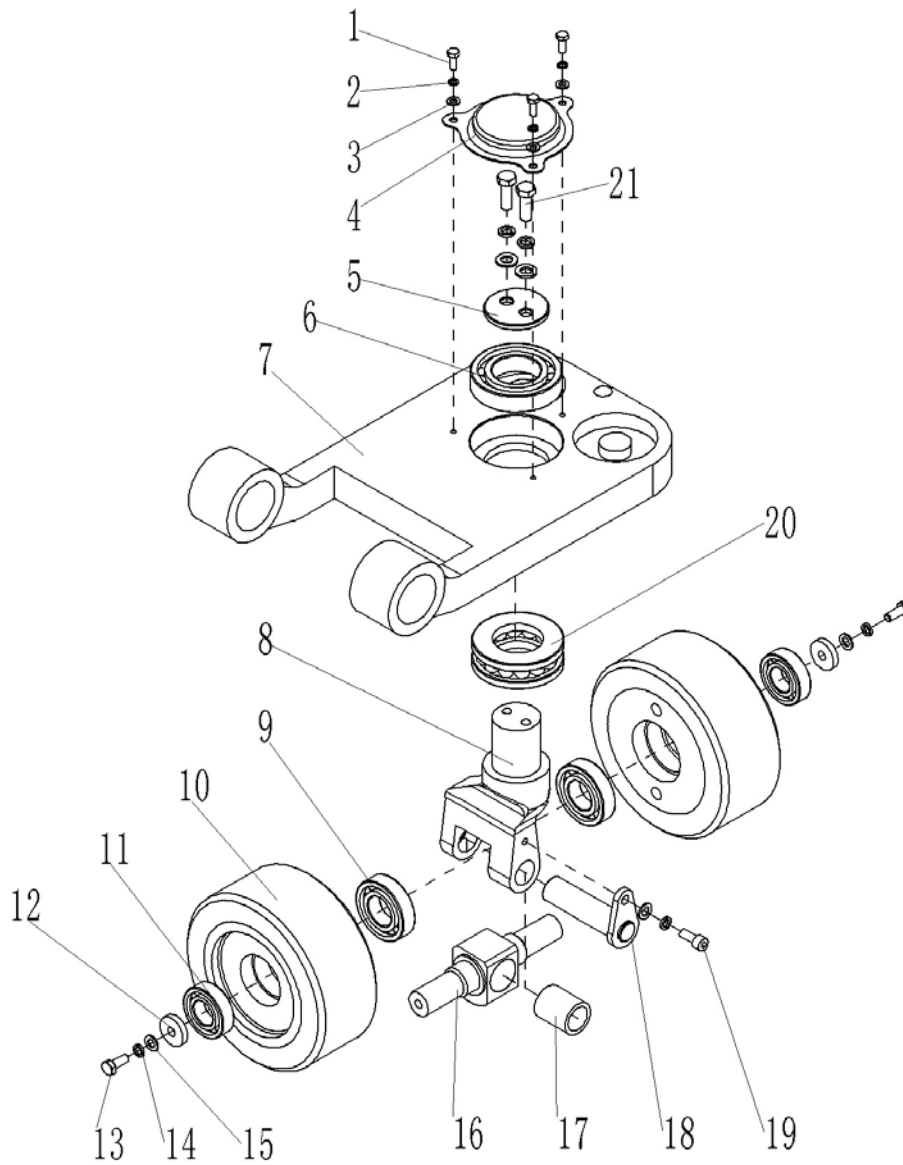


Fig. 9 Universal Wheel

No.	Art No.	Description	Qty.	Note
1	910100300010	Bolt	3	GB5783-M6x16-8.8
2	910400500005	Washer	3	GB93-6
3	910400100005	Washer	3	GB97.1-6-200HV
4	216517020000	Dust cover	1	
5	216516520002	Fixed plate(wheel carrier)	1	

6	910700200024	Bearing	1	GB276-6209-2RS
7	216516520001	Cross structure	1	
8	216516520003	Wheel carrier	1	
9	910700200021	Bearing	2	GB276-6206-2RS
10	940300300022	Wheel	2	180x76-C160323
11	910700200020	Bearing	2	GB276-6205-2RS
12	216516520000	Fixed plate(axle)	2	
13	910100300022	Bolt	2	GB5783-M8x20-8.8
14	910400500006	Washer	3	GB93-8
15	910400100006	Washer	3	GB97.1-8-200HV
16	216516520004	Axle	1	
17	940500400007	Self lubricating bearing	1	25x33x40
18	216516510000	Axle	1	25x90
19	910200200057	Screw	1	GB70.1-M8x20-8.8
20	910700700008	Bearing	1	GB301-51309
21	910100300035	Bolt	2	GB5783-M10x20-8.8
22	910400500007	Washer	3	GB93-10
23	910400100007	Washer	3	GB97.1-10-200HV

Fig. 10 Drive axle

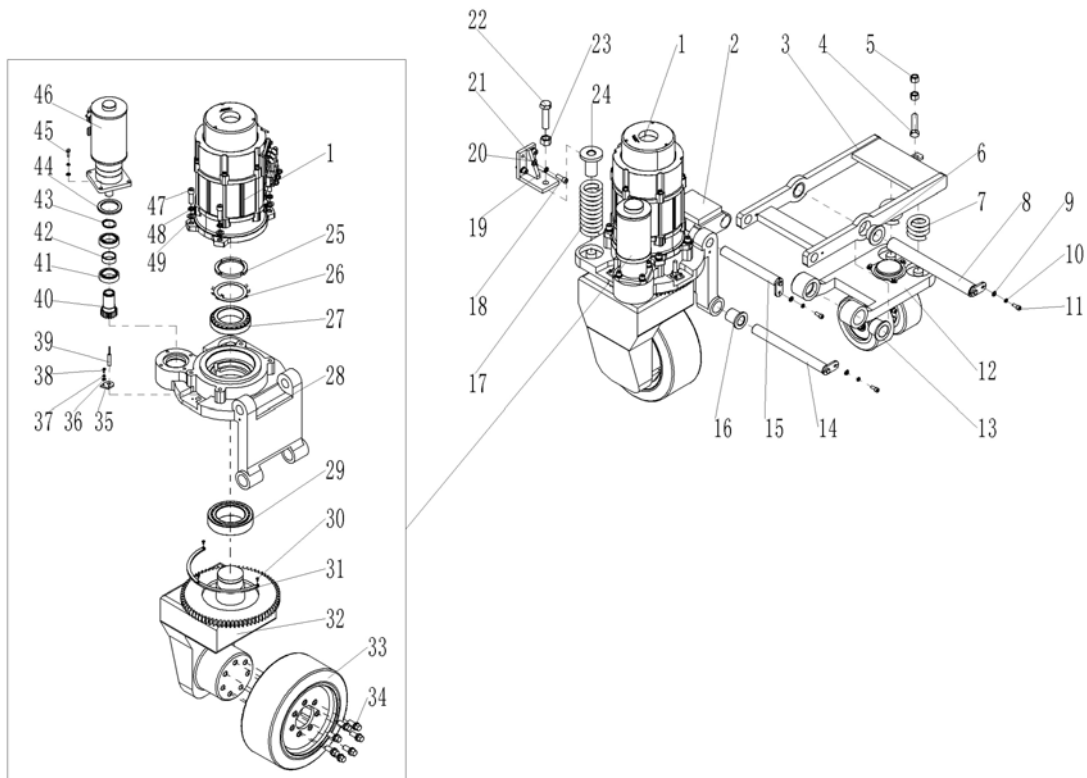


Fig. 10 Drive Axle

No.	Art No.	Description	Qty.	Note
1	920900100048	Motor(AC)	1	YDQ5.5-4NL
2	216513510005	Cross structure 二 welding	1	
3	216513510001	Cross structure 一 welding	1	
4	910100100078	Bolt	1	GB5782-M16x100-8.8
5	910300100010	Nut	2	GB6170-M16-10
6	940500400005	Self lubricating bearing	2	40x50x25
7	216513520001	Small damping spring	2	
8	216513510002	Axle	1	40x360
9	910400100006	Washer	5	GB97.1-8-200HV
10	910400500006	Washer	5	GB93-8
11	910100300022	Bolt	5	GB5783-M8x20-8.8
12	216516520001	Cross structure	1	
13	940500400006	Self lubricating bearing	2	40x50x40
14	216513510000	Axle	1	30x310
15	216513510004	Axle	1	30x240
16	940500400004	Self lubricating bearing	2	30x40x50

17	216513520002	Big damping spring	1	
18	910200200077	Screw	4	GB70.1-M10x30-8.8
19	910400500007	Washer	3	GB93-10
20	910400100007	Washer	3	GB97.1-10-200HV
21	216513510003	Pressing plate welding	1	
22	910100100090	Bolt	1	GB5782-M20x80-8.8
23	910300100012	Nut	1	GB6170-M20-10
24	216513520003	Guide post	1	
25	216514020000	Nut	1	M80x1.5
26	910400900016	Washer	1	GB858-80
27	910700600024	Bearing	1	GB297-32016
28	216513520000	Linking plate(drive motor)	1	
29	910700600039	Bearing	1	GB297-33018
30	910200400003	Screw	3	GB70.3-M4x8-8.8
31	216514020001	Sensor chip	1	
32	941000100002	Gear box	1	QDCS20B1i=18.98
33	940300400007	Drive wheel	1	343x140-C151110
34	216513020000	Hub bolt	7	M14x1.5x25
35	216513520020	Fixed plate(sensor switch)	1	
36	910400100003	Washer	2	GB97.1-4-200HV
37	910400500003	Washer	2	GB93-4
38	910200200013	Screw	2	GB70.1-M4x10-8.8
39	920200400002	Proximity switch	1	Fi4-G12-OP6L
40	216531520009	Gear m2.5,z18	1	
41	910700200007	Bearing	2	GB276-6007-2RS
42	216531520008	Spacer	1	43x36x17
43	910401300020	Circlip	1	GB894.1-40
44	216531520007	Circlip	1	73x53x6
45	910200200058	Screw	4	GB70.1-M8x25-8.8
46	940900700001	DC steering assembly	1	002100006G-DC-0.6KW
47	910200200100	Screw	4	GB70.1-M12x40-8.8
48	910400500008	Washer	4	GB93-12
49	910400100008	Washer	4	GB97.1-12-200HV

Fig. 11 Pedal

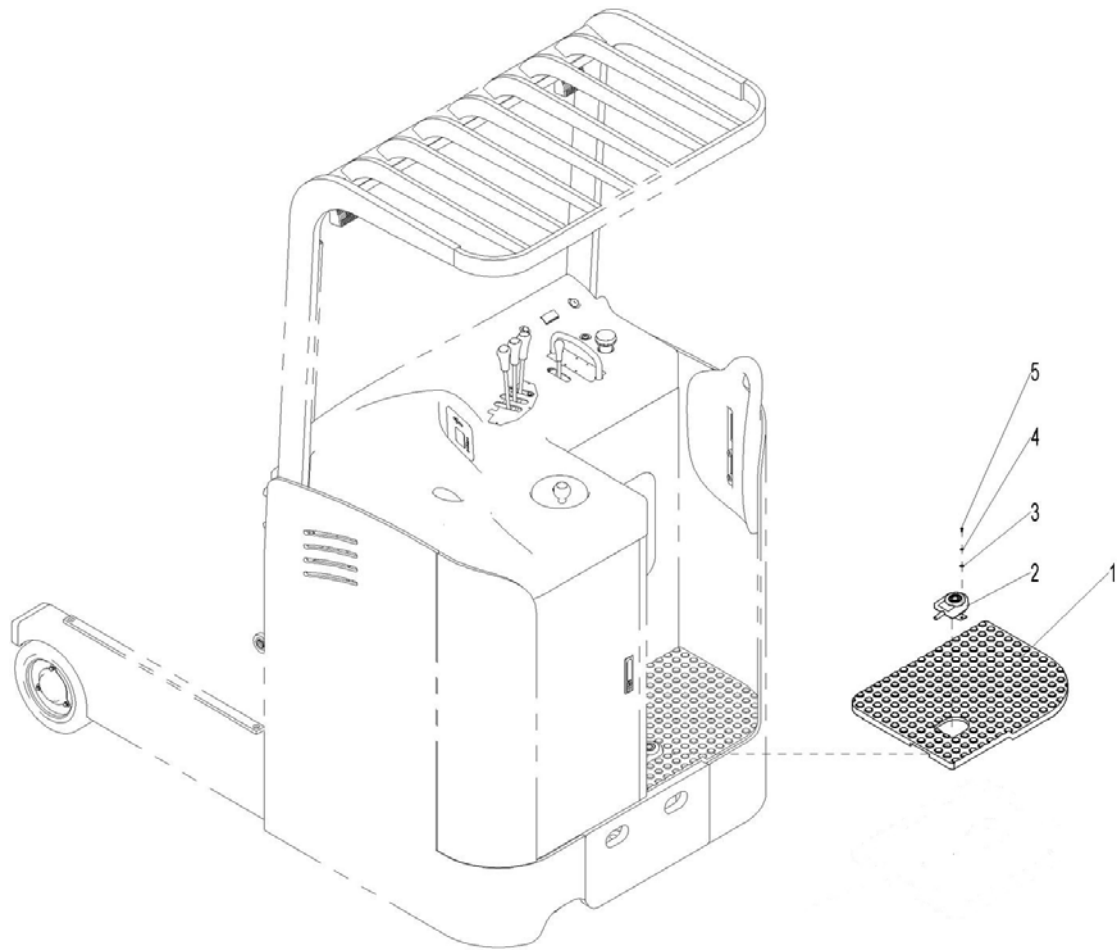


Fig. 11 Pedal

No.	Art No.	Description	Qty.	Note
1	216518001000	Foot pedal components	1	
2	920201000001	Foot pedal switch	1	FS9-1-10-M-2
3	910400100004	Washer	2	GB97.1-5-200HV
4	910400500004	Washer	2	GB93-5
5	910200500038	Screw	2	GB818-M5x12-4.8

Fig. 12 Oil tank function group

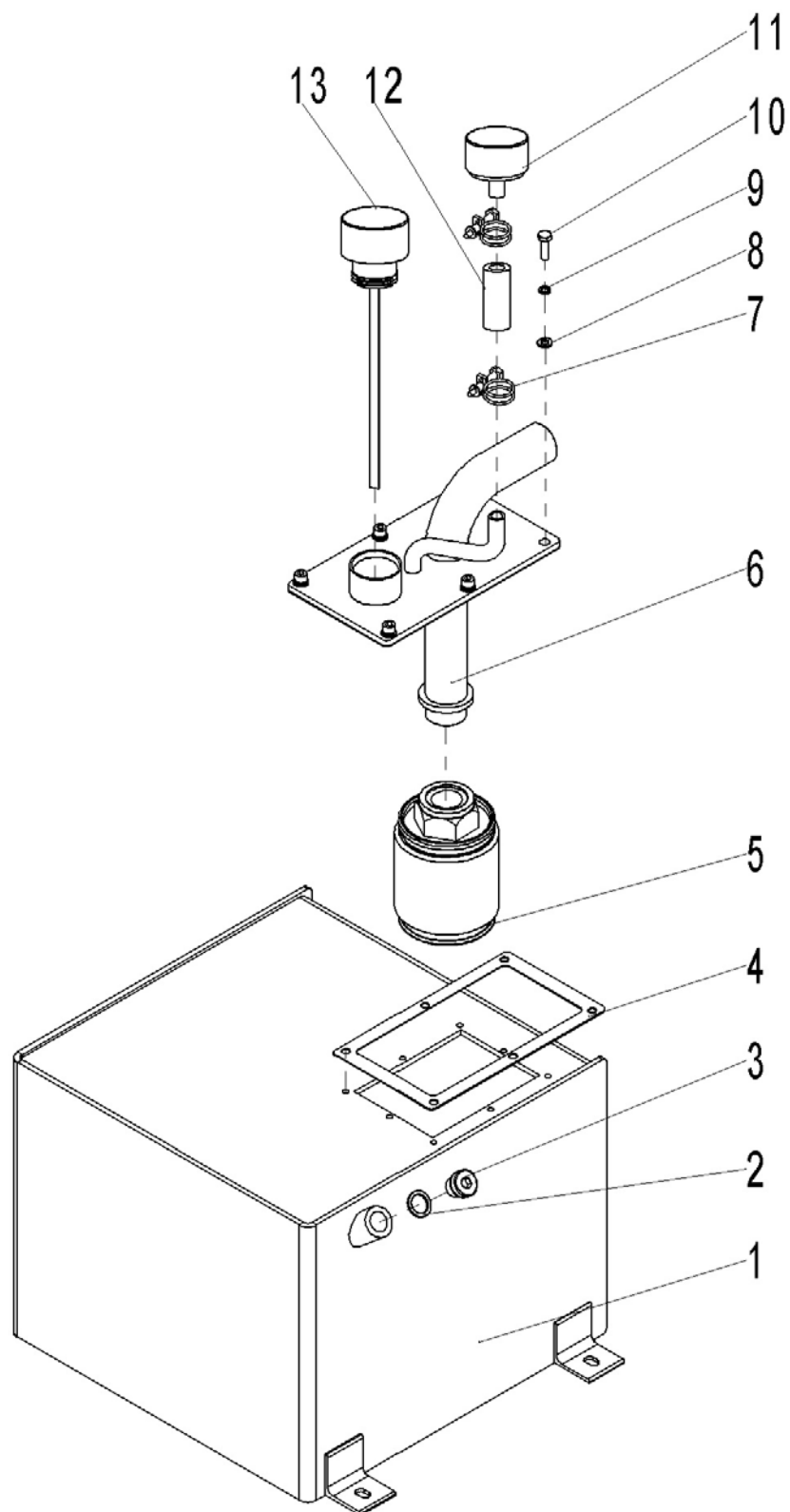


Fig. 12 Oil Tank Function Group

No.	Art No.	Description	Qty.	Note
1	216519010000	Oil tank welding	1	
2	910800900005	Washer	2	JB982-16
3	911300100001	Screw plug	2	JB1000-M16x1.5
4	216519020000	Oil tank packing paper	1	
5	951000400001	Suction filter	1	H24C7-50302
6	216519010001	Oil suction pipe welding	1	
7	911000600002	Hose clamp	2	QC/T390-(13-16)
8	910400100005	Washer	6	GB97.1-6-200HV
9	910400500005	Washer	6	GB93-6
10	910100300009	Bolt	6	GB5783-M6x12-8.8
11	253519010005	Respirator	1	HS0403
12	900200401001	Oil return hose	1	23x5, length 100
13	253519010004	Tank filler cap	1	

Fig. 13 Reach cylinder function group

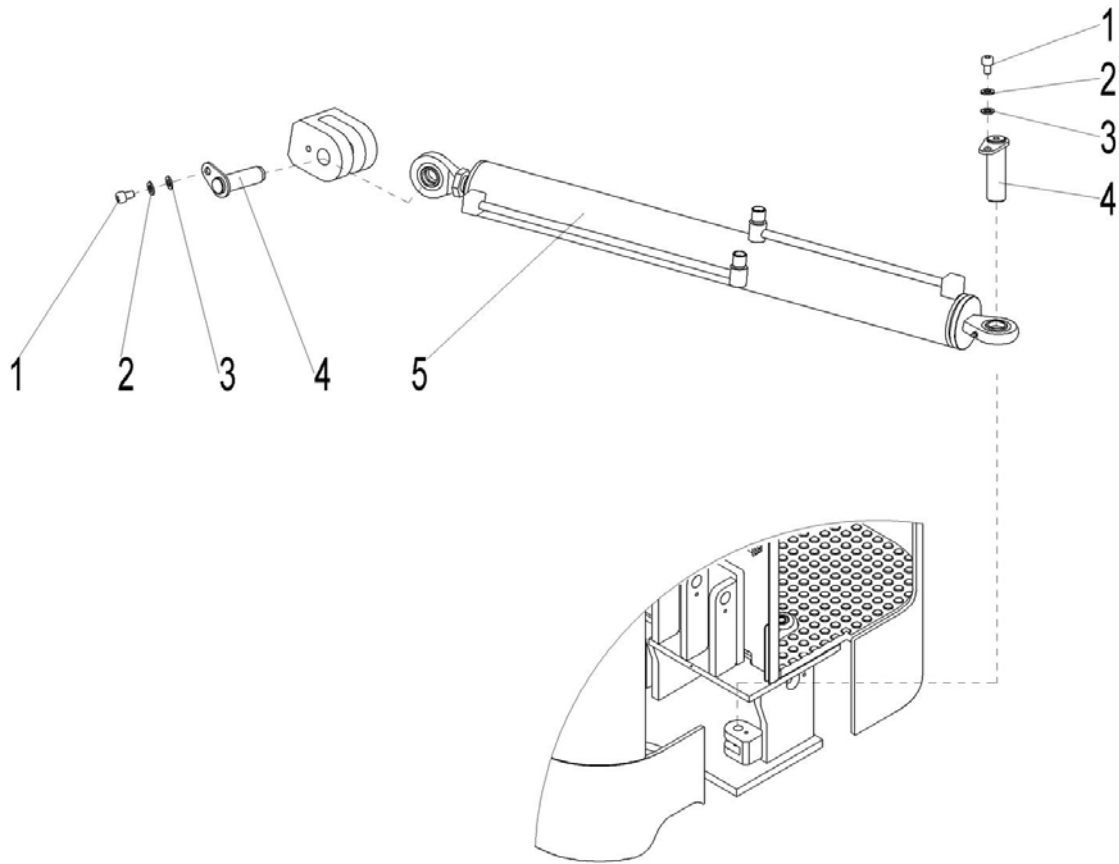


Fig. 13 Reach Cylinder Function Group

No.	Art No.	Description	Qty.	Note
1	910100300023	Bolt	2	GB5783-M8x25-8.8
2	910400500006	Washer	2	GB93-8
3	910400100006	Washer	2	GB97.1-8-200HV
4	216520010001	Axle	1	20x63
5	216520010000	Cylinder (Q)	1	56x30x560

Fig. 14 Truck body components

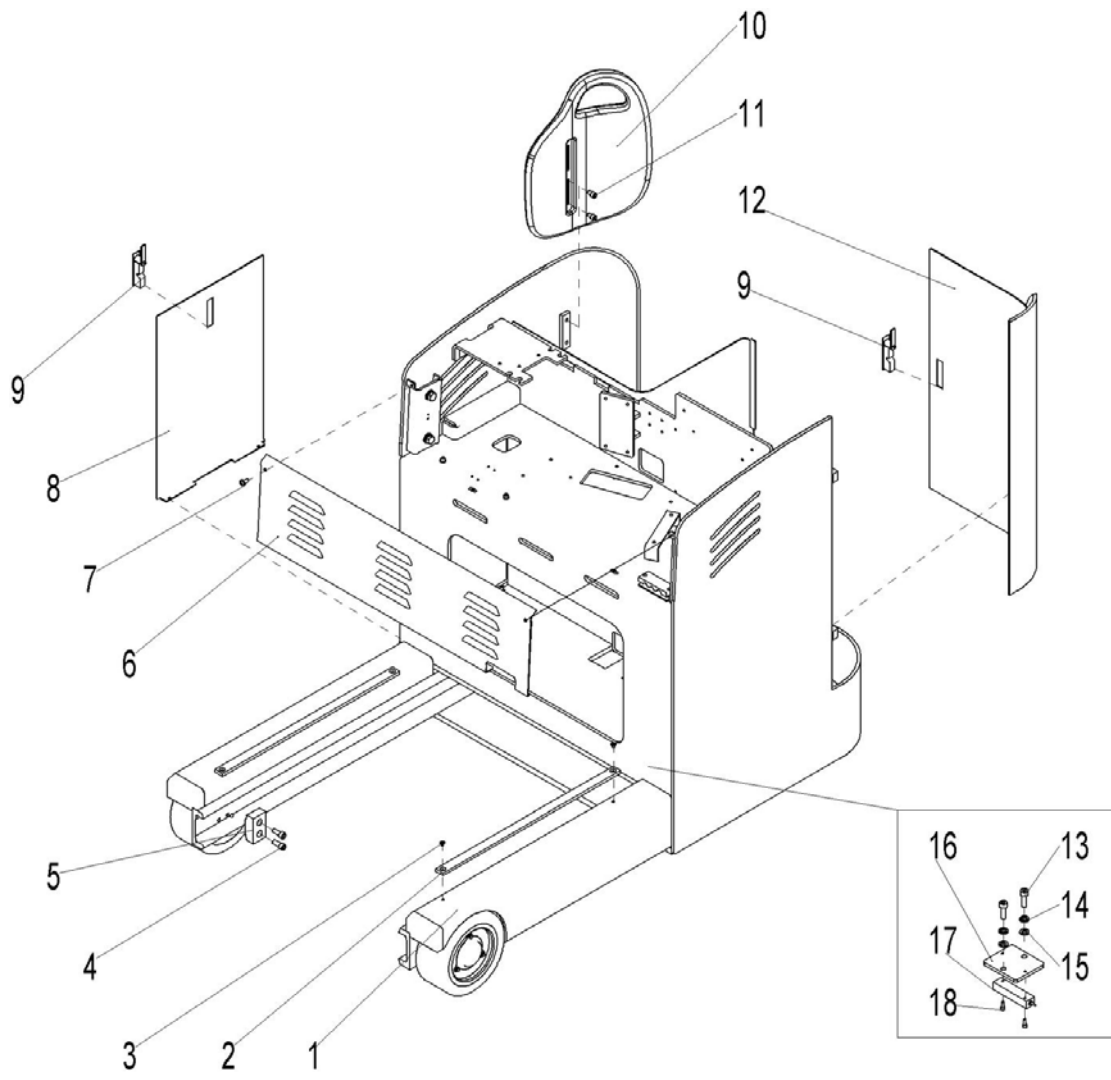


Fig. 14 Truck Body Components

No.	Art No.	Description	Qty.	Note
1	216521510000	Truck body welding	1	
2	216521520073	Linear guideway	2	
3	910200400025	Screw	2	GB70.3-M8x20-8.8
4	910200200098	Screw	4	GB70.1-M12x30-8.8
5	216521520001	Damping block	2	
6	216521510004	Seal plate welding (front)	1	
7	941100100007	Screw	2	M10x20-8.8
8	216521510002	Baffle welding (side)	1	
9	940800300005	Panel lock	2	AP305
10	216521510007	Backrest components	1	
11	910200300023	Screw	2	GB70.2-M8x12-8.8
12	216521510001	Door welding	1	
13	910200200058	Screw	2	GB70.1-M8x25-8.8
14	910400500006	Washer	2	GB93-8
15	910400100006	Washer	2	GB97.1-8-200HV
16	216521520072	Assembly plate(magnet switch)	1	
17	920200500002	Magnet switch	1	K-01
18	910200500026	Screw	2	GB818-M4x20-4.8

Fig. 15 Overhead guard components

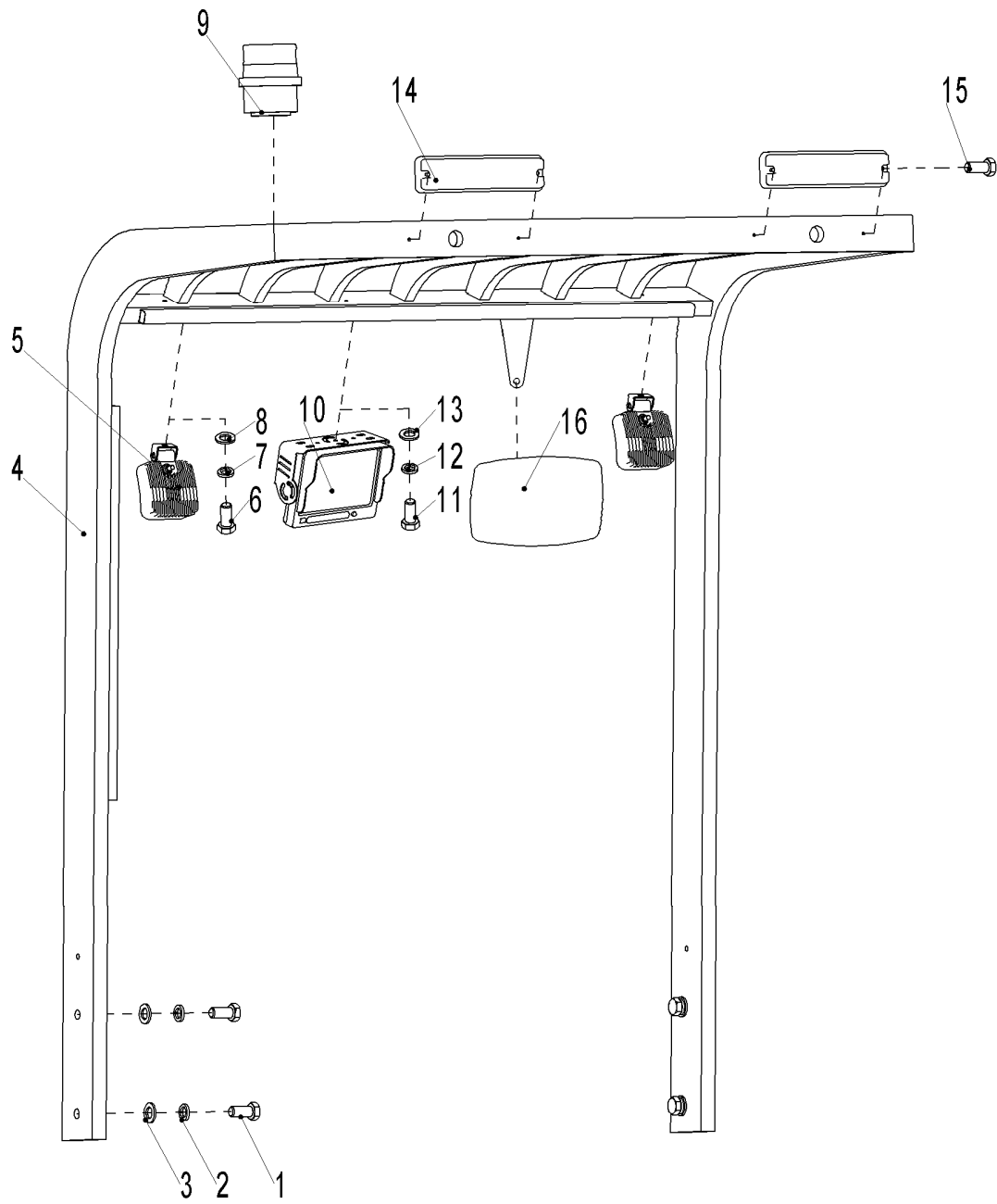


Fig.15 Overhead Guard Components

No.	Art No.	Description	Qty.	Note
1	910100400028	Screw	4	GB5786-M16x1.5x35-8.8
2	910400500010	Washer	4	GB93-16
3	910400100010	Washer	4	GB97.1-16-200HV
4	216522010000	Overhead guard welding	1	
5	922000100001	Light	2	• domestic sales
	922000100016		2	• export sales
6	910100300020	Screw	2	GB5783-M8x16-8.8
7	910400500006	Washer	2	GB93-8
8	910400100006	Washer	2	GB97.1-8-200HV
9	922000100004	• Warning light	1	
10	921100100015	• Indicator	1	SP-727
11	910200200035	Screw	2	GB70.1-M6x16-8.8
12	910400500005	Washer	2	GB93-6
13	910400100005	Washer	2	GB97.1-6-200HV
14	922000100003	• Taillight	2	
15	910200500042	Washer	4	GB818-M25x25-4.8
16	940800100001	后视镜	1	

Fig.16 Truck body (hydraulic pipeline line three)

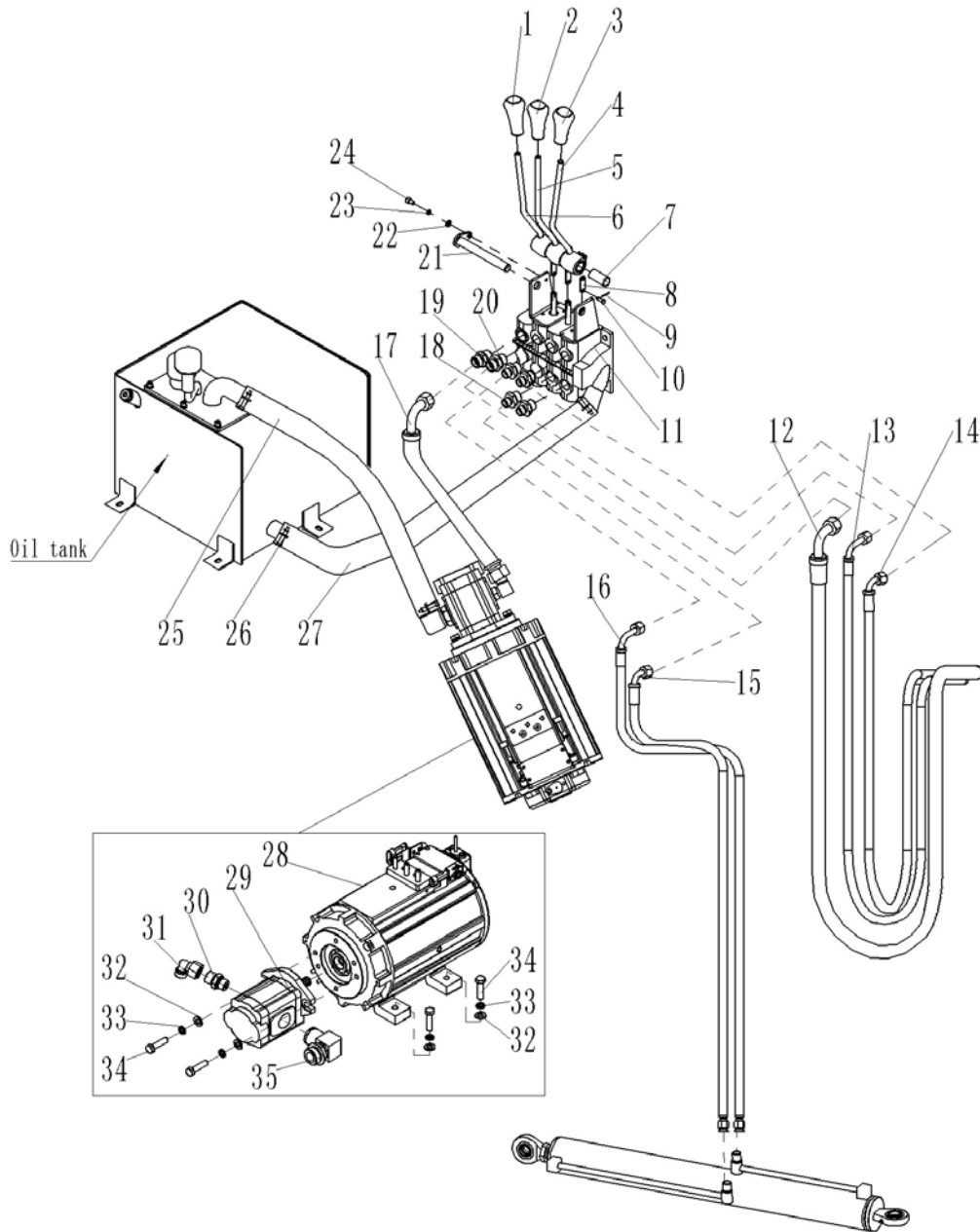


Fig. 16 Truck Body (hydraulic pipeline line three)

No.	Art No.	Description	Qty.	Note
1	216525020009	Handle knob	1	(lifting)
2	216525020010	Handle knob	1	(forward lead)
3	216525020011	Handle knob	1	(tilt)
4	216525010002	Control lever welding	1	(tilt)
5	216525010001	Control lever welding	1	(forward lead)
6	216525010000	Control lever welding	1	(lifting)
7	940500100006	Bushing	6	16x18x15-SF-1
8	216525020013	Pulling piece	3	

9	910600600005	Split pin	6	GB91-1.6x10
10	216525020014	Short axle	6	4.6x16
11	950700100001	Multiway valve line three	1	MSV04-3132-51
12	216525020001	Hydraulic hose assembly	1	(90°)15-L2200-2SC-24°
13	216525020004	Hydraulic hose assembly	1	(90°)10-L2200-2SC-24°
14	216525020005	Hydraulic hose assembly	1	(90°)10-L2200-2SC-24°
15	216525020003	Hydraulic hose assembly	1	(90°)10-L1100-2SC-24°
16	216525020002	Hydraulic hose assembly	1	(90°)10-L1100-2SC-24°
17	216525020006	Hydraulic hose assembly	1	(90°)15-L400-2SC-24°
18	950400400012	Joint	4	(straight)10-M20x1.5-M 16x1.5-24°
19	950400400007	Joint	1	(straight)15-2xM22x1.5- 24°
20	216525020000	Joint	1	(straight)15-M20x1.5-M 22x1.5-24°
21	216525010003	Axle	1	16x128
22	910400100005	Washer	1	GB97.1-6-200HV
23	910400500005	Washer	1	GB93-6
24	910200200032	Screw	1	GB70.1-M6x10-8.8
25	216525020009	Oil suction hose	1	44x34x342
26	911000600005	Hose clamp	4	QC/T390-(43-48)
27	216525020007	Oil return hose	1	44x33x330
28	920900100032	Motor	1	(AC)YDB8.6-4NL
29	251023510004	Gear pump	1	DSG05C16F9H1-R016 C
30	950400300010	Joint	1	(straight)15-G1/2-M22x 1.5-24°
31	950400200005	Joint	1	15-2xM22x1.5-24°
32	910400100007	Washer	6	GB97.1-10-200HV
33	910400500007	Washer	6	GB93-10
34	910100300039	Bolt	6	GB5783-M10x40-8.8
35	216525020008	Joint	1	G1-34

Fig.17 Truck body (hydraulic pipeline line four)

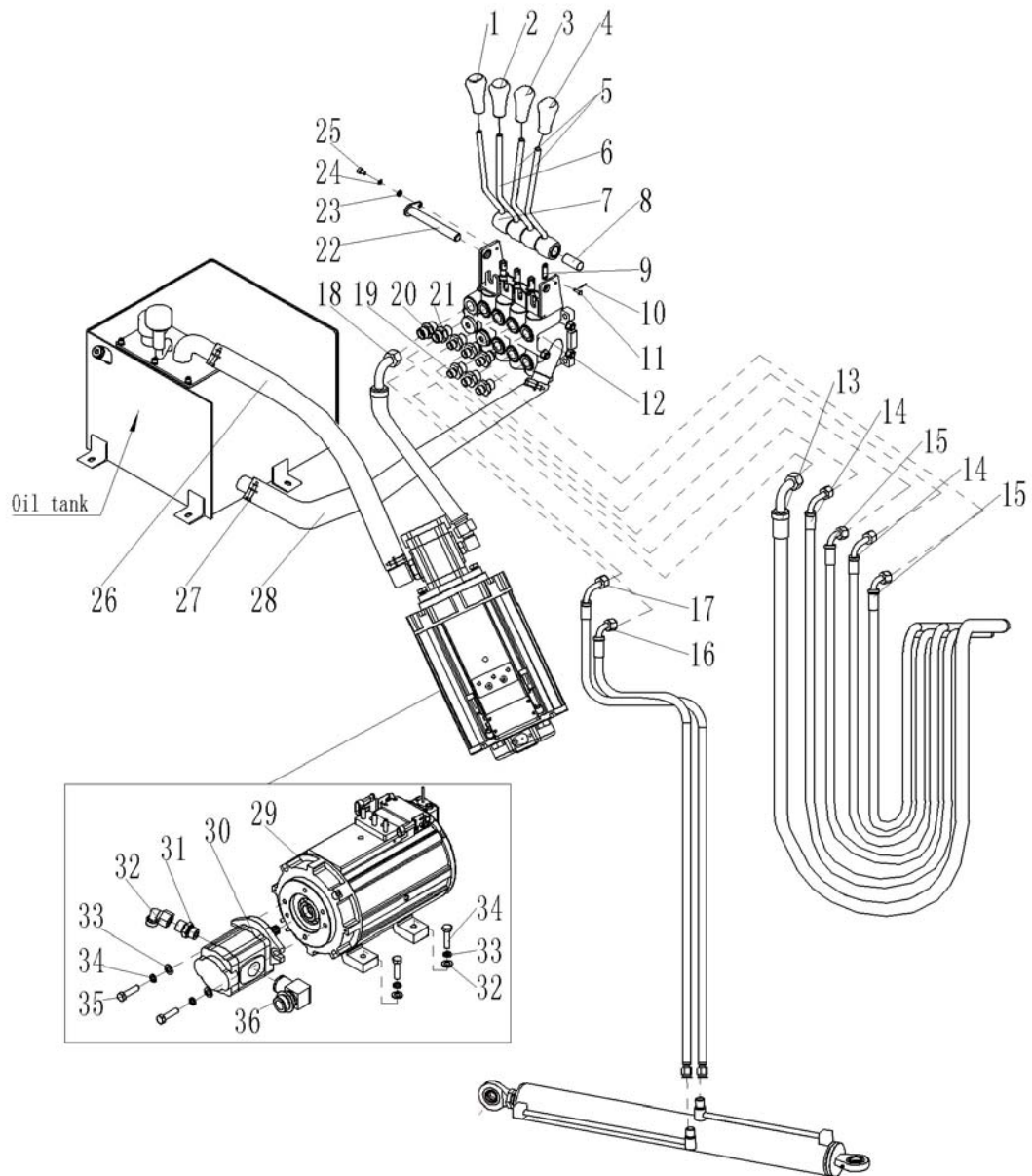


Fig. 17 Truck Body (hydraulic pipeline line four)

No.	Art No.	Description	Qty.	Note
1	216525020009	Handle knob	1	(lifting)
2	216525020010	Handle knob	1	(forward lead)
3	216525020011	Handle knob	1	(tilt)
4	216525520000	Handle knob	1	(sideway)
5	216525010002	Control lever welding	2	(tilt)
6	216525010001	Control lever welding	1	(forward lead)
7	216525010000	Control lever welding	1	(lifting)
8	940500100006	Bushing	8	16x18x15-SF-1

9	216525020013	Pulling piece	4	
10	910600600005	Split pin	8	GB91-1.6x10
11	216525020014	Short axle	8	4.6x16
12	950700100003	Multiway valve line four	1	MSV04-41323-50
13	216525020001	Hydraulic hose assembly	1	(90°)15-L2200-2SC-24°
14	216525020004	Hydraulic hose assembly	2	(90°)10-L2200-2SC-24°
15	216525020005	Hydraulic hose assembly	2	(90°)10-L2200-2SC-24°
16	216525020003	Hydraulic hose assembly	1	(90°)10-L1100-2SC-24°
17	216525020002	Hydraulic hose assembly	1	(90°)10-L1100-2SC-24°
18	216525020006	Hydraulic hose assembly	1	(90°)15-L400-2SC-24°
19	950400400012	Joint	4	(straight)10-M20x1.5-M16x1.5-24 °
20	950400400007	Joint	1	(straight)15-2xM22x1.5-24°
21	216525020000	Joint	1	(straight)15-M20x1.5-M22x1.5-24 °
22	216525010003	Axle	1	16x128
23	910400100005	Washer	1	GB97.1-6-200HV
24	910400500005	Washer	1	GB93-6
25	910200200032	Screw	1	GB70.1-M6x10-8.8
26	216525020009	Oil suction hose	1	44x34x342
27	911000600005	Hose clamp	4	QC/T390-(43-48)
28	216525020007	Oil return hose	1	44x33x330
29	920900100032	Motor	1	(AC)YDB8.6-4NL
30	251023510004	Gear pump	1	DSG05C16F9H1-R016C
31	950400300010	Joint	1	(straight)15-G1/2-M22x1.5-24°
32	950400200005	Joint	1	15-2xM22x1.5-24°
33	910400100007	Washer	6	GB97.1-10-200HV
34	910400500007	Washer	6	GB93-10
35	910100300039	Bolt	6	GB5783-M10x40-8.8
36	216525020008	Joint	1	G1-34

Fig. 18 Electric steering unit

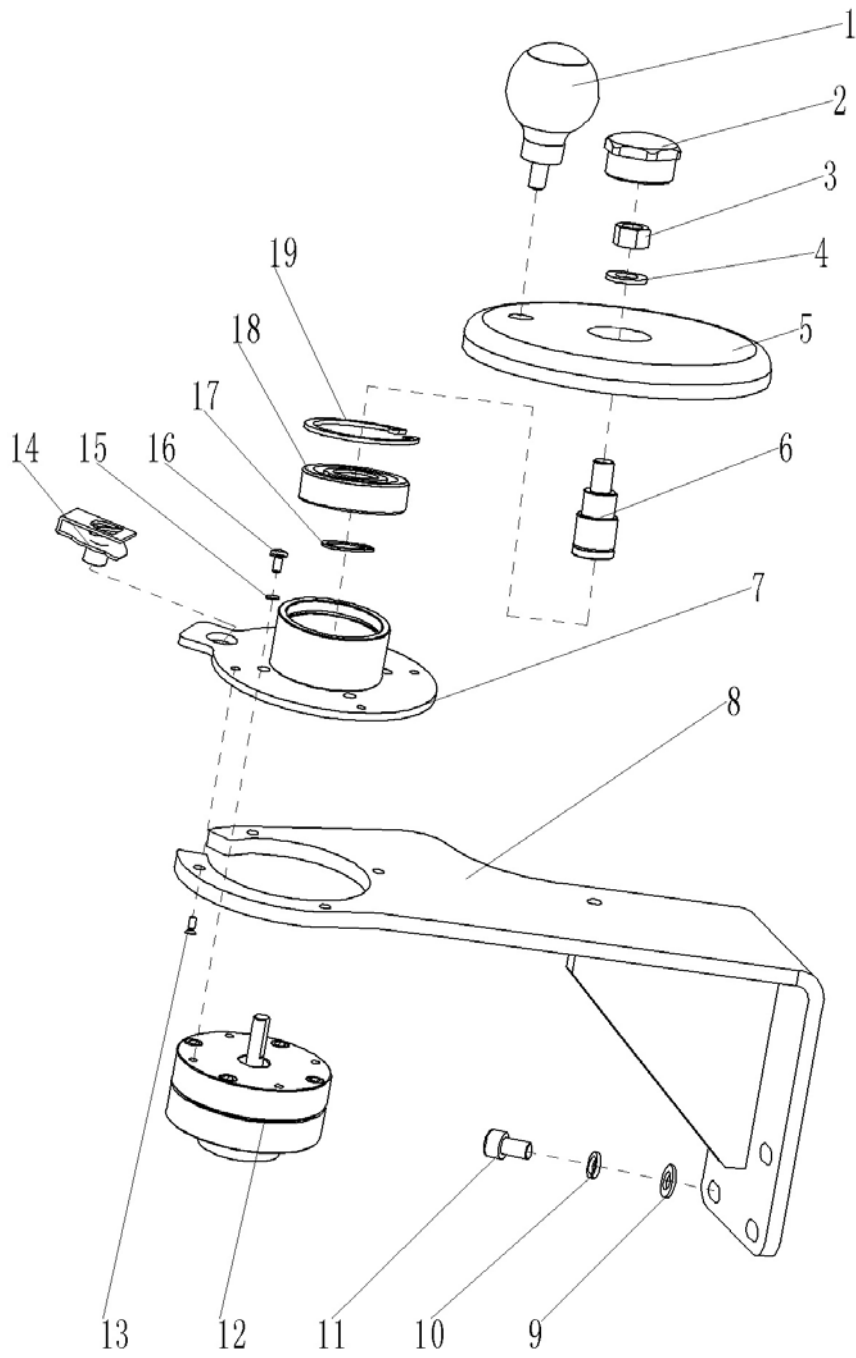


Fig. 18 Electric Steering Unit

No.	Art No.	Description	Qty.	Note
1	213031520009	Steering wheel knob	1	
2	253522020024	Rubber seal cap	1	
3	910300100007	Nut	1	GB6170-M10-10
4	910400100007	Washer	1	GB97.1-10-200HV
5	216531510000	Steering wheel welding	1	
6	216531520002	Fixed axle	1	20x47
7	216531510002	Axle bushing welding	1	
8	216531510001	Fixed frame welding	1	
9	910400100006	Washer	4	GB97.1-8-200HV
10	910400500006	Washer	4	GB93-8
11	910200200058	GB70.1-M8x25-8.8	4	Screw
12	921800200004	Potentiometer	1	TY1204-1
13	910200400010	Screw	4	GB70.3-M5x10-8.8
14	940400400003	Nut	1	M10-t(3-5)
15	910200500038	Screw	4	GB818-M5x12-4.8
16	910400100004	Washer	4	GB97.1-5-200HV
17	910401300011	Circlip	1	GB894.1-20
18	910700200019	Bearing	1	GB276-6204-2RS
19	910401400013	Circlip	1	GB893.1-47

Fig. 19 Three stage mast(fork arm carriage components)

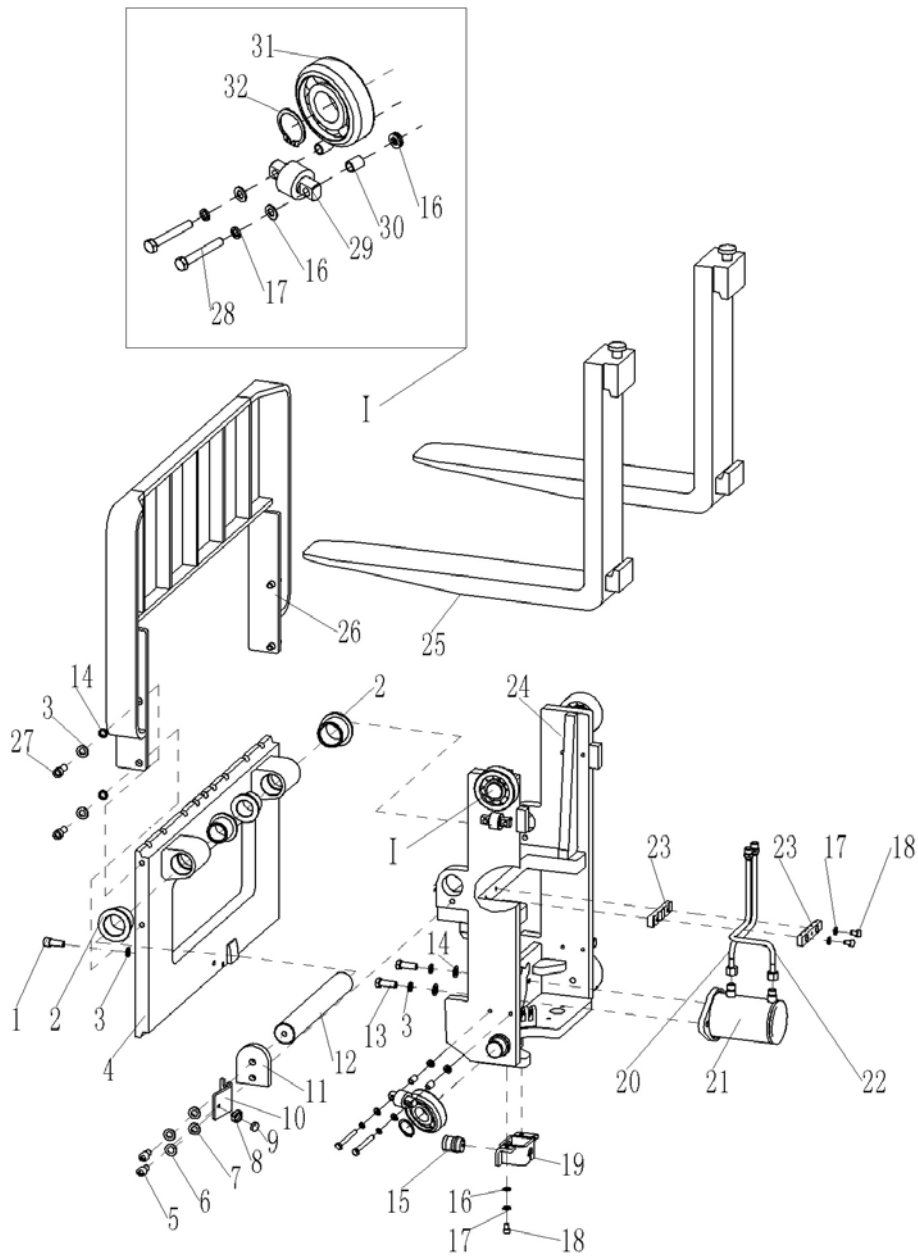


Fig. 19 Three Stage Mast(fork arm carriage components)

No.	Art No.	Description	Qty.	Note
1	910200200098	Screw	1	GB70.1-M12x30-8.8
2	940500400002	Self lubricating bearing	4	35x45x40
3	910400500008	Washer	7	GB93-12
4	216538010003	Fork arm carriage welding	1	(three stage mast FFL)
5	910200200077	Screw	4	GB70.1-M10x30-8.8
6	910400500007	Washer	4	GB93-10
7	910100300039	Bolt	4	GB5783-M10x40-8.8

8	940600200001	Magnet steel seat	1	18x16
9	940600100001	Magnet steel	1	18x5
10	216538010004	Connecting base welding(magnet steel)	1	
11	212038020009	Baffle	2	
12	216538020017	Axle	1	35x660
13	910100300050	Bolt	2	GB5783-M12x30-8.8
14	910400100008	Washer	6	GB97.1-12-200HV
15	921100100016	Camera	1	DF-8013R-2.9
16	910400100006	Washer	3	GB97.1-8-200HV
17	910400500006	Washer	3	GB93-8
18	910200200058	Screw	3	GB70.1-M8x25-8.8
19	213036010000	Fixed plate welding	1	
20	216544520027	Hydraulic steel pipe welding 5	1	
21	201020510000	Cylinder (T)	1	63x40x35
22	216544520026	Hydraulic steel pipe welding 4	1	
23	201038020008	Pipe clamp	2	4x10-8
24	216538010002	Carriage welding	1	
25	940100100001	Hook	2	II A fork 100x35x920
	940100100002	Hook		II A fork 100x35x950
	940100100003	Hook		II A fork 100x35x1070
	940100100004	Hook		II A fork 100x35x1150
	940100100005	Hook		II A fork 100x35x1220
26	216540510000	Load backrest welding(885)	1	
	216540510001	Load backrest welding(872)	1	Sidesway
I	213098510002	Roller components	4	
27	910100300051	Bolt	2	GB5783-M12x35-8.8
28	910100100023	Bolt	2	GB5782-M8x45-8.8
29	940200200003	Side roller	1	34-CD=45
30	216544020002	Spacer bushing	2	12x9x15
31	940200199001	Main roller	4	88.4-92.4x35x28collective diagram
	940200100005	Main roller		88.4x35x28
	940200100013	Main roller		88.9x35x28
	940200100014	Main roller		89.4x35x28
32	910401300018	Circlip	1	GB894.1-35

Fig. 20 Three stage mast(outer mast)

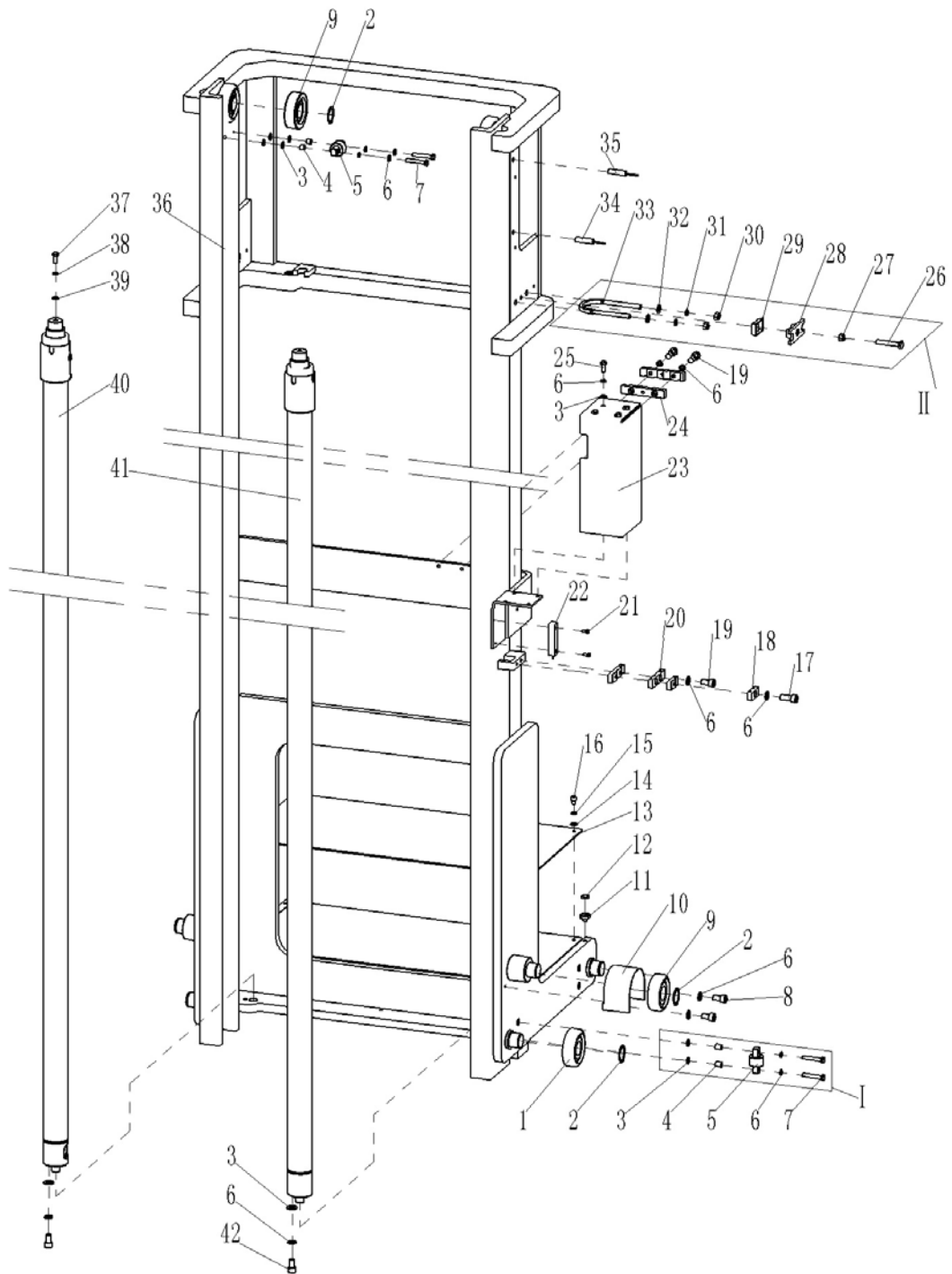


Fig. 20 Three Stage Mast(outer mast)

No.	Art No.	Description	Qty.	Note
1	940200100006	Main roller	4	92.4x35x28
2	910401300018	Circlip	8	GB894.1-35
I	216598510003	Side roller components	6	
3	910400100006	Washer	24	GB97.1-8-200HV
4	216544020002	Spacer bushing	12	12x9x15
5	940200200003	Side roller	6	34-CD=45
6	910400500006	Washer	28	GB93-8
7	910100100023	Bolt	12	GB5782-M8x45-8.8
8	910200200053	Screw	4	GB70.1-M8x12-8.8
9	940200100005	Main roller	4	88.4x35x28
	940200100013	Main roller	4	88.9x35x28
	940200100014	Main roller	4	89.4x35x28
10	216544020047	Protective cover(Main roller)	2	
11	940600200001	Magnet steel seat	1	18x16
12	940600100001	Magnet steel	1	18x5
13	216544020001	Seal plate(upper)	1	
14	910400100004	Washer	4	GB97.1-5-200HV
15	910400500004	Washer	4	GB93-5
16	910200200022	Screw	4	GB70.1-M5x12-8.8
17	910200200064	Screw	1	GB70.1-M8x55-8.8
18	201044520062	Pipe clamp	2	2x10,8
19	910200200059	Screw	3	GB70.1-M8x30-8.8
20	216544020049	Pipe clamp	2	2x10-15
21	910200500026	Screw	2	GB818-M4x20-4.8
22	920200500002	Magnet switch	1	K-01
23	216544020000	Protective cover(oil tube)	1	
24	201038020008	Pipe clamp	2	4x10-8
25	910200200055	Screw	4	GB70.1-M8x16-8.8
II	213098510004	Cylinder hoop components	2	
26	910100300041	Bolt	1	GB5783-M10x50-8.8
27	910300100007	Nut	1	GB6170-M10-10
28	253544020006	Fixed seat	1	
29	253544020005	Rubber sleeve	1	
30	910300200002	Nut	2	GB6171-M10x1.25-10

31	910400500007	Washer	2	GB93-10
32	910400100007	Washer	2	GB97.1-10-200HV
33	253544020004	Hoop 68	1	
34	920200400002	Proximity switch	1	Fi4-G12-OP6L
35	920200400009	Proximity switch	1	Fi4-G12-CP6L
36	216544510001	Mast welding	1	Lifting4500
	216544510002	Mast welding		Lifting5000
	216544510003	Mast welding		Lifting5300
	216544510004	Mast welding		Lifting5500
	216544510005	Mast welding		Lifting5800
	216544510006	Mast welding		Lifting6000
	216544510007	Mast welding		Lifting6500
	216544510008	Mast welding		Lifting7000
	216544510009	Mast welding		Lifting7500
	216544510010	Mast welding		Lifting8000
37	910100300053	Bolt		GB5783-M12x45-8.8
38	910400500008	Washer	2	GB93-12
39	910400100008	Washer	2	GB97.1-12-200HV
40	216544510041	Cylinder(R)	1	Lifting4500
	216544510042	Cylinder(R)		Lifting5000
	216544510043	Cylinder(R)		Lifting5300
	216544510044	Cylinder(R)		Lifting5500
	216544510045	Cylinder(R)		Lifting5800
	216544510046	Cylinder(R)		Lifting6000
	216544510047	Cylinder(R)		Lifting6500
	216544510048	Cylinder(R)		Lifting7000
	216544510049	Cylinder(R)		Lifting7500
	216544510050	Cylinder(R)		Lifting8000
41	212044510034	Cylinder(L)	1	Lifting4500
	212044510035	Cylinder(L)		Lifting5000
	212044510036	Cylinder(L)		Lifting5300
	212044510037	Cylinder(L)		Lifting5500
	212044510038	Cylinder(L)		Lifting5800
	212044510039	Cylinder(L)		Lifting6000
	212044510040	Cylinder(L)		Lifting6500
	212044510041	Cylinder(L)		Lifting7000
	212044510042	Cylinder(L)		Lifting7500
	212044510043	Cylinder(L)		Lifting8000
42	910200200060	Screw	2	GB70.1-M8x35-8.8

Fig. 21 Three stage mast(middle mast)

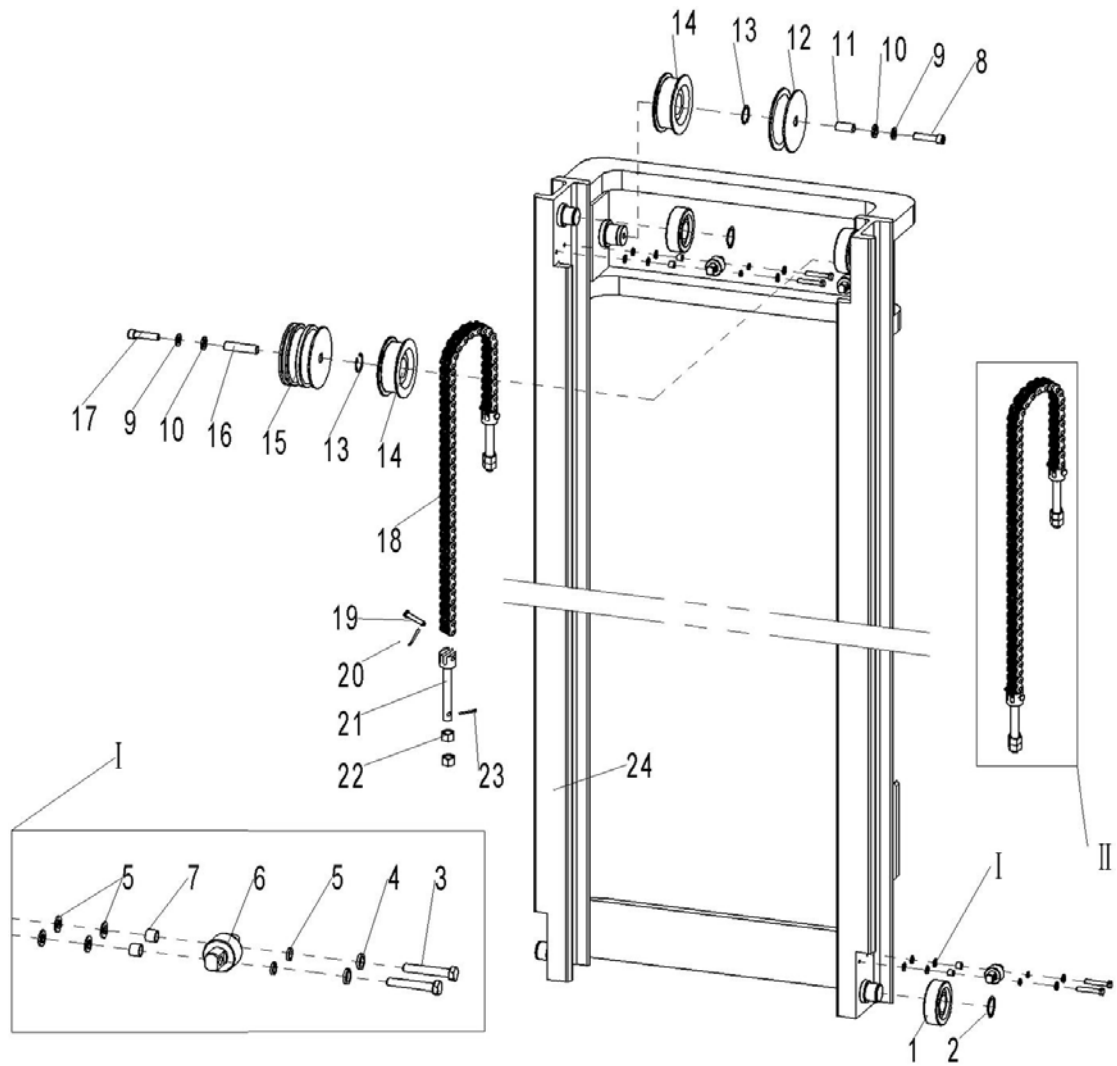


Fig. 21 Three Stage Mast(middle mast)

No.	Art No.	Description	Qty.	Note
I	216598510003	Side roller components	4	
1	940200100005	Main roller	4	88.4x35x28
	940200100013	Main roller		88.9x35x28
	940200100014	Main roller		89.4x35x28
2	910401300018	Circlip	4	GB894.1-35
3	910100100023	Bolt	2	GB5782-M8x45-8.8
4	910400500006	Washer	2	GB93-8
5	910400100006	Washer	4	GB97.1-8-200HV
6	940200200003	Side roller	1	34-CD=45
7	216544020002	Spacer bushing	2	12x9x15
8	910100100048	Bolt	1	GB5782-M12x50-8.8
9	910400500008	Washer	2	GB93-12
10	910400100008	Washer	2	GB97.1-12-200HV
11	213044520003	Spacer	1	17x13x36
12	213044520002	Pulley	1	75x34(Single groove)
13	910401300020	Circlip	2	GB894.1-40
14	940200500007	Bearing	2	HC235ZB-43501-100x40x3 1.3
15	201044520040	Pulley110x24(Single groove)	2	
	201044520040	Pulley110x24(Single groove)	4	Sidesway
16	201044520039	Bushing17x13x54	1	
	201030520009	Bushing17x13x122	1	Sidesway
17	910100300057	Bolt	1	GB5783-M12x70-8.8
II	252044010020	Lifting chain LH1234-115	2	Lifting4500
	252044010021	Lifting chain LH1234-125		Lifting5000
	216544510062	Lifting chain LH1234-129		Lifting5300
	212044510082	Lifting chain LH1234-133		Lifting5500
	212044510083	Lifting chain LH1234-137		Lifting5800
	216544510063	Lifting chain LH1234-141		Lifting6000
	216544510064	Lifting chain		Lifting6500

		LH1234-151		
	216544510065	Lifting chain LH1234-159		Lifting7000
	216544510066	Lifting chain LH1234-167		Lifting7500
	216544510067	Lifting chain LH1234-177		Lifting8000
18	910900400010	Chain	1	GB6074-LH1234
19	910600700029	Short axle	2	GB882-B8x40x2
20	910600600030	Split pin	2	GB91-3.2x30
21	252044020121	Bolt	2	M16x141
22	910300100010	Nut	4	GB6170-M16-10
23	910600600026	Split pin	4	GB91-3.2x20
24	216544510011	Mast welding	1	Lifting4500
	216544510012	Mast welding		Lifting5000
	216544510013	Mast welding		Lifting5300
	216544510014	Mast welding		Lifting5500
	216544510015	Mast welding		Lifting5800
	216544510016	Mast welding		Lifting6000
	216544510017	Mast welding		Lifting6500
	216544510018	Mast welding		Lifting7000
	216544510019	Mast welding		Lifting7500
	216544510020	Mast welding		Lifting8000

Fig. 22 Three stage mast(inner mast)

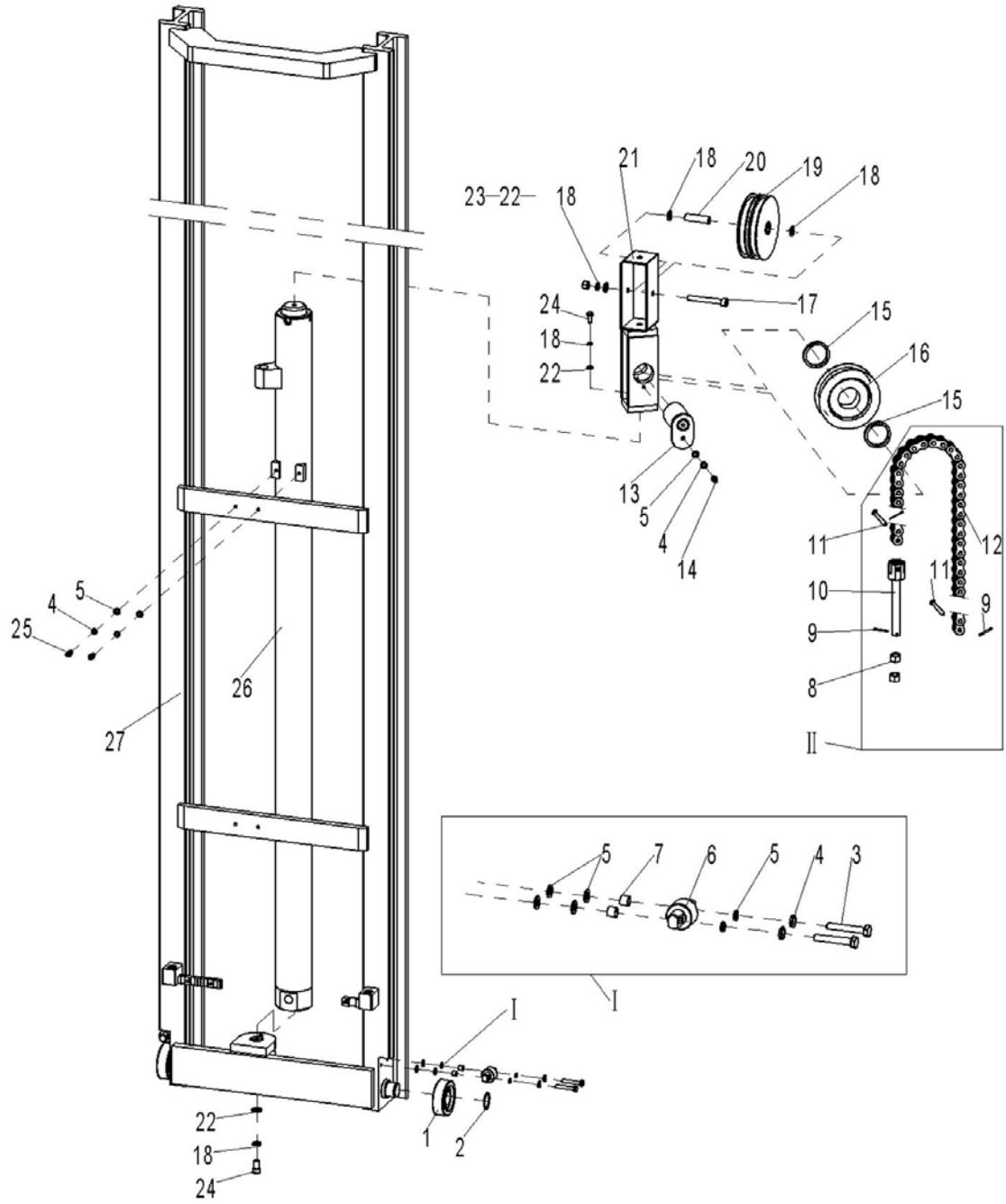


Fig. 22 Three Stage Mast(inner mast)

No.	Art No.	Description	Qty.	Note
1	940200100005	Main roller	2	88.4x35x28
	940200100013	Main roller		88.9x35x28
	940200100014	Main roller		89.4x35x28
2	910401300018	Circlip	2	GB894.1-35
I	216598510003	Side roller components	2	
3	910100100023	Bolt	2	GB5782-M8x45-8.8
4	910400500006	Washer	5	GB93-8
5	910400100006	Washer	4	GB97.1-8-200HV
6	940200200003	Side roller	1	34-CD=45
7	216544020004	Spacer bushing	2	12x9x15
II	212044510068	Lifting chain LH1634-63	2	Lifting4500
	212044510070	Lifting chain LH1634-67		Lifting5000
	212044510071	Lifting chain LH1634-69		Lifting5300
	212044510072	Lifting chain LH1634-67		Lifting5500
	216544510061	Lifting chain LH1634-71		Lifting5800
	212044510073	Lifting chain LH1634-73		Lifting6000
	212044510074	Lifting chain LH1634-75		Lifting6500
	212044510075	Lifting chain LH1634-83		Lifting7000
	212044510076	Lifting chain LH1634-87		Lifting7500
	212044510077	Lifting chain LH1634-91		Lifting8000
8	910300200005	Nut	2	GB6171-M20x1.5-10
9	910600600030	Split pin	3	GB91-3.2x30
10	254044020064	Bolt	1	M20x1.5-100
11	254044020063	Axle	2	9.5x32
12	910900400015	Chain	1	GB6074-LH1634
13	213044510002	Axle	1	55x84
14	910200200055	Screw	1	GB70.1-M8x16-8.8
15	212044520011	Washer	2	65x55x12
16	940200500008	Bearing	1	782311H-135x55x38
17	910100100056	Bolt GB5782-M12x90-8.8	1	
	910100100119	Bolt GB5782-M12x150-8.8	1	Sidesway
18	910400100008	Washer GB97.1-12-200HV	2	
19	201044520052	Pulley 145x22(Single groove)	2	
	201044520052	Pulley 145x22(Single groove)	4	Sidesway
20	201044520053	Bushing 17x13x62	1	
	201030520009	Bushing 17x13x122	1	Sidesway

21	216544510000	Mounting rack welding	1	
	216530510000	Mounting rack welding	1	Sidesway
22	910400500008	Washer	2	GB93-12
23	910300100008	Nut	1	GB6170-M12-10
24	910200200098	Screw	1	GB70.1-M12x30-8.8
25	910200200062	Screw	2	GB70.1-M8x45-8.8
26	216544510051	Cylinder(M)	1	Lifting 4500
	216544510052	Cylinder(M)		Lifting 5000
	216544510053	Cylinder(M)		Lifting 5300
	216544510054	Cylinder(M)		Lifting 5500
	216544510055	Cylinder(M)		Lifting 5800
	216544510056	Cylinder(M)		Lifting 6000
	216544510057	Cylinder(M)		Lifting 6500
	216544510058	Cylinder(M)		Lifting 7000
	216544510059	Cylinder(M)		Lifting 7500
	216544510060	Cylinder(M)		Lifting 8000
27	216544510021	Mast welding	1	Lifting 4500
	216544510022	Mast welding		Lifting 5000
	216544510023	Mast welding		Lifting 5300
	216544510024	Mast welding		Lifting 5500
	216544510025	Mast welding		Lifting 5800
	216544510026	Mast welding		Lifting 6000
	216544510027	Mast welding		Lifting 6500
	216544510028	Mast welding		Lifting 7000
	216544510029	Mast welding		Lifting 7500
	216544510030	Mast welding		Lifting 8000

Fig. 23 Three stage mast(hydraulic pipeline line three)

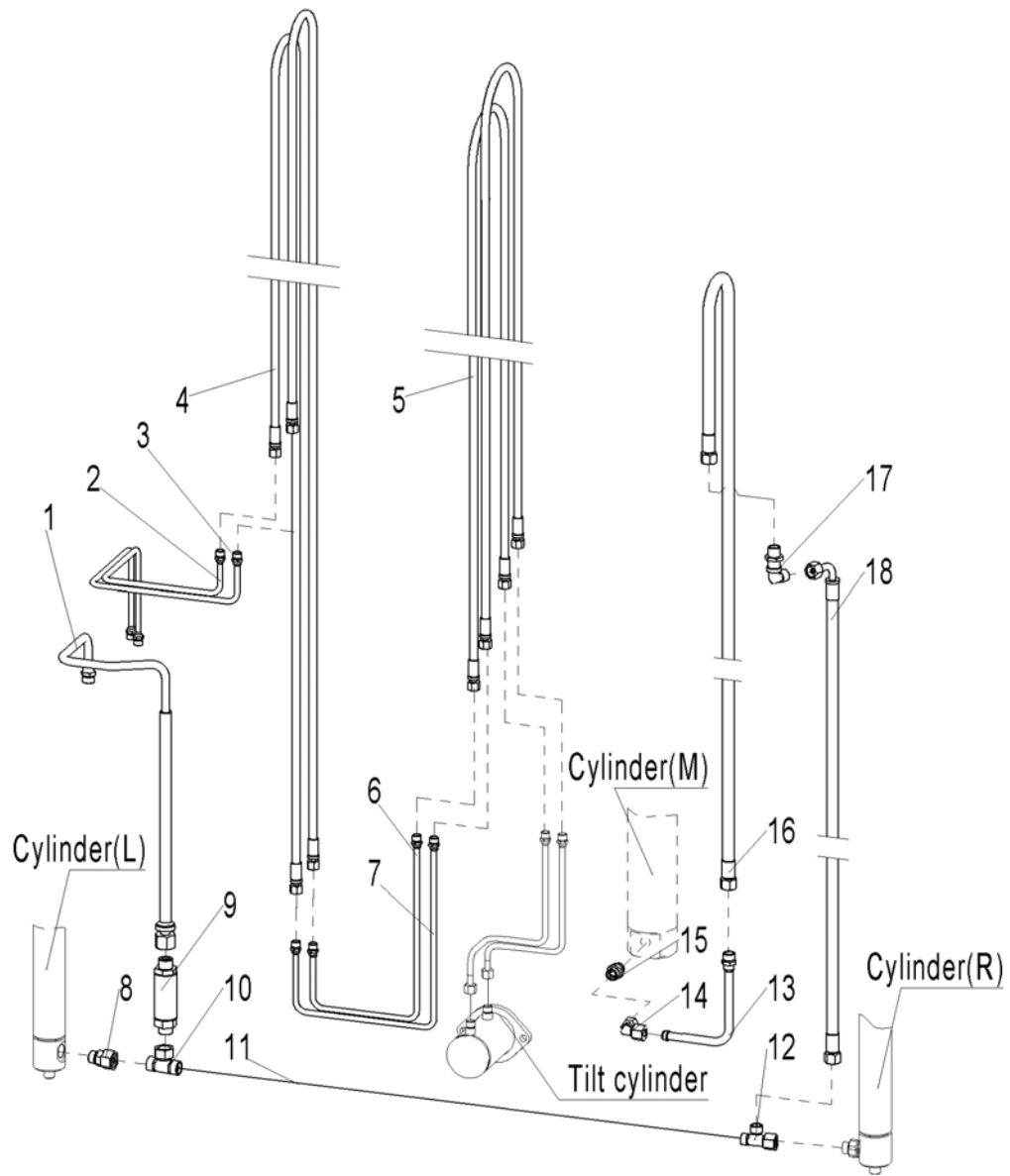


Fig. 23 Three Stage Mast(hydraulic pipeline line three)

No.	Art No.	Description	Qty.	Note
1	216544020068	Hydraulic hose assembly	1	15-L750-2SC-24°
2	216544020054	Hydraulic steel pipe welding 2	1	
3	216544020055	Hydraulic steel pipe welding 3	1	
4	216544520081	Hydraulic hose assembly(straight)10-L241 0-1SC-24°	2	Lifting 4500
	216544520082	Hydraulic hose assembly(straight)10-L275 0-1SC-24°		Lifting 5000
	216544520083	Hydraulic hose assembly(straight)10-L295 0-1SC-24°		Lifting 5300
	216544520084	Hydraulic hose assembly(straight)10-L307 0-1SC-24°		Lifting 5500
	216544520085	Hydraulic hose assembly(straight)10-L327 0-1SC-24°		Lifting 5800
	216544520086	Hydraulic hose assembly(straight)10-L341 0-1SC-24°		Lifting 6000
	216544520087	Hydraulic hose assembly(straight)10-L375 0-1SC-24°		Lifting 6500
	216544520088	Hydraulic hose assembly(straight)10-L407 0-1SC-24°		Lifting 7000
	216544520089	Hydraulic hose assembly(straight)10-L441 0-1SC-24°		Lifting 7500
	216544520090	Hydraulic hose assembly(straight)10-L475 0-1SC-24°		Lifting 8000
5	216544520091	Hydraulic hose assembly(straight)10-L174 0-1SC-24°	2	Lifting 4500
	216544520092	Hydraulic hose assembly(straight)10-L191 0-1SC-24°		Lifting 5000

	216544520093	Hydraulic hose assembly(straight)10-L201 0-1SC-24°		Lifting 5300
	216544520094	Hydraulic hose assembly(straight)10-L207 0-1SC-24°		Lifting 5500
	216544520095	Hydraulic hose assembly(straight)10-L217 0-1SC-24°		Lifting 5800
	201043020015	Hydraulic hose assembly(straight)10-L225 0-1SC-24°		Lifting 6000
	216544520081	Hydraulic hose assembly(straight)10-L241 0-1SC-24°		Lifting 6500
	216544520096	Hydraulic hose assembly(straight)10-L257 0-1SC-24°		Lifting 7000
	216544520082	Hydraulic hose assembly(straight)10-L275 0-1SC-24°		Lifting 7500
	216544520097	Hydraulic hose assembly(straight)10-L291 0-1SC-24°		Lifting 8000
6	216544520024	Hydraulic steel pipe welding 2	1	
7	216544520023	Hydraulic steel pipe welding 1	1	
8	950400100003	Joint	1	18-M22x1.5-M26x1.5-24°
9	950700300004	Speed limit valve	1	XSF-F16L-40
10	950400900003	Joint	1	(steering T)18-3xM26x1.5-24°
11	216544520030	Hydraulic hose assembly 15-L430-2SC-24°	1	
12	950401000002	Joint	1	(steering L)15-3xM22x1.5-24°
13	216544520025	Hydraulic steel pipe welding 3	1	
14	950400200005	Joint	1	15-2xM22x1.5-24°
15	950400400007	Joint	1	(straight)15-2xM22x1.5-24°
16	216544520098	Hydraulic hose assembly(straight)15-L208 0-2SC-24°	1	Lifting 4500

	216544520099	Hydraulic hose assembly(straight)15-L225 0-2SC-24°		Lifting 5000
	216544520100	Hydraulic hose assembly(straight)15-L235 0-2SC-24°		Lifting 5300
	216544520101	Hydraulic hose assembly(straight)15-L241 0-2SC-24°		Lifting 5500
	216544520102	Hydraulic hose assembly(straight)15-L251 0-2SC-24°		Lifting 5800
	216544520103	Hydraulic hose assembly(straight)15-L258 0-2SC-24°		Lifting 6000
	216544520104	Hydraulic hose assembly(straight)15-L275 0-2SC-24°		Lifting 6500
	216544520105	Hydraulic hose assembly(straight)15-L291 0-2SC-24°		Lifting 7000
	216544520106	Hydraulic hose assembly(straight)15-L308 0-2SC-24°		Lifting 7500
	216544520107	Hydraulic hose assembly(straight)15-L325 0-2SC-24°		Lifting 8000
17	950400600004	Joint	1	15-M22x1.5-M22x1.5-24°
18	216544520108	Hydraulic hose assembly(90°)15-L1400-2 SC-24°	1	Lifting 4500
	216544520109	Hydraulic hose assembly(90°)15-L1570-2 SC-24°		Lifting 5000
	216544520110	Hydraulic hose assembly(90°)15-L1670-2 SC-24°		Lifting 5300
	216544520111	Hydraulic hose assembly(90°)15-L1730-2 SC-24°		Lifting 5500
	216544520112	Hydraulic hose assembly(90°)15-L1830-2 SC-24°		Lifting 5800
	216544520113	Hydraulic hose		Lifting 6000

		assembly(90°)15-L1900-2 SC-24°		
	216544520114	Hydraulic hose assembly(90°)15-L2070-2 SC-24°		Lifting 6500
	216544520115	Hydraulic hose assembly(90°)15-L2230-2 SC-24°		Lifting 7000
	216544520116	Hydraulic hose assembly(90°)15-L2400-2 SC-24°		Lifting 7500
	216544520117	Hydraulic hose assembly(90°)15-L2570-2 SC-24°		Lifting 8000

Fig. 24 Three stage mast(hydraulic pipeline line four)

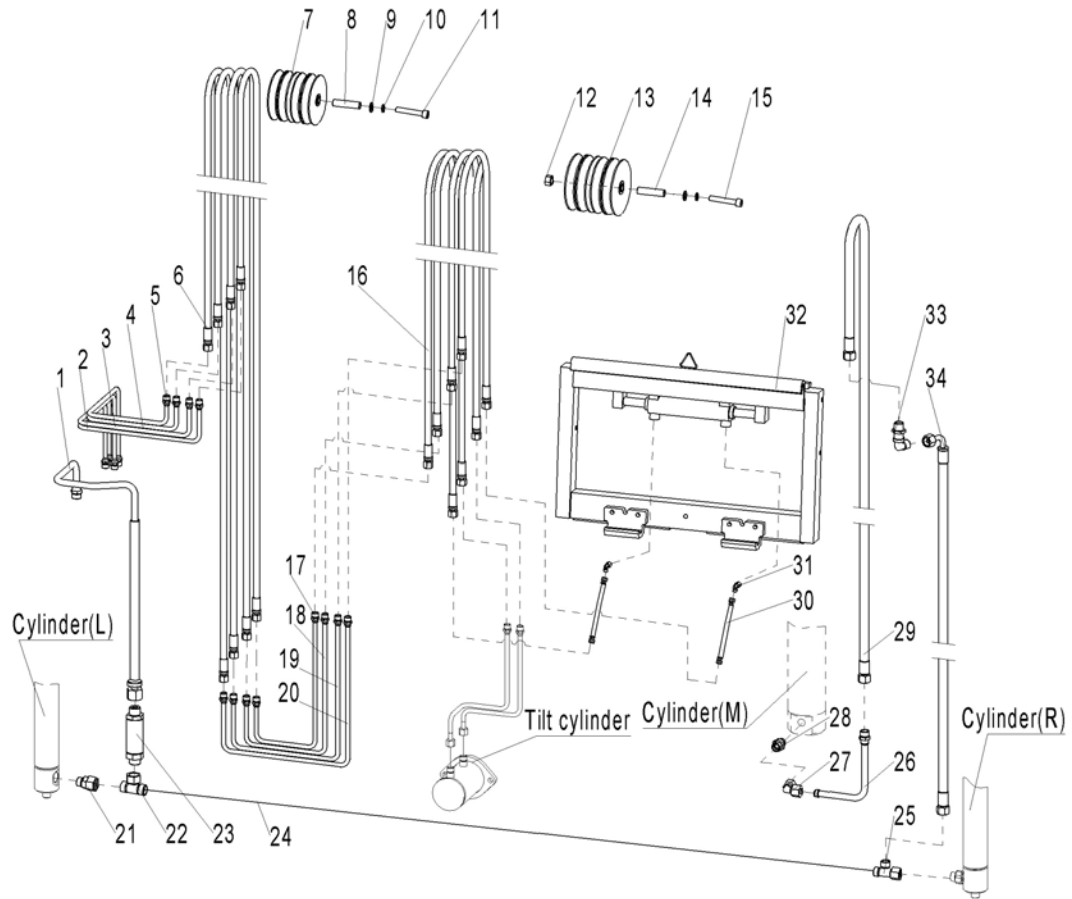


Fig. 24 Three Stage Mast(hydraulic pipeline line four)

No.	Art No.	Description	Qty.	Note
1	216544020068	Hydraulic hose assembly	1	15-L750-2SC-24°
2	216527520001	Hydraulic steel pipe welding 2	1	
3	216527520000	Hydraulic steel pipe welding 1	1	
4	216544020055	Hydraulic steel pipe welding 3	1	
5	216544020054	Hydraulic steel pipe welding 2	1	
6	216544520081	Hydraulic hose assembly(straight)10-L241 0-1SC-24°	4	Lifting 4500
	216544520082	Hydraulic hose assembly(straight)10-L275 0-1SC-24°		Lifting 5000
	216544520083	Hydraulic hose assembly(straight)10-L295 0-1SC-24°		Lifting 5300
	216544520084	Hydraulic hose assembly(straight)10-L307 0-1SC-24°		Lifting 5500
	216544520085	Hydraulic hose assembly(straight)10-L327 0-1SC-24°		Lifting 5800
	216544520086	Hydraulic hose assembly(straight)10-L341 0-1SC-24°		Lifting 6000
	216544520087	Hydraulic hose assembly(straight)10-L375 0-1SC-24°		Lifting 6500
	216544520088	Hydraulic hose assembly(straight)10-L407 0-1SC-24°		Lifting 7000
	216544520089	Hydraulic hose assembly(straight)10-L441 0-1SC-24°		Lifting 7500
	216544520090	Hydraulic hose assembly(straight)10-L475 0-1SC-24°		Lifting 8000
7	213030520007	Pulley	1	110x112
8	201030520007	Bushing	1	17x13x114

9	910400100008	Washer	3	GB97.1-12-200HV
10	910400500008	Washer	3	GB93-12
11	910100100061	Bolt	1	GB5782-M12x130-8.8
12	910300100008	Nut	1	GB6170-M12-10
13	213030520008	Pulley	1	145x112
14	201030520009	Bushing	1	17x13x122
15	910100100119	Bolt	1	GB5782-M12x150-8.8
16	216544520091	Hydraulic hose assembly(straight)10-L174 0-1SC-24°	4	Lifting 4500
	216544520092	Hydraulic hose assembly(straight)10-L191 0-1SC-24°		Lifting 5000
	216544520093	Hydraulic hose assembly(straight)10-L201 0-1SC-24°		Lifting 5300
	216544520094	Hydraulic hose assembly(straight)10-L207 0-1SC-24°		Lifting 5500
	216544520095	Hydraulic hose assembly(straight)10-L217 0-1SC-24°		Lifting 5800
	201043020015	Hydraulic hose assembly(straight)10-L225 0-1SC-24°		Lifting 6000
	216544520081	Hydraulic hose assembly(straight)10-L241 0-1SC-24°		Lifting 6500
	216544520096	Hydraulic hose assembly(straight)10-L257 0-1SC-24°		Lifting 7000
	216544520082	Hydraulic hose assembly(straight)10-L275 0-1SC-24°		Lifting 7500
	216544520097	Hydraulic hose assembly(straight)10-L291 0-1SC-24°		Lifting 8000
17	216530520003	Hydraulic steel pipe welding 4	1	
18	216530520002	Hydraulic steel pipe welding 3	1	
19	216530520001	Hydraulic steel pipe welding 2	1	

20	216530520000	Hydraulic steel pipe welding 1	1	
21	950400100003	Joint	1	18-M22x1.5-M26x1.5-24°
22	950400900003	Joint	1	(steering T)18-3xM26x1.5-24°
23	950700300004	Speed limit valve	1	XSF-F16L-40
24	216544520030	Hydraulic hose assembly 15-L430-2SC-24°	1	
25	950401000002	Joint	1	(steering L)15-3xM22x1.5-24°
26	216544520025	Hydraulic steel pipe welding 3	1	
27	950400200005	Joint	1	15-2xM22x1.5-24°
28	950400400007	Joint	1	(straight)15-2xM22x1.5-24°
29	216544520098	Hydraulic hose assembly(straight)15-L208 0-2SC-24°	1	Lifting 4500
	216544520099	Hydraulic hose assembly(straight)15-L225 0-2SC-24°		Lifting 5000
	216544520100	Hydraulic hose assembly(straight)15-L235 0-2SC-24°		Lifting 5300
	216544520101	Hydraulic hose assembly(straight)15-L241 0-2SC-24°		Lifting 5500
	216544520102	Hydraulic hose assembly(straight)15-L251 0-2SC-24°		Lifting 5800
	216544520103	Hydraulic hose assembly(straight)15-L258 0-2SC-24°		Lifting 6000
	216544520104	Hydraulic hose assembly(straight)15-L275 0-2SC-24°		Lifting 6500
	216544520105	Hydraulic hose assembly(straight)15-L291 0-2SC-24°		Lifting 7000
	216544520106	Hydraulic hose assembly(straight)15-L308 0-2SC-24°		Lifting 7500
	216544520107	Hydraulic hose assembly(straight)15-L325		Lifting 8000

		0-2SC-24°		
30	201030520012	Hydraulic steel pipe welding 10	2	
31	950401100003	Joint	2	10-G1/4-M16x1.5-24°
32	940100200001	Side shifter		GC20NL
33	950400600004	Joint	1	15-M22x1.5-M22x1.5-24°
34	216544520108	Hydraulic hose assembly(90°)15-L1400-2 SC-24°	1	Lifting 4500
	216544520109	Hydraulic hose assembly(90°)15-L1570-2 SC-24°		Lifting 5000
	216544520110	Hydraulic hose assembly(90°)15-L1670-2 SC-24°		Lifting 5300
	216544520111	Hydraulic hose assembly(90°)15-L1730-2 SC-24°		Lifting 5500
	216544520112	Hydraulic hose assembly(90°)15-L1830-2 SC-24°		Lifting 5800
	216544520113	Hydraulic hose assembly(90°)15-L1900-2 SC-24°		Lifting 6000
	216544520114	Hydraulic hose assembly(90°)15-L2070-2 SC-24°		Lifting 6500
	216544520115	Hydraulic hose assembly(90°)15-L2230-2 SC-24°		Lifting 7000
	216544520116	Hydraulic hose assembly(90°)15-L2400-2 SC-24°		Lifting 7500
	216544520117	Hydraulic hose assembly(90°)15-L2570-2 SC-24°		Lifting 8000

Fig. 25 Two stage mast(fork carriage components)

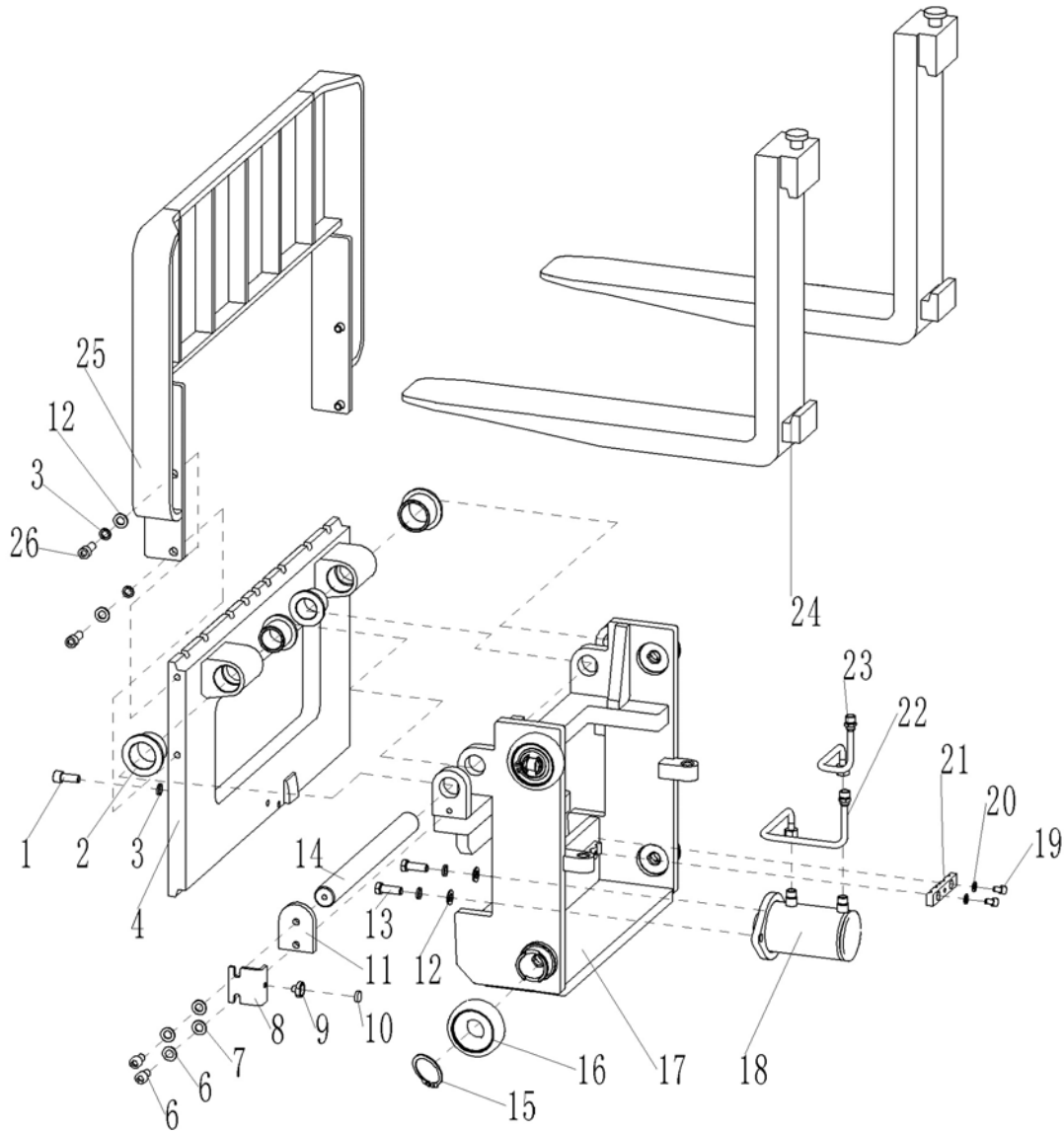


Fig. 25 Two Stage Mast(fork carriage components)

No.	Art No.	Description	Qty.	Note
1	910200200098	Screw	1	GB70.1-M12x30-8.8
2	940500400002	Self lubricating bearing	4	35x45x40
3	910400500008	Washer	7	GB93-12
4	216538010001	Fork carriage welding	1	(two stage standard mast)
5	910200200077	Screw	4	GB70.1-M10x30-8.8

6	910400500007	Washer	4	GB93-10
7	910100300039	Bolt	4	GB5783-M10x40-8.8
8	216538020003	Connecting plate	1	
9	940600200001	Magnet steel seat 18x16	1	
10	940600100001	Magnet steel 18x5	1	
11	212038020009	Baffle	2	
12	910400100008	Washer	6	GB97.1-12-200HV
13	910100300050	Bolt	2	GB5783-M12x30-8.8
14	216538020000	Axle	1	35x778
15	910401300026	Circlip	4	GB894.1-55
16	940200300012	Compound roller	4	110-range=50-55
17	216538010000	Carriage welding	1	
18	201020510000	Cylinder(T)	1	63x40x35
19	910200200058	Screw	2	GB70.1-M8x25-8.8
20	910400500006	Washer	2	GB93-8
21	201038020008	Pipe clamp	2	4x10-8
22	216544020056	Hydraulic steel pipe welding 4	1	
23	216544020057	Hydraulic steel pipe welding 5	1	
24	940100100001	Hook	2	II A fork 100x35x920
	940100100002	Hook		II A fork 100x35x950
	940100100003	Hook		II A fork 100x35x1070
	940100100004	Hook		II A fork 100x35x1150
	940100100005	Hook		II A fork 100x35x1220
25	216540510000	Load backrest welding(885)	1	
	216540510001	Load backrest welding(872)	1	Sidesway
26	910100300051	Bolt	2	GB5783-M12x35-8.8

Fig. 26 Two stage mast(mast components)

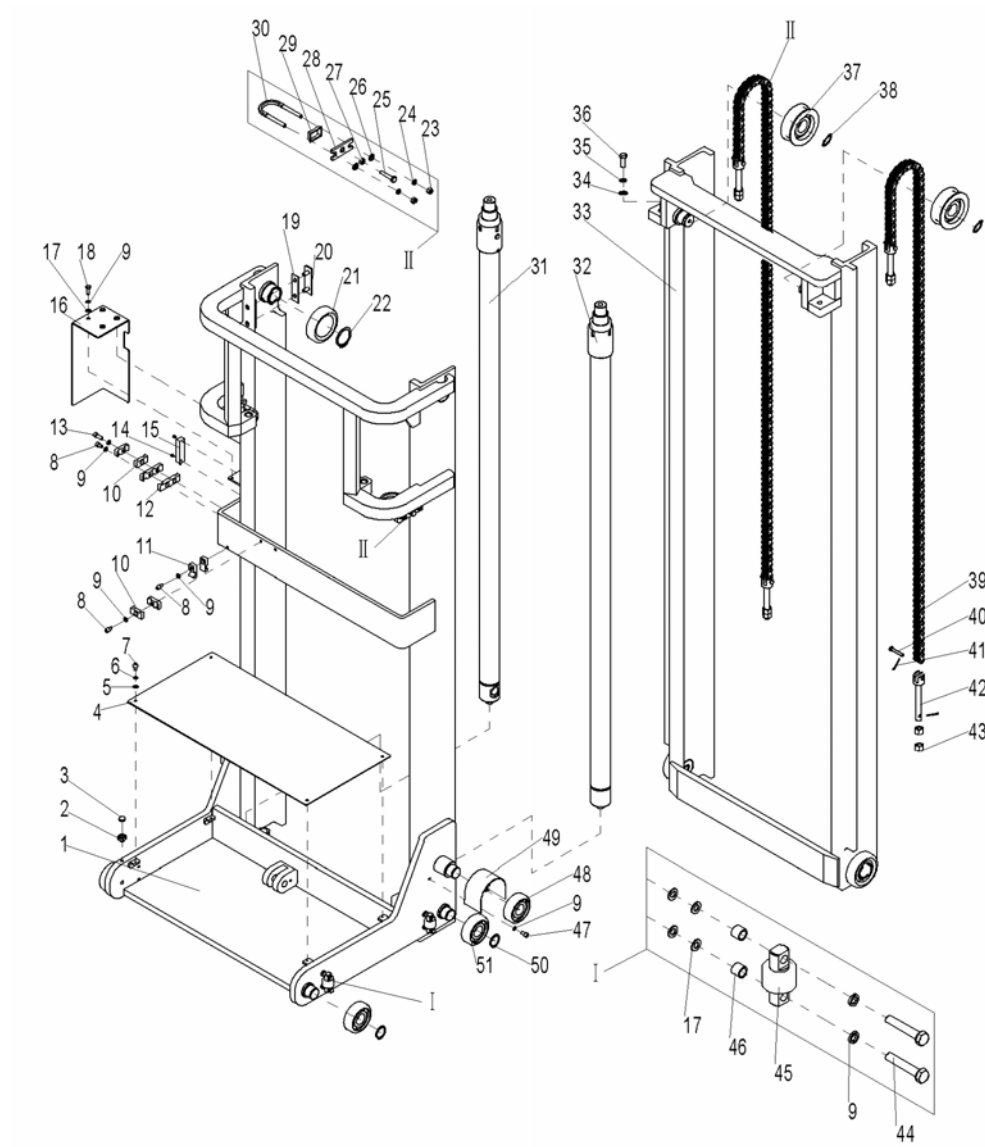


Fig. 26 Two Stage Mast(mast components)

No.	Art No.	Description	Qty.	Note
1	216544010000	Mast welding	1	Lifting 2500
	216544010001			Lifting 2700
	216544010002			Lifting 3000
	216544010003			Lifting 3300
	216544010004			Lifting 3600
	216544010005			Lifting 4000
	216544010006			Lifting 4500
2	940600200001	Magnet steel seat18x16	1	
3	940600100001	Magnet steel 18x5	1	

4	216544020001	Seal plate(upper)	1	
5	910400100004	Washer	4	GB97.1-5-200HV
6	910400500004	Washer	4	GB93-5
7	910200200022	Screw	4	GB70.1-M5x12-8.8
8	910200200059	Screw	2	GB70.1-M8x30-8.8
9	910400500006	Washer	2	GB93-8
10	201044520062	Pipe clamp	4	2x10,8
11	216544020050	Pipe clamp	2	15
12	216544020049	Pipe clamp	2	2x10-15
13	910200200064	Screw	1	GB70.1-M8x55-8.8
14	910200500026	Screw	2	GB818-M4x20-4.8
15	920200500002	Magnet switch	1	K-01
16	216544020000	Protective cover(oil tube)	1	
17	910400100006	Washer	4	GB97.1-8-200HV
18	910200200053	Screw	4	GB70.1-M8x12-8.8
19	253544002012	Adjusting washer	several	
20	253544020100	Guide plate	2	
21	940200300012	Compound roller	2	110-range=50-55
22	910401300026	Circlip	2	GB894.1-55
23	910300200002	Nut	4	GB6171-M10x1.25-10
24	910400500007	Washer	4	GB93-10
25	910100300041	Bolt	2	GB5783-M10x50-8.8
26	910400100007	Washer	4	GB97.1-10-200HV
27	910300200002	Nut	4	GB6171-M10x1.25-10
28	255044020130	Fixed seat (cylinder)	2	
29	255044020129	Protective cover	2	
30	201044520017	U Bolt	2	60
31	216544010014	Cylinder (L)	1	Lifting 2500
	216544010015	Cylinder (L)		Lifting 2700
	216544010016	Cylinder (L)		Lifting 3000
	216544010017	Cylinder (L)		Lifting 3300
	216544010018	Cylinder (L)		Lifting 3600
	216544010019	Cylinder (L)		Lifting 4000
	216544010020	Cylinder (L)		Lifting 4500
32	216544010021	Cylinder (R)	1	Lifting 2500
	216544010022	Cylinder (R)		Lifting 2700
	216544010023	Cylinder (R)		Lifting 3000
	216544010024	Cylinder (R)		Lifting 3300
	216544010025	Cylinder (R)		Lifting 3600

	216544010026	Cylinder (R)		Lifting 4000
	216544010027	Cylinder (R)		Lifting 4500
33	216544010000	Mast welding	1	Lifting 2500
	216544010001	Mast welding		Lifting 2700
	216544010002	Mast welding		Lifting 3000
	216544010003	Mast welding		Lifting 3300
	216544010004	Mast welding		Lifting 3600
	216544010005	Mast welding		Lifting 4000
	216544010006	Mast welding		Lifting 4500
34	910400100010	Washer	2	GB97.1-16-200HV
35	910400500010	Washer	2	GB93-16
36	910200200126	Screw	2	GB70.1-M16x65-8.8
37	940200500001	Bearing	2	780708K-100x40x27
38	910401300020	Circlip	2	GB894.1-40
II	252044510005	Lifting chain LH1234-85	2	Lifting 2500
	216544010028	Lifting chain LH1234-91		Lifting 2700
	252044010042	Lifting chain LH1234-99		Lifting 3000
	252044510028	Lifting chain LH1234-107		Lifting 3300
	252044010020	Lifting chain LH1234-115		Lifting 3600
	252044010021	Lifting chain LH1234-125		Lifting 4000
	216544010029	Lifting chain LH1234-139		Lifting 4500
39	910900400010	Chain	1	GB6074-LH1234
40	910600700029	Short axle	2	GB882-B8x40x2
41	910600600030	Split pin	2	GB91-3.2x30
42	252044020121	Bolt	2	M16x141
43	910300200008	Nut	4	GB6171-M16x1.5-10
44	910100100023	Bolt	8	GB5782-M8x45-8.8
45	940200200003	Side roller	4	
46	216544020002	Spacer bushing	8	
47	910200200053	Screw	4	GB70.1-M8x12-8.8
48	940200100005	Main roller	2	88.4x35x28
	940200100013	Main roller	2	88.9x35x28
	940200100014	Main roller	2	89.4x35x28
49	216544020047	Protective cover(Main roller)	2	
50	910401300018	Circlip	6	GB894.1-35
51	940200100006	Main roller	4	92.4x35x28

Fig. 27 Two stage mast(hydraulic pipeline line three)

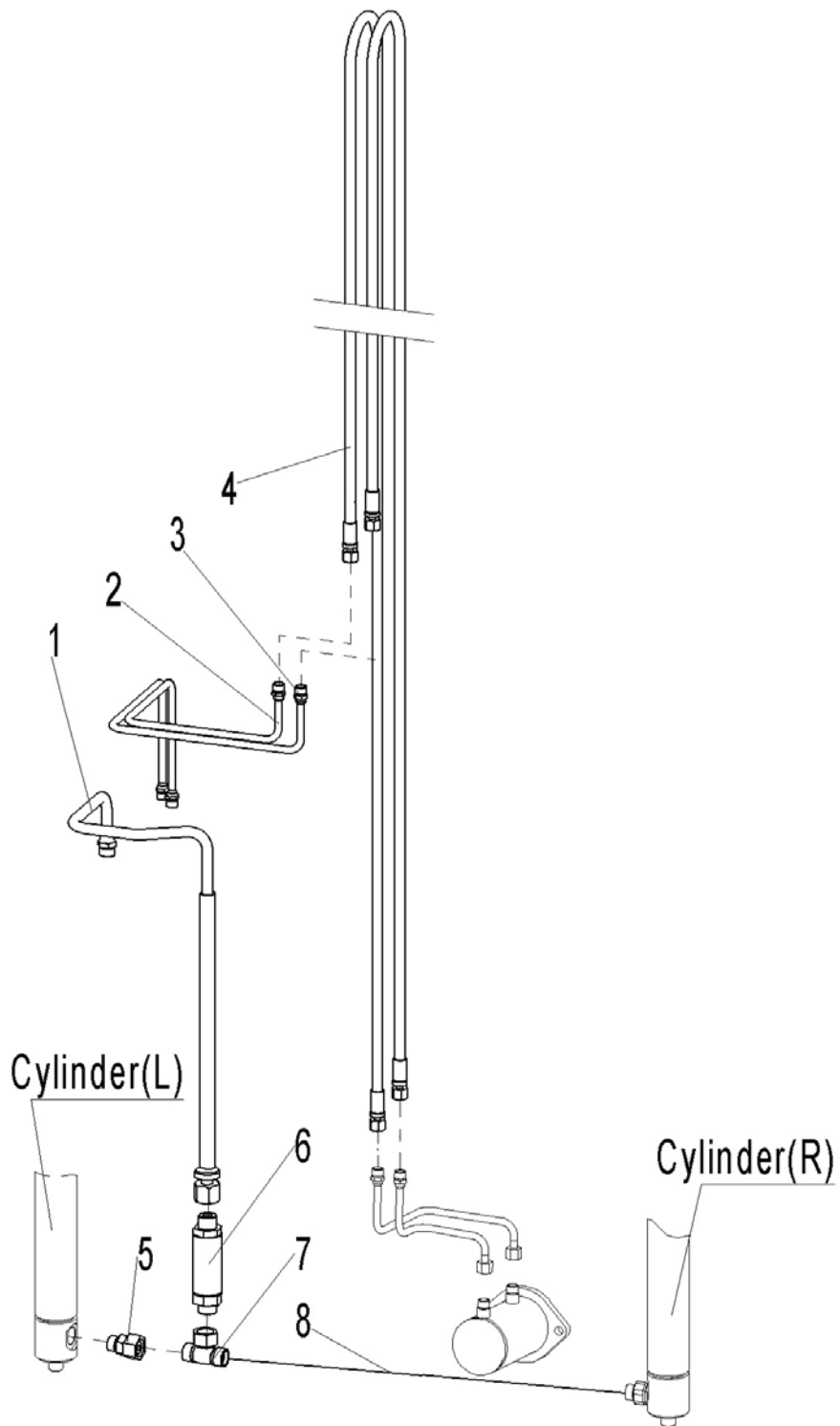


Fig. 27 Two Stage Mast(hydraulic pipeline line three)

No.	Art No.	Description	Qty.	Note
1	216544020068	Hydraulic hose assembly	1	15-L750-2SC-24°
2	216544020054	Hydraulic steel pipe welding 2	1	
3	216544020055	Hydraulic steel pipe welding 3	1	
4	216544020061	Hydraulic hose assembly(straight)10-L 1750-1SC-24°	2	Lifting 2500
	216544020062	Hydraulic hose assembly(straight)10-L 1950-1SC-24°		Lifting 2700
	201043020015	Hydraulic hose assembly(straight)10-L 2250-1SC-24°		Lifting 3000
	216544020063	Hydraulic hose assembly(straight)10-L 2550-1SC-24°		Lifting 3300
	216544020064	Hydraulic hose assembly(straight)10-L 2850-1SC-24°		Lifting 3600
	216544020065	Hydraulic hose assembly(straight)10-L 3250-1SC-24°		Lifting 4000
	216544020066	Hydraulic hose assembly(straight)10-L 3750-1SC-24°		Lifting4500
5	950400100003	Joint	1	18-M22x1.5-M26x1.5-24°
6	950700300004	Speed limit valve	1	XSF-F16L-40
7	950400900003	Joint	1	(steering T)18-3xM26x1.5-24°
8	216544020067	Hydraulic hose assembly(straight)18-L 460-2SC-24°	1	

Fig. 28 Two stage mast(hydraulic pipeline line four)

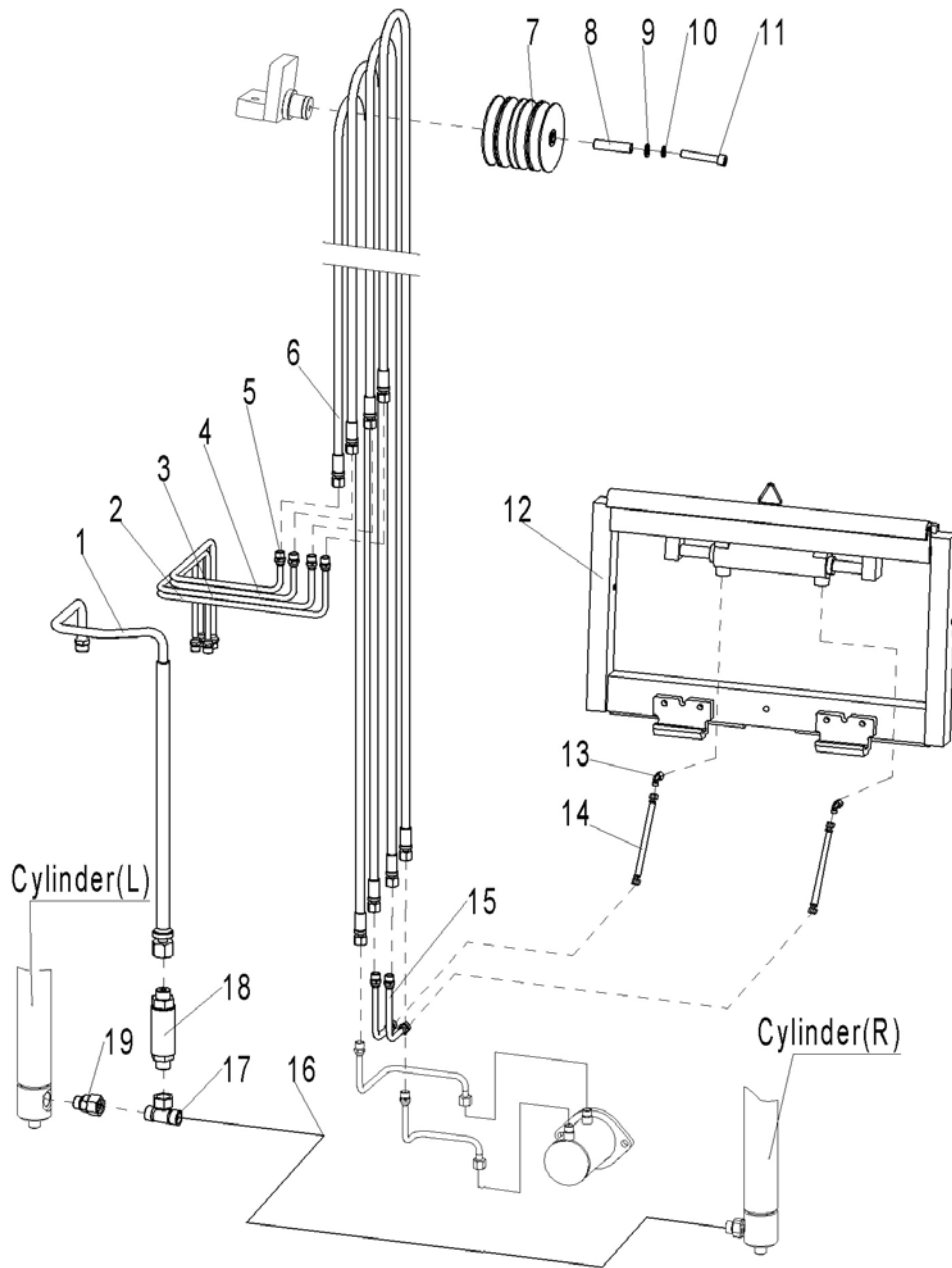


Fig. 28 Two Stage Mast(hydraulic pipeline line four)

No.	Art No.	Description	Qty.	Note
1	216544020068	Hydraulic hose assembly	1	15-L750-2SC-24°
2	216527520001	Hydraulic steel pipe welding 2	1	
3	216527520000	Hydraulic steel pipe welding 1	1	
4	216544020055	Hydraulic steel pipe welding 3	1	
5	216544020054	Hydraulic steel pipe welding 2	1	
6	216544020061	Hydraulic hose	4	Lifting 2500

		assembly(straight)10-L1750-1S C-24°		
	216544020062	Hydraulic hose assembly(straight)10-L1950-1S C-24°		Lifting 2700
	201043020015	Hydraulic hose assembly(straight)10-L2250-1S C-24°		Lifting 3000
	216544020063	Hydraulic hose assembly(straight)10-L2550-1S C-24°		Lifting 3300
	216544020064	Hydraulic hose assembly(straight)10-L2850-1S C-24°		Lifting 3600
	216544020065	Hydraulic hose assembly(straight)10-L3250-1S C-24°		Lifting 4000
	216544020066	Hydraulic hose assembly(straight)10-L3750-1S C-24°		Lifting 4500
7	213030520007	Pulley	1	110x112
8	201030520007	Bushing	1	17x13x114
9	910400100008	Washer	3	GB97.1-12-200HV
10	910400500008	Washer	3	GB93-12
11	910100100061	Bolt	1	GB5782-M12x130-8.8
12	940100200001	Side shifter	1	GC20NL
13	950401100003	Joint	2	10-G1/4-M16x1.5-24°
14	201030520013	Hydraulic hose assembly(90°)10-L250-1SC-24 °	2	
15	201027520000	Hydraulic steel pipe welding 5	2	
16	216544020067	Hydraulic hose assembly(straight)18-L460-2S C-24°	1	
17	950400900003	Joint	1	(steering T)18-3xM26x1.5-24°
18	950700300004	Speed limit valve	1	XSF-F16L-40
19	950400100003	Joint	1	18-M22x1.5-M26x1.5-2 4°

Fig. 29 Electronic control components

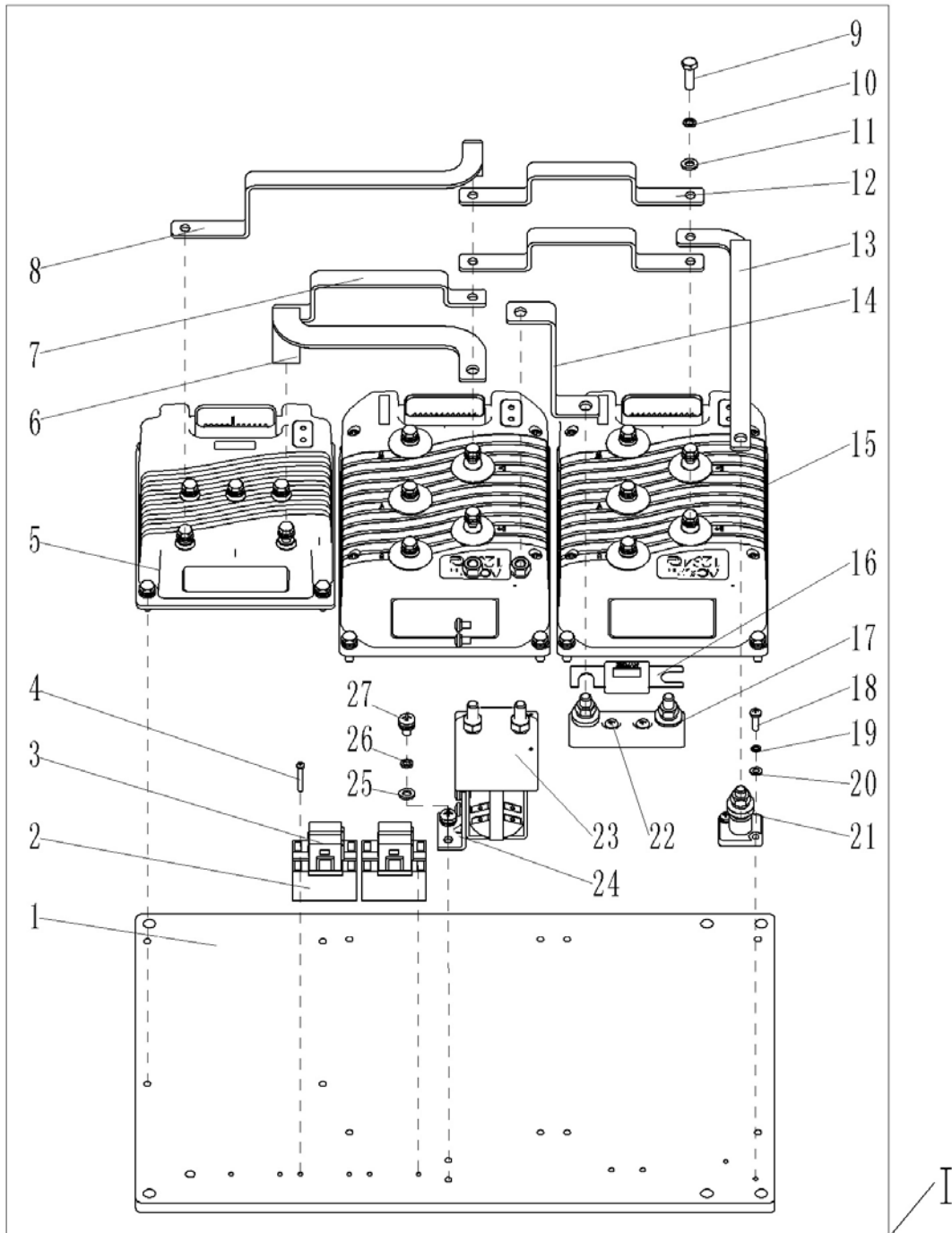


Fig. 29 Electronic Control Components

No.	Art No.	Description	Qty.	Note
1	216533020000	Aluminium plate	1	
2	920100400004	Fuse seat	2	BD-2x10A
3	920100200002	Fuse	1	10A
4	910200500028	Screw	4	GB818-M4x30-4.8
5	921400100004	Controller	1	
6	216533020002	Copper bar	1	
7	216533020006	Copper bar	1	
8	216533020001	Copper bar	1	
9	910200200035	Screw	15	GB70.1-M6x16-8.8
10	910400500005	Washer	15	GB93-6
11	910400100005	Washer	15	GB97.1-6-200HV
12	216533020005	Copper bar	2	
13	216533020004	Copper bar	1	
14	216533020003	Copper bar	1	
15	921400100009	Controller	1	
16	920100100013	Fuse	1	350A
17	920100400002	Fuse seat	1	
18	910200200014	Screw	2	GB70.1-M4x12-8.8
19	910400500003	Washer	2	GB93-4
20	910400100003	Washer	2	GB97.1-4-200HV
21	920100400001	Fuse seat	1	
22	910200500024	Screw	2	GB818-M4x16-4.8
23	920700100008	Contactor	1	
24	216533020007	Main contactor fixed part	1	
25	910200500037	Screw	2	GB818-M5x10-4.8
26	910400500004	Washer	2	GB93-5
27	910400100004	Washer	2	GB97.1-5-200HV
I	218033010015	Electronic control components	1	

Fig. 30 Wiring harness components

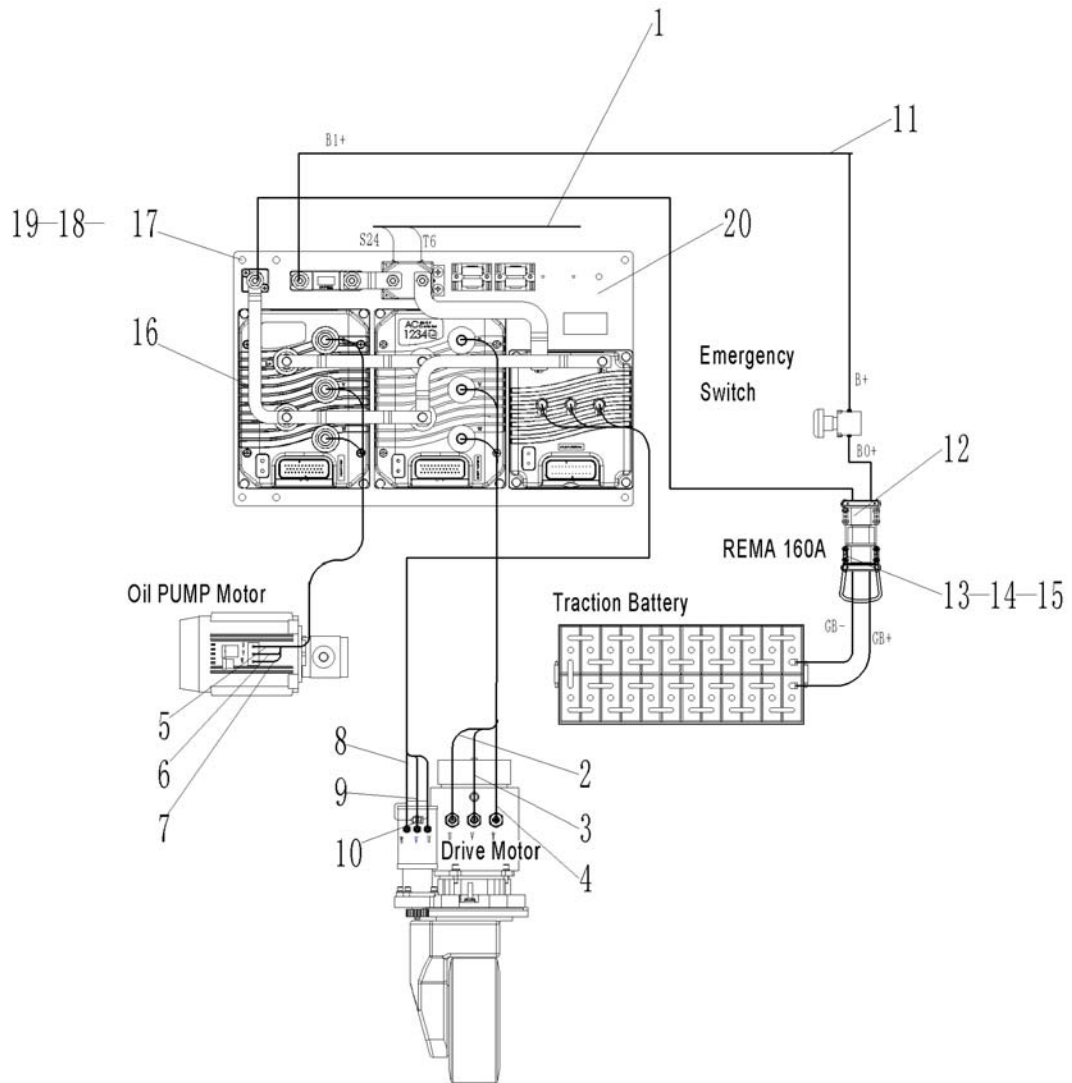


Fig. 30 Wiring Harness Components

No.	Art No.	Description	Qty.	Note
1	216533010015	Main control wiring harness	1	(1234E+1234E+1222)
2	216533010018	Cable	1	UT-35-6-8-500
3	216533010019	Cable	1	VT-35-6-8-550
4	216533010020	Cable	1	WT-35-6-8-600
5	216533010021	Cable	1	UP-35-6-8-570
6	216533010022	Cable	1	VP-35-6-8-500
7	216533010023	Cable	1	WP-35-6-8-480
8	216533010024	Cable	1	US-6-6-6-650
9	216533010025	Cable	1	VS-6-6-6-650
10	216533010026	Cable	1	WS-6-6-6-650
11	216533010027	Cable	1	B+ 50-8-8-630
12	216533010028	Main power supply wiring harness	1	
13	910200200042	Screw	4	GB70.1-M6x45-8.8
14	910400500005	Washer	4	GB93-6
15	910400100005	Washer	4	GB97.1-6-200HV
16	218033010015	Electric control components	1	(1234E+1234E+EPS1222)
17	910200200055	Screw	4	GB70.1-M8x16-8.8
18	910400500006	Washer	4	GB93-8
19	910400100006	Washer	4	GB97.1-8-200HV
20	921300200015	Cable fixed part	30	PHC-5

Fig. 31 Tilt cylinder

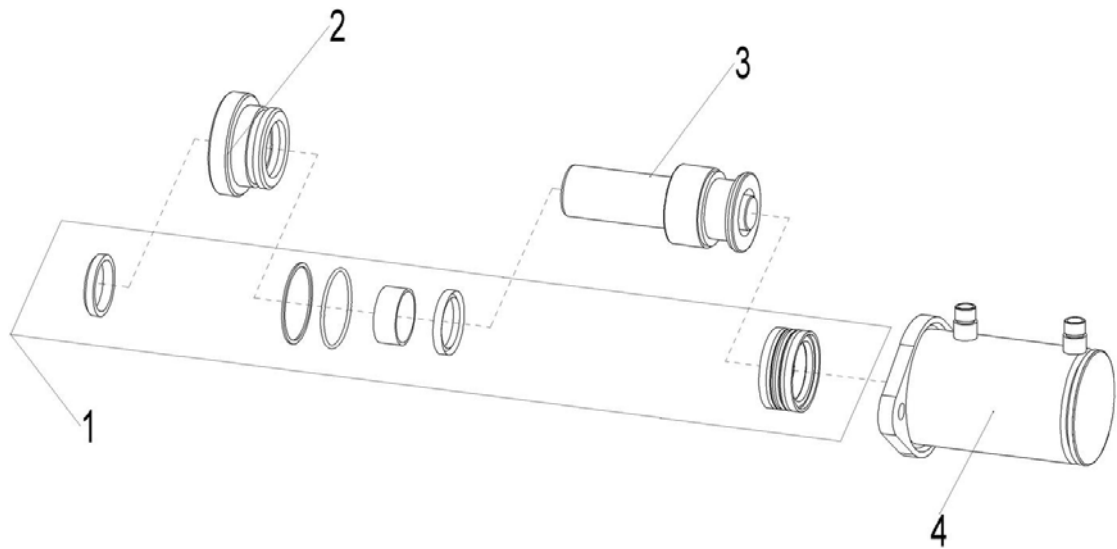


Fig. 31 Tilt Cylinder

No.	Art No.	Description	Qty.	Note
1	201098510005	Tilt cylinder sealing kits assembly	1	
2	216598520005	Guide sleeve	1	
3	216598520006	Piston rod	1	
4	216598520007	Barrel	1	

Fig. 32 Cylinder(M)

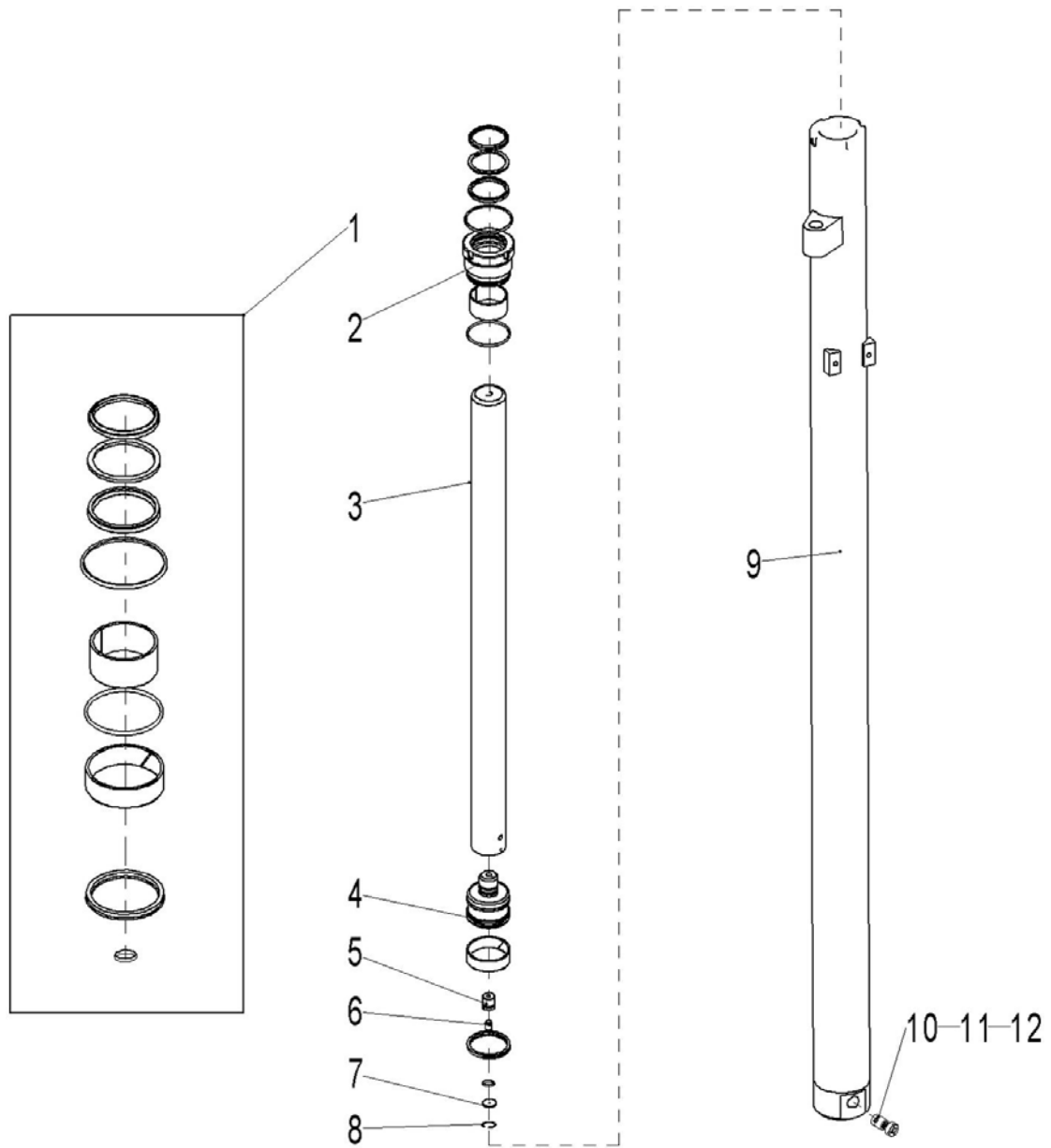


Fig. 32 Cylinder(M)

No.	Art No.	Description	Qty.	Note
1	216598510006	Cylinder (M) sealing kits assembly	1	
2	216598520008	Guide bushing	1	
3	216598520009	Piston rod	1	
4	216598520010	Piston	1	
5	216598520011	Valve bushing	1	
6	216598520012	Valve core	1	
7	216598520013	Separation blade	1	
8	216598520014	Circlip 22	1	
9	216598520015	Cylinder barrel	1	
10	216598520016	1-3t Spring seat	1	
11	216598520017	Slide valve 2-3t	1	
12	216598520018	Spring	1	

Fig. 33 Cylinder(L)

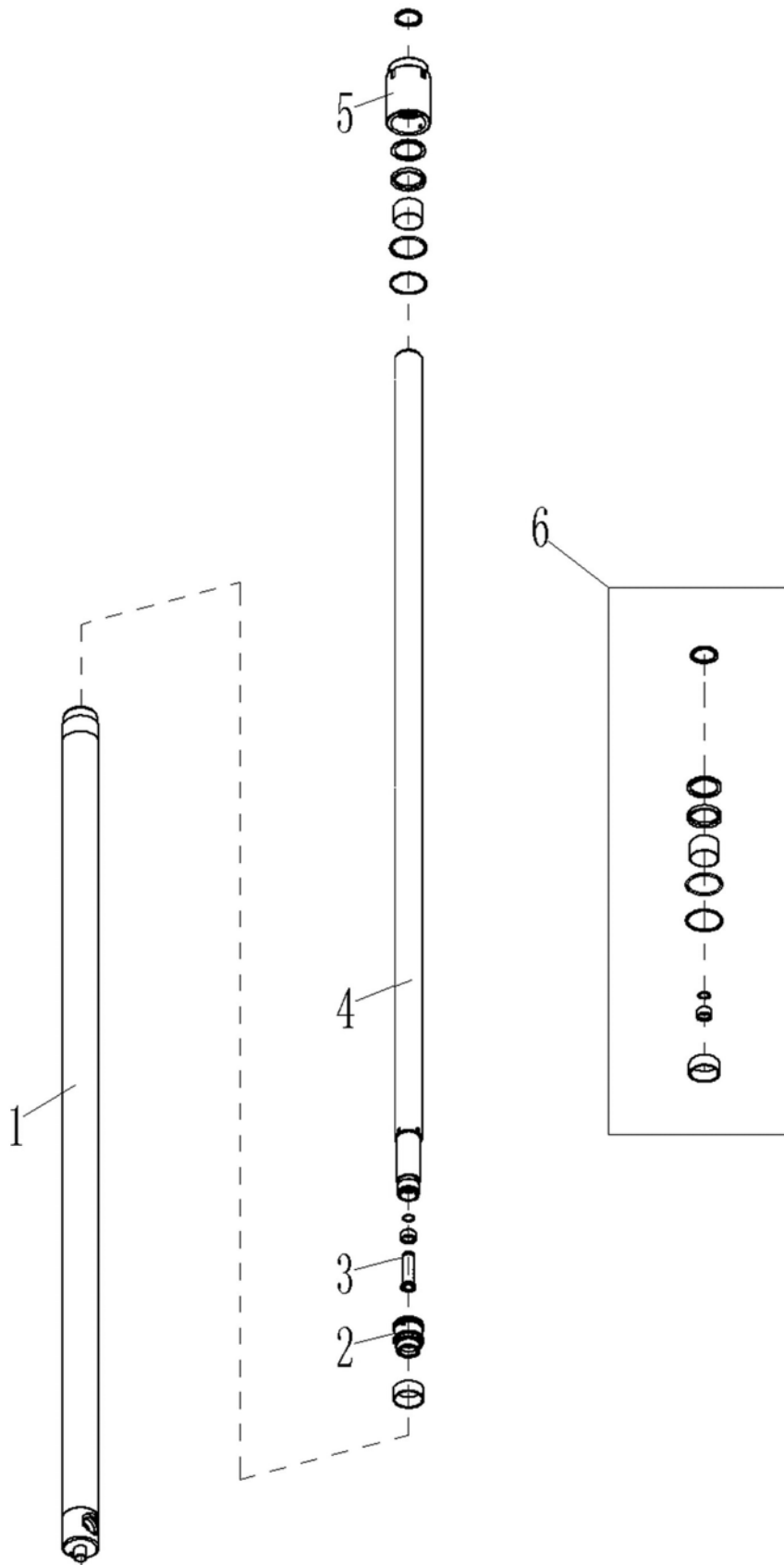


Fig. 33 Cylinder(L)

No.	Art No.	Description	Qty.	Note
1	212098520019	Cylinder barrel	1	
2	212098520020	Piston	1	
3	212098520021	Damping plunger	1	
4	212098520022	Piston rod	1	
5	212098520023	Guide bushing	1	
6	212098510007	Cylinder(L) sealing kits assembly	1	

Fig. 34 Cylinder(R)

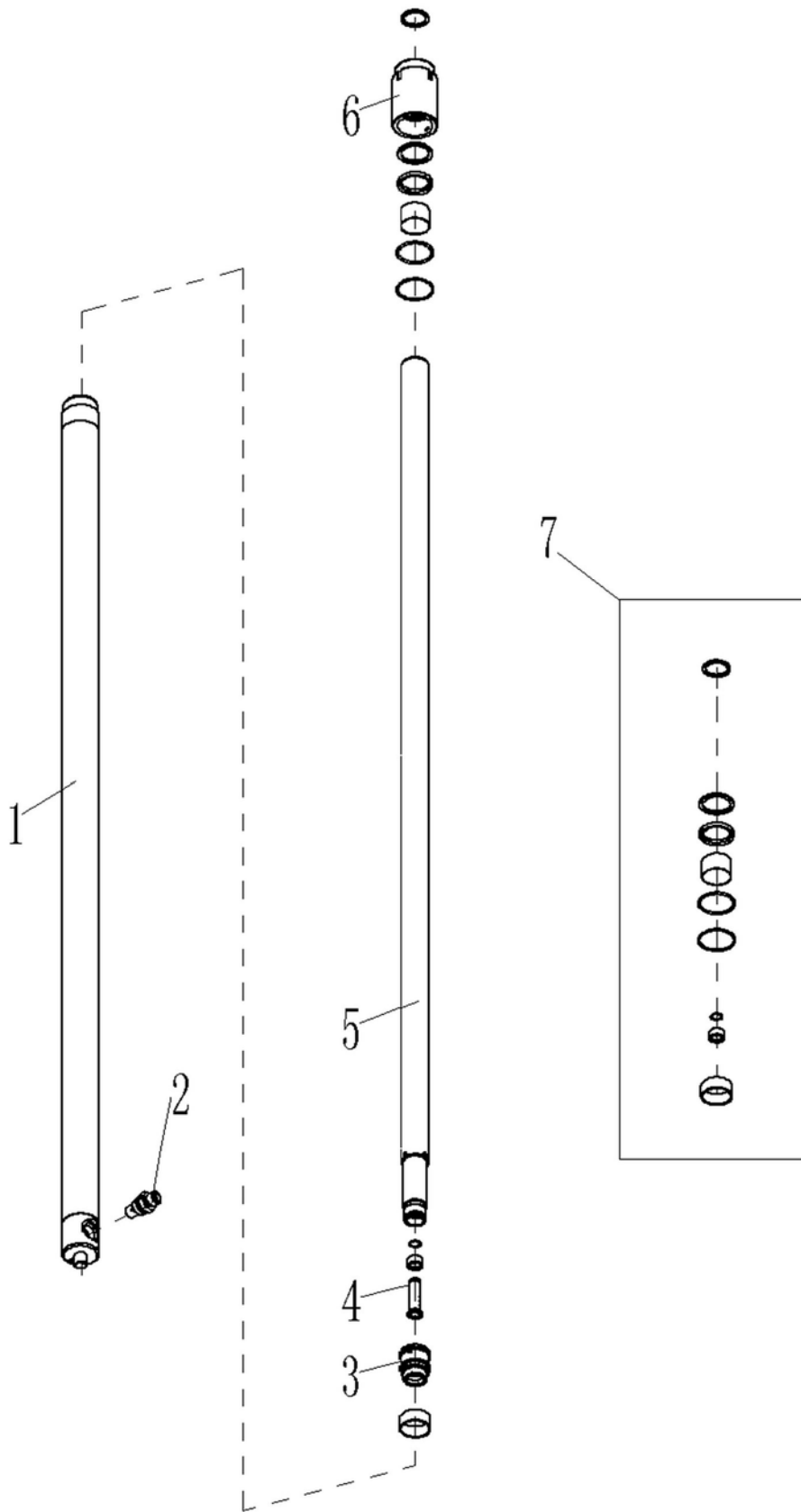


Fig. 34 Cylinder(R)

No.	Art No.	Description	Qty.	Note
1	216598520024	Cylinder barrel	1	
2	216544520025	Anti-explosion valve	1	
3	216598520020	Piston	1	
4	216598520021	Damping plunger	1	
5	216598520022	Piston rod	1	
6	216598520023	Guide bushing	1	
7	216598510007	Cylinder(R)sealing kits assembly	1	

Easy worn parts

No.	Art No.	Item	Qty.	Fig./Position	Note
1	216517001000	Load roller assembly	2	Fig. 8/ I	Load roller
2	940300300021	Wheel	1	Fig. 8/1	
3	910700200025	Bearing	2	Fig. 8/2	
4	910700200021	Bearing	2	Fig. 9/9	Universal wheel
5	940300300022	Wheel	2	Fig. 9/10	
6	910700200020	Bearing	2	Fig. 9/11	
7	940500400007	Self lubricating bearing	1	Fig. 9/17	
8	910700700008	Bearing	1	Fig. 9/20	
9	940500400005	Self lubricating bearing	2	Fig. 10/6	Drive axle
10	940500400006	Self lubricating bearing	2	Fig. 10/13	
11	940500400004	Self lubricating bearing	2	Fig. 10/16	
12	910700600024	Bearing	1	Fig. 10/27	
13	910700600039	Bearing	1	Fig. 10/29	
14	910700200007	Bearing	2	Fig. 10/41	
15	910700200019	Bearing	1	Fig. 18/18	Electric steering unit
16	940500400002	Self lubricating bearing	4	Fig. 19/2	Three stage mast (fork carriage components)
17	940200100005	Main roller	4	Fig. 19/31	
18	940200100013	Main roller	4	Fig. 19/31	
19	940200100014	Main roller	4	Fig. 19/31	
20	940200200003	Side roller	4	Fig. 19/29	
21	940200100006	Main roller	4	Fig. 20/1	Three stage mast (outer mast)
22	940200200003	Side roller	6	Fig. 20/5	
23	940200100005	Main roller	4	Fig. 20/9	
24	940200100013	Main roller	4		
25	940200100014	Main roller	4	Fig. 21/1	
26	940200100005	Main roller	4		Three stage

27	940200100013	Main roller	4	Fig. 21/1	mast (middle mast)
28	940200100014	Main roller	4	Fig. 21/1	
29	940200200003	Side roller	4	Fig. 21/6	
30	940200500007	Bearing	2	Fig. 21/14	
31	940200100005	Main roller	2	Fig. 21/1	Three stage mast (inner mast)
32	940200100013	Main roller	2	Fig. 21/1	
33	940200100014	Main roller	2	Fig. 21/1	
34	940200200003	Side roller	2	Fig. 21/6	
35	940200500008	Bearing	1	Fig. 21/16	
36	940500400002	Self lubricating bearing	4	Fig. 25/2	Two stage mast (fork carriage components)
37	940200300012	Compound roller	4	Fig. 25/16	
38	940200300012	Compound roller	2	Fig. 26/21	Two stage mast (mast components)
39	940200500001	Bearing	2	Fig. 26/37	
40	940200200003	Side roller	6	Fig. 26/45	
41	940200100005	Main roller	4	Fig. 26/48	
42	940200100013	Main roller	4		
43	940200100014	Main roller	4		
44	940200100006	Main roller	4	Fig. 26/51	
45	920100200002	Fuse 10A	1	Fig. 29/3	Electronic control components
46	920100100013	Fuse 350A	1	Fig. 29/16	
47	201098510005	Tilt cylinder sealing kits assembly	1	Fig. 31/1	Tilt cylinder
48	216598510006	Cylinder(M)sealing kits assembly	1	Fig. 32/1	Cylinder (M)
49	212098510007	Cylinder (L) sealing kits assembly	1	Fig. 33/6	Cylinder (L)
50	216598510007	Cylinder(R)sealing kits assembly	1	Fig. 34/7	Cylinder (R)