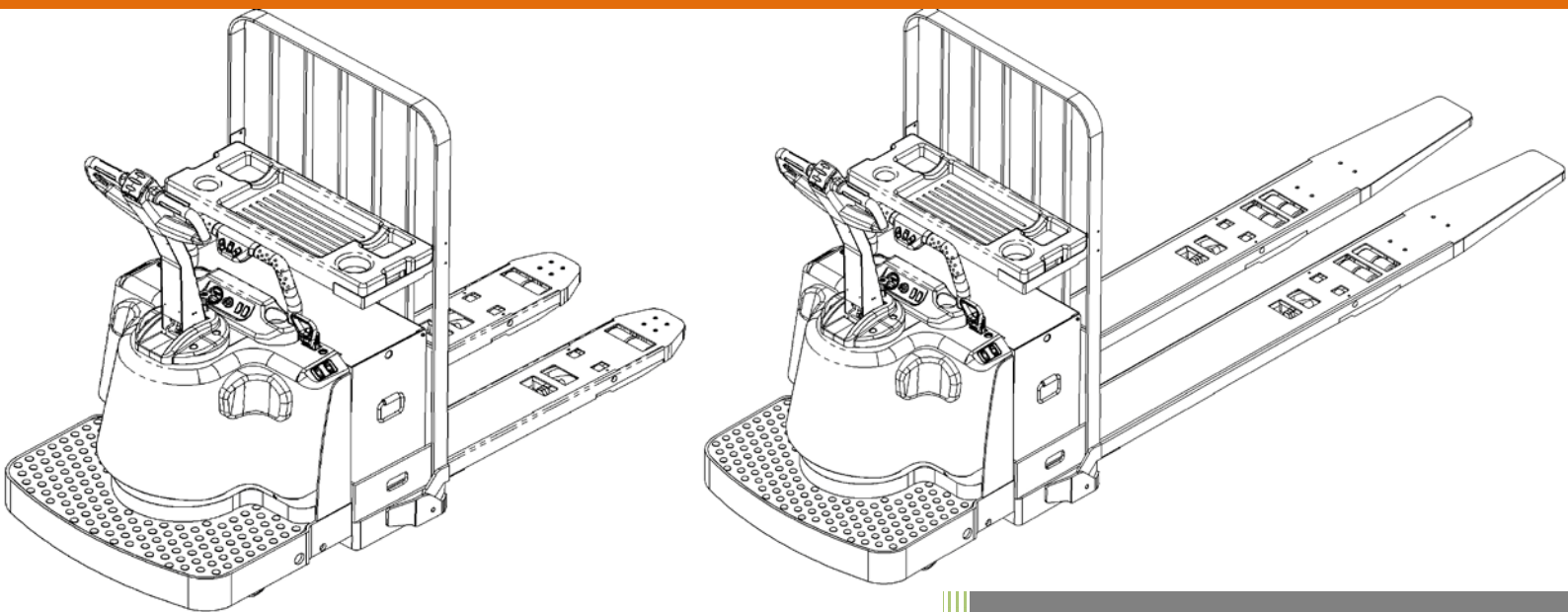


# SPAREPARTS LIST

## Electric Pallet Truck PT 27R / PT 36R



Version 09/2019

From truck identification number:

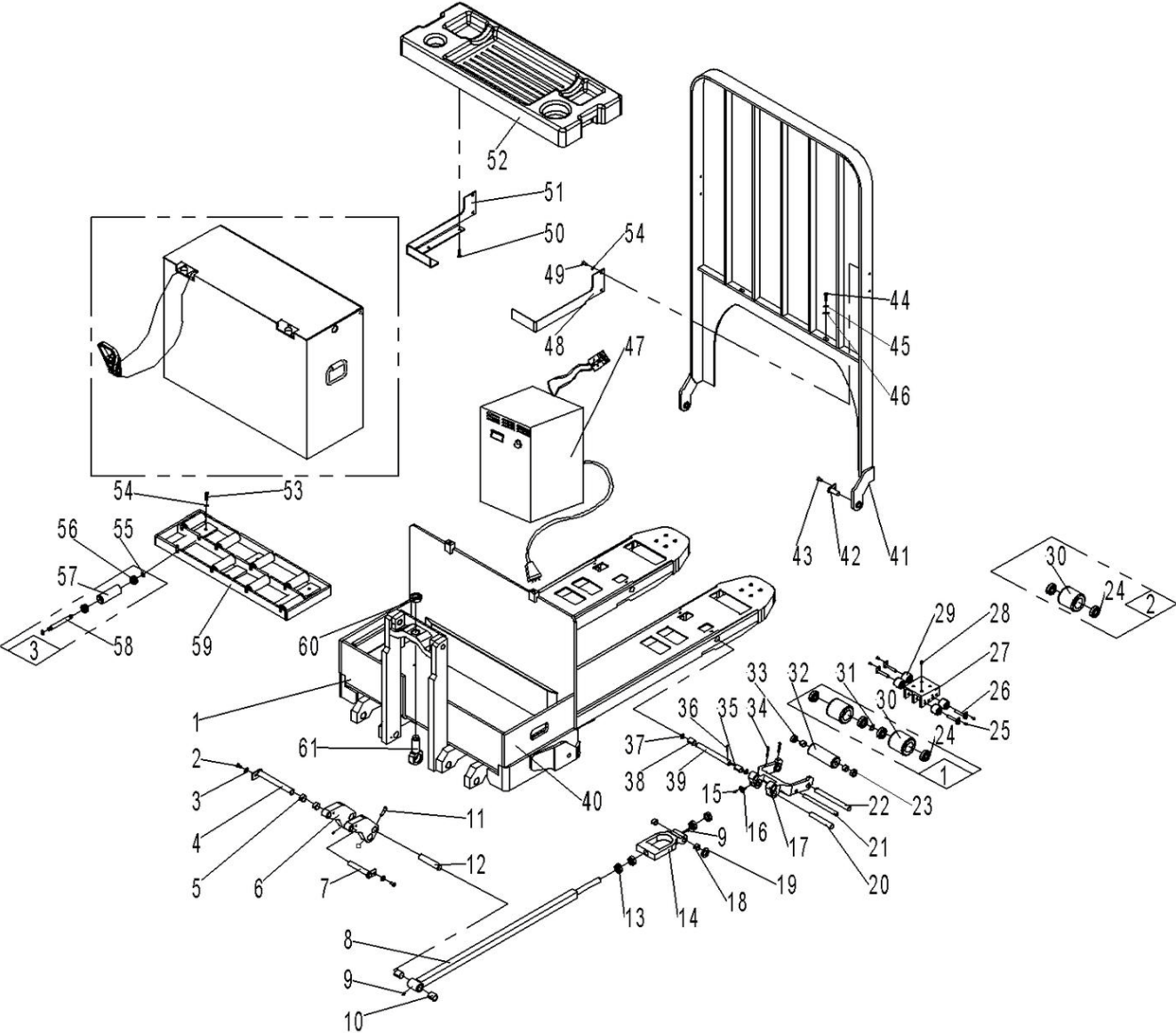
20191000001

PT 27R / PT 36R-BPT-007-EN

# Catalogue

FIG.1 PT 27R FORK FRAME .....	2
FIG.2 PT 36R FORK FRAME .....	6
FIG.3 BATTERY .....	9
FIG.4 ELECTRICAL BOX COMPONENTS .....	10
FIG.5 DRIVE WHEEL .....	12
FIG.6 PT 27R HYDRAULIC SYSTEM.....	14
FIG.7 PT 36R HYDRAULIC SYSTEM.....	16
FIG.8 PUMP SYSTEM .....	18
FIG.9 ELECTRICAL COMPONENTS.....	20
FIG.10 STEERING WHEEL.....	22
FIG.11 TILLER ARM.....	24
FIG.12 PT 27R CONTROLLER .....	26
FIG.13 PT 36R CONTROLLER .....	28
FIG.14 PT 27R MAIN HARNESS.....	30
FIG.15 PT 36R MAIN HARNESS.....	31
FIG.16 PT 27R LABEL.....	32
FIG.17 PT 36R LABEL.....	32
EASY WORN PARTS LIST .....	34

Fig.1 PT 27R Fork frame



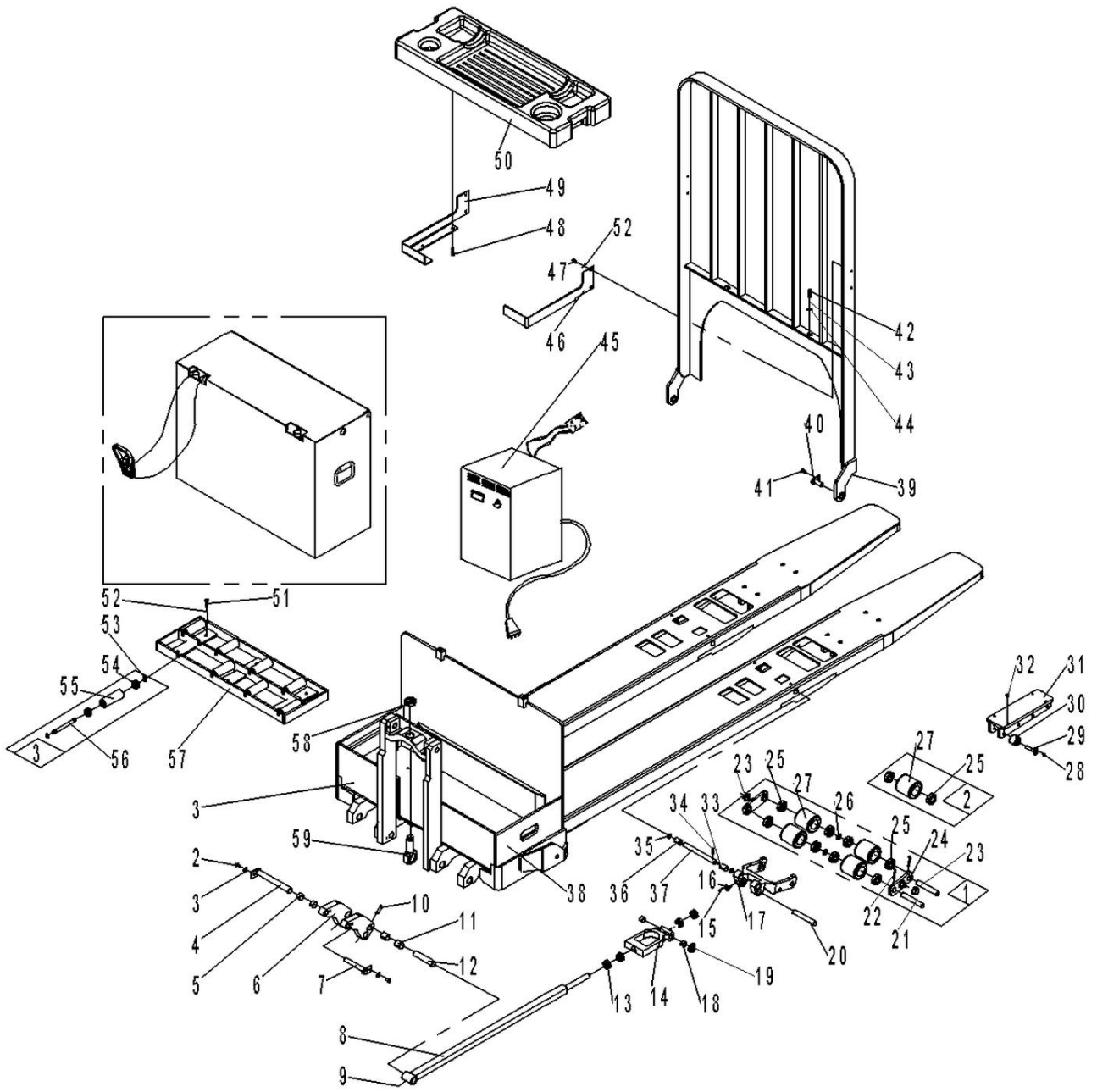
**Fig.1 PT 27R Fork Frame**

No.	Art No.	New Code	Description	Qty.	Note
1	9000010057	506238510000	Fork frame	1	48 inch
	9000010216	506238510009			36 inch
	9000010218	506238510011			42 inch
	9000010220	506238510013			54 inch
	9000010222	506238510015			60 inch
	9000010224	506238510017			96 inch
2	0000023632	910100300020	Bolt	4	M8x16
3	0090000034	910401000001	Washer	4	8
4	9000010058	506238510008	Linking shaft	2	
5	9000010055	940500100031	Bushing	4	(25X28X30)
6	9000010059	506238520034	Large steel plate	4	
7	9000010060	506238510002	Linking shaft	2	
8	9000010061	506238510001	Pull rod	2	
	9000010217	506238510010			
	9000010219	506238510012			
	9000010221	506238510014			
	9000010223	506238510016			
	9000010225	506238510018			
9	0000030002	911200100002	Oil cup	6	M6
10	9000009834	940500100026	Bushing	4	(25X28X15)
11	0000028023	910600400022	Roll pin	2	5x20
12	9000010062	506238520048	Shaft for pull rod	2	
13	0090000033	910300400011	Nut	8	M24x2
14	9000010063	506238520031	Adjusting block	2	
15	0000023126	910200300012	Screw	2	M5x12
16	9000010064	506238510004	Fixed block	2	
17	9000010065	506238520024	Frame for load roller	2	
18	9000008262	940500100018	Bushing	4	20X23X15
19	9000018490	506238520079	Exit roller	2	
20	9000010066	506238520026	Linking shaft	2	
21	9000010067	506238520028	Shaft	2	
22	9000010068	506217020000	Shaft for wheel	2	
23	9000010069	506238520029	Washer	4	
1	9000010070	506217001000	Load roller		

24	0000027001	910700200019	Bearing	8	6204
25	0090000041	910200300011	Screw	8	M5X10
26	9000010071	506238510007	Shaft	8	
27	9000010072	506238510006	Roller block	2	
28	0000023091	910200400016	Screw	8	M6x12
29	9000010073	506238520041	Enter roller	8	
2	9000010074	506298510008	Small wheel	4	
30	9000008792	940300300008	Load roller	4	82X82
31	1000525001	940600500014	Washer	2	
32	9000010075	506238520027	Exit roller	2	
33	9000008261	940500100004	Bushing	4	(15X17X15)
34	0000028057	910600400029	Roll pin	4	5x45
35	0000030001	911200100001	Oil cup	4	6
36	0000028002	910600400025	Roll pin	2	5x30
37	9000010076	506238520030	Washer 2	4	
38	9000010034	940500100020	Bushing	4	(20X23X20)
39	9000010077	506238520025	Shaft for load roller	2	
40	9000010078	506238510003	Battery flap	2	
41	9000010079	506240510000	Load backrest	1	60 inch
	9000010228	506240510002			48 inch
	9000010229	506240510003			72 inch
42	9000010080	506240510001	Fixed axle	2	
43	0000023053	910200200033	Screw	2	M6x12
44	0000023034	910200200075	Screw	2	M10x20
45	0000023006	910400500007	Washer	2	10
46	0090000590	910400100007	Washer	2	10
47	9000010235	921000200042	Charger (US)	1	24V/55A
		921000200169	Charger (US)	1	24V/45A
48	9000010081	506240520008	Right side plate	1	
49	0000023067	910200200055	Screw	4	M8x16
50	0000023415	910200300024	Screw	4	M8x10
51	9000010082	506240520006	Left side plate	1	
52	9000010083	506240520007	Storage cover	1	

53	0000023047	910200200076	Screw	4	M8x25
54	0000025001	910400500006	Washer	4	8
55	0000026004	910401300006	Retainer ring for axle	16	15
56	0000027060	910700200017	Bearing	16	6202
57	2410411001	505938520021	Barrel	8	
3	2410400001	505938510003	Roller	8	
58	2410407001	505938520020	Shaft	8	
59	9000010084	506212510001	Welded battery rack	1	
60	0090000036	910300400013	Nut	1	M30x2
61	9000010085	506238520053	Bolt	1	

Fig.2 PT 36R Fork frame



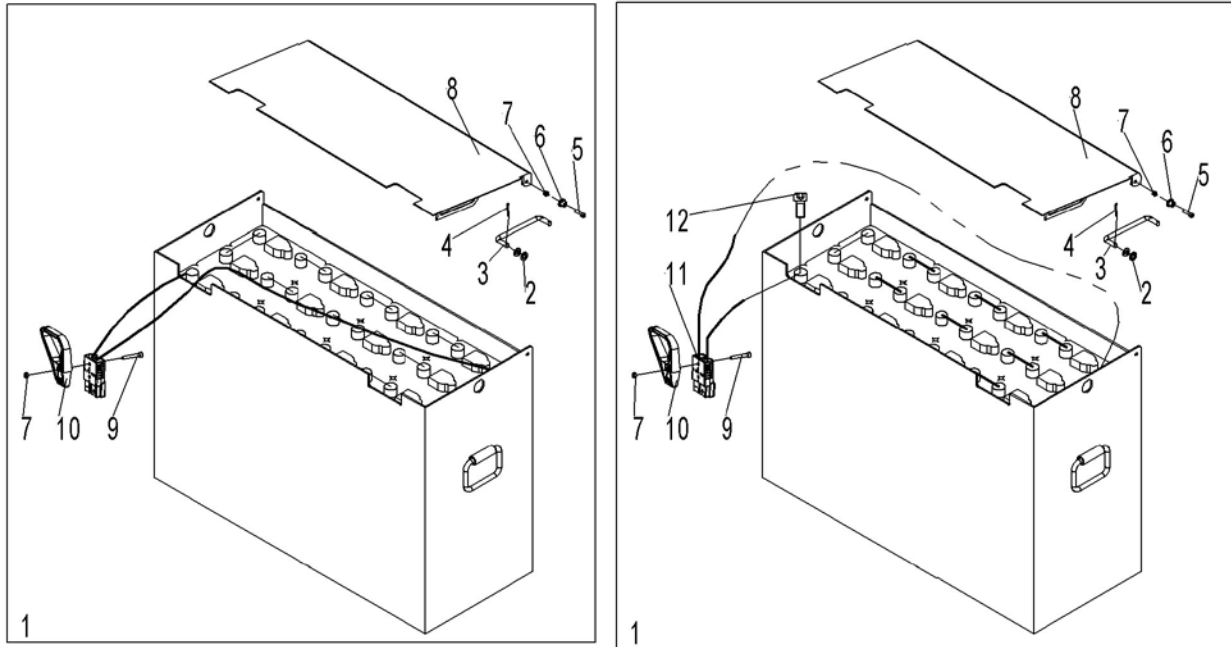
**Fig.2 PT 36R Fork Frame**

No.	Art No.	New Code	Description	Qty.	Note
1	9000010086	506338510000	Fork frame	1	96 inch
	9000010226	506338510002			84 inch
	9000010227	506338510003			93 inch
2	0000023632	910100300020	Bolt	4	M8x16
3	0090000034	910401000001	Washer	4	8
4	9000010058	506238510008	Linking shaft	2	
5	9000010055	940500100031	Bushing	4	(25X28X30)
6	9000010059	506238520034	Large steel plate	4	
7	9000010060	506238510002	Linking shaft	2	
8	9000013059	506338510001	Pull rod	2	
9	0000030002	911200100002	Oil cup	6	M6
10	9000009834	940500100026	Bushing	4	(25X28X15)
11	0000028023	910600400022	Roll pin	2	5x20
12	9000010062	506238520048	Shaft for pull rod	2	
13	0090000033	910300400011	Nut	8	M24x2
14	9000010063	506238520031	Adjusting block	2	
15	0000023126	910200300012	Screw	2	M5x12
16	9000010064	506238510004	Fixed block	2	
17	9000010151	506238520024	Frame for load roller	2	
18	9000008262	940500100018	Bushing	4	20X23X15
19	9000018490	506238520079	Exit roller	2	
20	9000010066	506238520026	Linking shaft	2	
1	9000010087	506317001000	Load roller	8	
21	9000010088	506317020000	Shaft for wheel	4	
22	00900000769	910600500005	Roll pin	4	5x40
23	9000007799	940500200008	Bushing	4	20X23X16.5
24	9000008513	565917020000	Linking plate	4	
25	0000027001	910700200019	Bearing	16	6204
26	1000525001	940600500014	Washer	4	
27	9000008790	940300300007	Load roller	8	82X70
2	9000010074	506398510001	Small wheel	8	
28	0090000041	910200300011	Screw	8	M5X10
29	9000010071	506238510007	Enter roller shaft	8	



30	9000010073	506238520041	Enter roller	8	
31	9000010089	506338510003	Enter roller block	2	
32	0000023091	910200400016	Screw	8	M6x12
33	0000030001	911200100001	Oil cup	4	6
34	0000028002	910600400025	Roll pin	2	5x30
35	9000010076	506238520030	Washer 2	4	
36	9000010034	940500100020	Bushing	4	(20X23X20)
37	9000013058	506338520012	Shaft for load roller	2	
38	9000010078	506238510003	Battery flap	2	
39	9000010079	506240510000	Load backrest	1	60 inch
	9000010228	506240510002			48 inch
	9000010229	506240510003			72 inch
40	9000010080	506240510001	Fixed axle	2	
41	0000023053	910200200033	Screw	2	M6x12
42	0000023034	910200200075	Screw	2	M10x20
43	0000023006	910400500007	Washer	2	10
44	0090000590	910400100007	Washer	2	10
45	9000010235	921000200042	Charger (US)	1	24V/55A
		921000200169	Charger (US)	1	24V/45A
46	9000010081	506240520008	Right side plate	1	
47	0000023067	910200200055	Screw	4	M8x16
48	0000023415	910200300024	Screw	4	M8x10
49	9000010082	506240520006	Left side plate	1	
50	9000010083	506240520007	Storage cover	1	
51	0000023047	910200200076	Screw	4	M8x25
52	0000025001	910400500006	Washer	4	8
53	0000026004	910401300006	Retainer ring for axle	16	15
54	0000027060	910700200017	Bearing	16	6202
55	2410411001	505938520021	Barrel	8	
3	2410400001	505938510003	Roller	8	
56	2410407001	505938520020	Shaft	8	
57	9000010084	506212510001	Welded battery rack	1	
58	0090000036	910300400013	Nut	1	M30x2
59	9000010085	506238520053	Bolt	1	

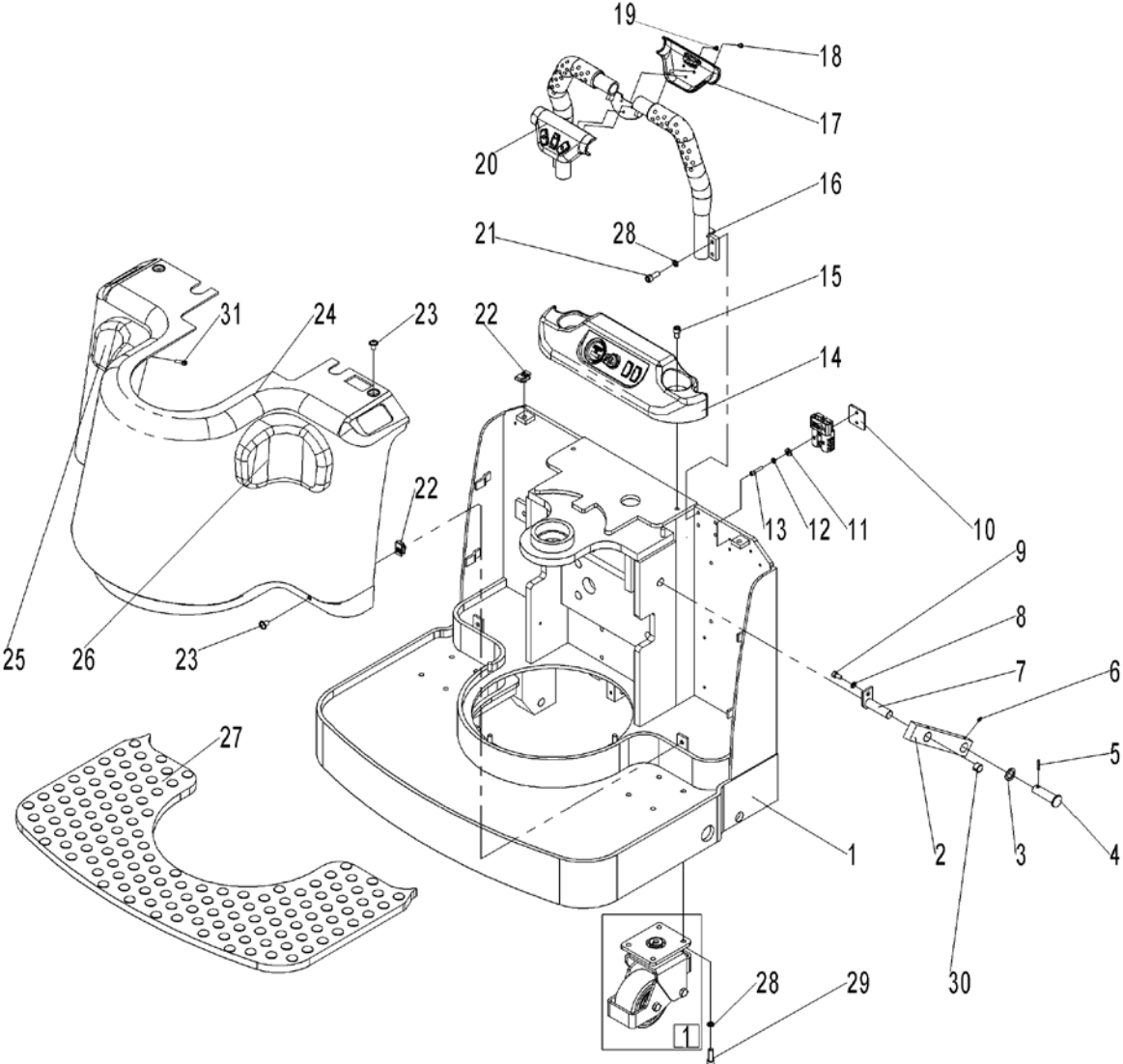
**Fig.3 Battery**



**Fig.3 Battery**

No.	Art No.	New Code	Description	Qty.	Note
1	9000010090	506237010001	Power supply	1	
	9000010091	506237010000	Power supply	1	Bolt type
2	0000025002	910400100007	Washer	4	10
3	9000010092	506298520005	Supporting rod	1	
4	0000028050	910600600029	Split pin	4	3.2x28
5	0000023030	910200200038	Screw	2	M6x25
6	9000010093	506298520006	Shaft sleeve	2	
7	0000024045	910300500003	Nut	2	M6
8	9000010094	506298510009	Battery box cover	1	
9	0000023090	910200200040	Screw	2	M6x35
10	9000009786	920400100008	Handle	1	78298-00
11	9000010095	920400100009	Connector assembly	1	
12	9000009832	505698520000	Screw	24	

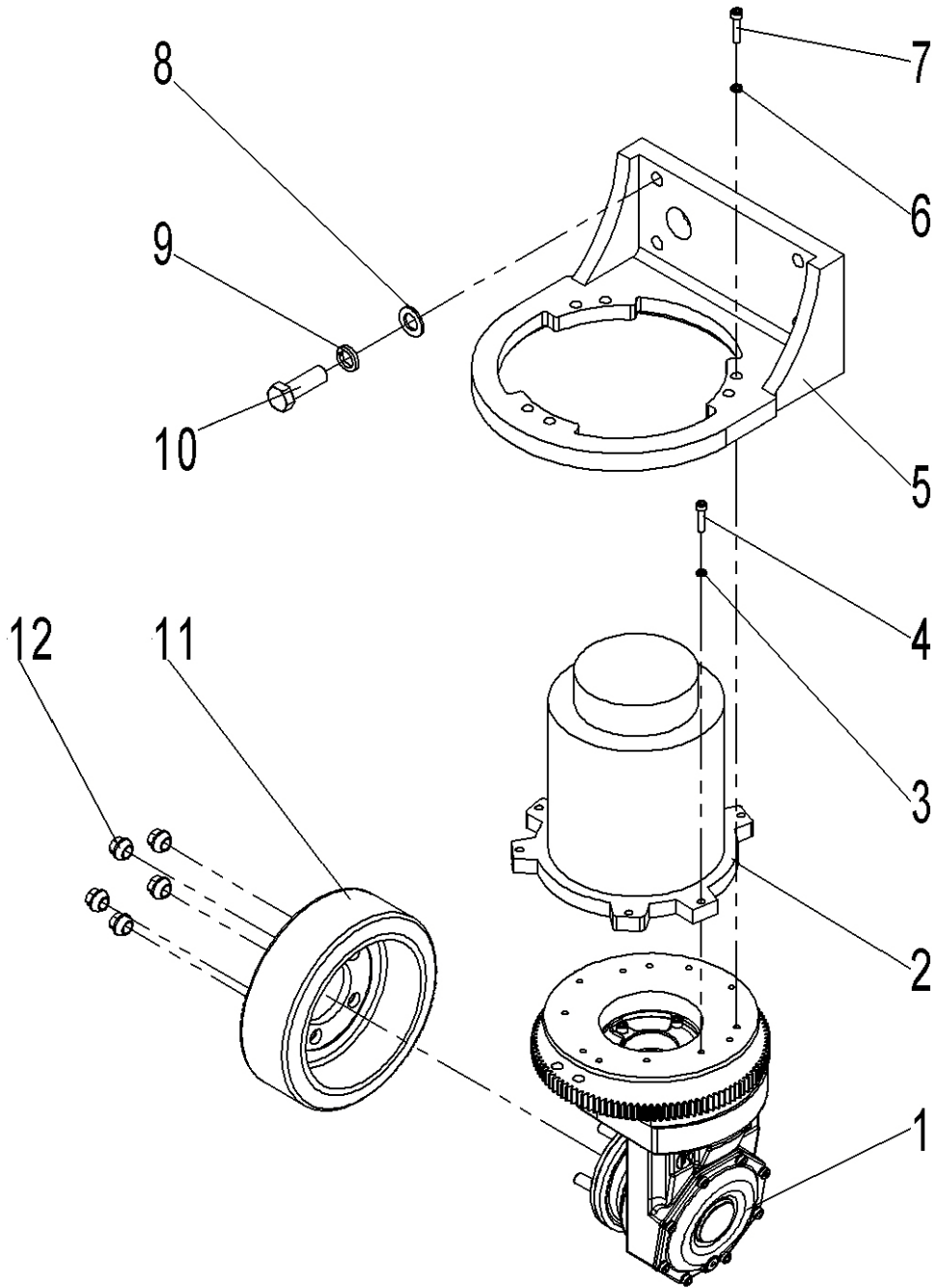
Fig.4 Electrical box components



**Fig.4 Electrical Box Components**

No.	Art No.	New Code	Description	Qty.	Note
1	9000010096	506221510000	Chassis	1	
2	9000010097	506238520052	Linking plate	2	
3	9000010251	506238520030	Washer 3	2	
4	9000010098	506238520051	Linking shaft	2	
5	0000028002	910600400025	Roll pin	2	5x30
6	0000030002	911200100002	Oil cup	4	M6
7	9000010099	506221510003	Fixed axle	2	
8	0000025001	910400500006	Washer	2	8
9	0000023067	910200200055	Screw	2	M8x16
10	9000010100	506221520037	Adjusting plate	1	
11	0000023055	910400100005	Washer	2	6
12	0000025010	910400500005	Washer	2	6
13	0000023106	910200200039	Screw	2	M6x30
14	9000010101	506221520032	Instrument board cover	1	
15	0000023080	910200200071	Screw	2	M10x16
16	9000010102	506221510001	Armrest components	1	
17	9000010103	506221520040	Armrest switch lower cover	1	
18	0000023153	910200500043	Screw	2	M5x30
19	0000023574	910200500040	Screw	1	M5x16
20	9000010104	506221520031	Armrest switch upper cover	1	
21	0000023088	910200200076	Screw	4	M10x25
22	9000007783	940400400003	Nut	4	M10
23	1000423003	941100100004	Screw	4	M10X30
24	9000010105	506221520038	Electrical box cover	1	
25	9000010106	506221520043	Left knee pad	1	
26	9000010107	506221520044	Right knee pad	1	
27	9000010108	506221520039	Foot pedal pad	1	
1	9000010109	506216510000	Steering wheel	2	
28	0000023006	910400500007	Washer	12	10
29	0000023158	941100100004	Screw	8	M10x30
30	9000010034	940500100020	Bushing	4	20X23X20
31	0000023040	910200200035	Screw	8	M6x16

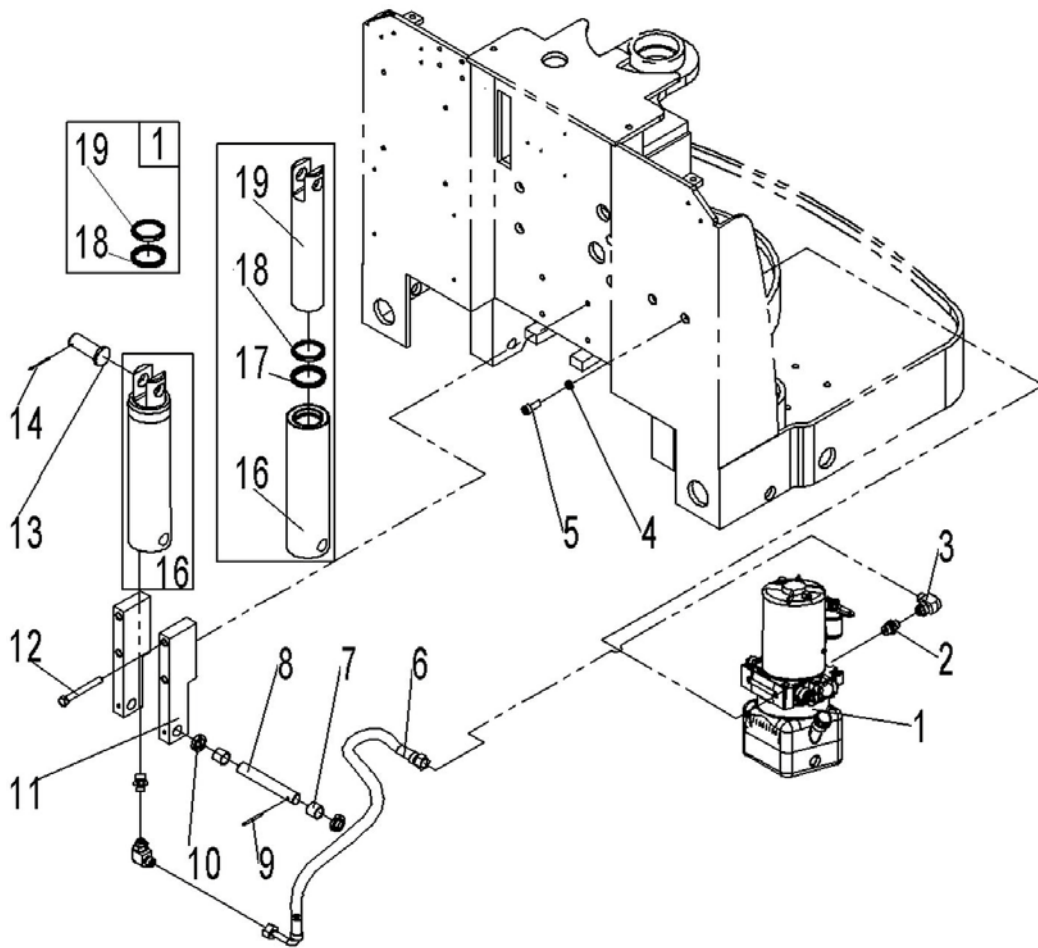
Fig.5 Drive wheel



**Fig.5 Drive Wheel**

No.	Art No.	New Code	Description	Qty.	Note
1	9000010056	941000100001	Gear box	1	GK20
2	9000010119	920900100014	Drive motor	1	
3	0000025001	910400500006	Washer	3	8
4	0000023455	910200200060	Screw	3	M8x35
5	9000010110	506213520000	Drive wheel assembling block	1	
6	0000025024	910400500008	Washer	6	12
7	0000023874	910100300053	Bolt	6	M12x45
8	0000025031	910400100012	Washer	4	20
9	0000025033	910400500012	Washer	4	20
10	0000023228	910100300083	Bolt	4	M20x60
11	9000007764	940300400003	Drive wheel	1	
12	3014702006	275015520005	Nut	5	

Fig.6 PT 27R Hydraulic system

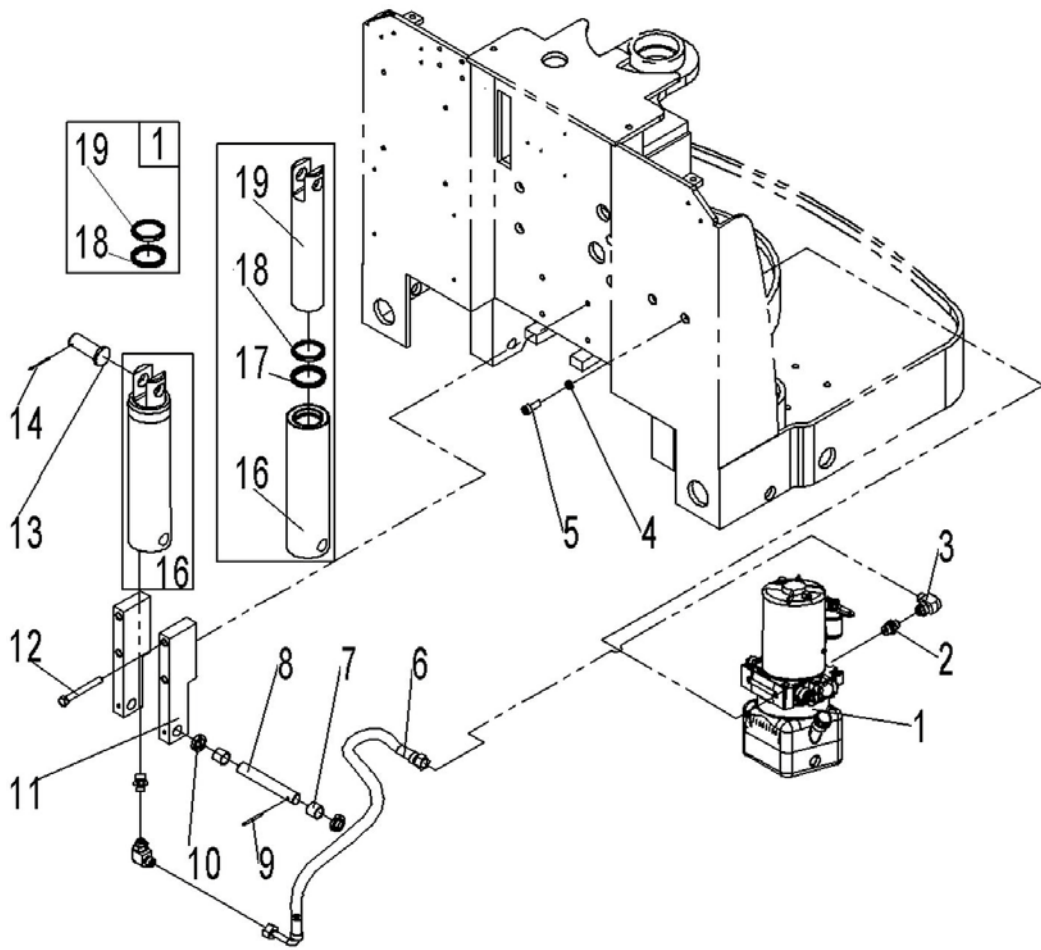


**Fig. 6 PT 27R Hydraulic System**

No.	Art No.	New Code	Description	Qty.	Note
1		950900100024	DC power unit	1	
2	9000007832	950400300007	G Straight joint	2	
3	9000007838	950400200003	Steering joint	2	
4	0000023006	910400500007	Washer	2	10
5	0000023088	910200200076	Screw	2	M10x25
6	9000007825	506224020003	Hydraulic hose assembly	1	
7	1000413001	940500100018	Bushing	2	20X23X15
8	9000010111	506224020001	Cylinder shaft	1	
9	0000028057	910600400029	Roll pin	1	5x45
10	9000010112	506224020000	Bushing	2	
11	9000010113	506224020002	Cylinder block	2	
12	0000023904	910100100040	Bolt	4	M10x90
13	9000010114	506238520050	Cylinder pin roll	1	
14	0090000035	910600600032	Split pin	1	3.2x40
15	9000010115	506224010000	Cylinder components	1	
16	9000010182	506298510010	Cylinder body	1	
17	9000010181	506298520007	Y ring for axle	1	56*66*10/11
18	9000010180	506298520008	Dust ring	1	
19	9000010179	506298520009	Piston rod	1	
1	9000010122	506298510011	Cylinder seal components	1	



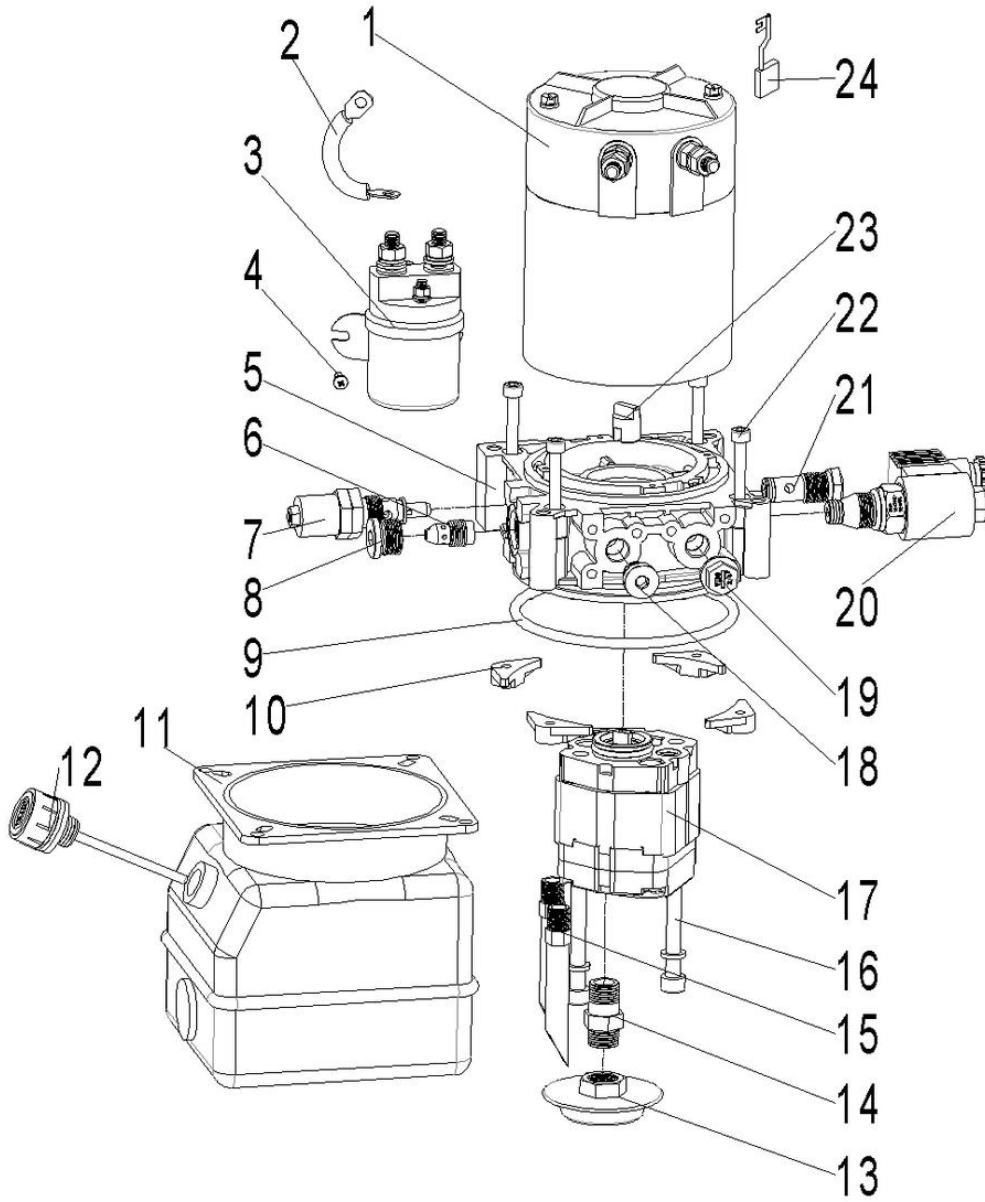
**Fig.7 PT 36R Hydraulic system**



**Fig. 7 PT 36R Hydraulic System**

No.	Art No.	New Code	Description	Qty.	Note
1		950900100024	DC power unit	1	
2	9000007832	950400300007	G Straight joint	2	
3	9000007838	950400200003	Steering joint	2	
4	0000023006	910400500007	Washer	2	10
5	0000023088	910200200076	Screw	2	M10x25
6	9000007825	506224020003	Hydraulic tube assembly	1	
7	1000413001	940500100018	Bushing	2	20X23X15
8	9000010111	506224020001	Cylinder shaft	1	
9	0000028057	910600400029	Roll pin	1	5x45
10	9000010112	506224020000	Bushing	2	
11	9000010113	506224020002	Cylinder block	2	
12	0000023904	910100100040	Bolt	4	M10x90
13	9000010114	506238520050	Cylinder pin roll	1	
14	0090000035	910600600032	Split pin	1	3.2x40
15	9000010123	506224010000	Cylinder components	1	
16	9000010124	506398510002	Cylinder body	1	
17	9000010149	506398520001	U cover	1	
18	9000010148	506398520002	Ring	1	
19	9000010125	506398520003	Piston rod	1	
1	9000010126	506398510003	Cylinder seal components	1	

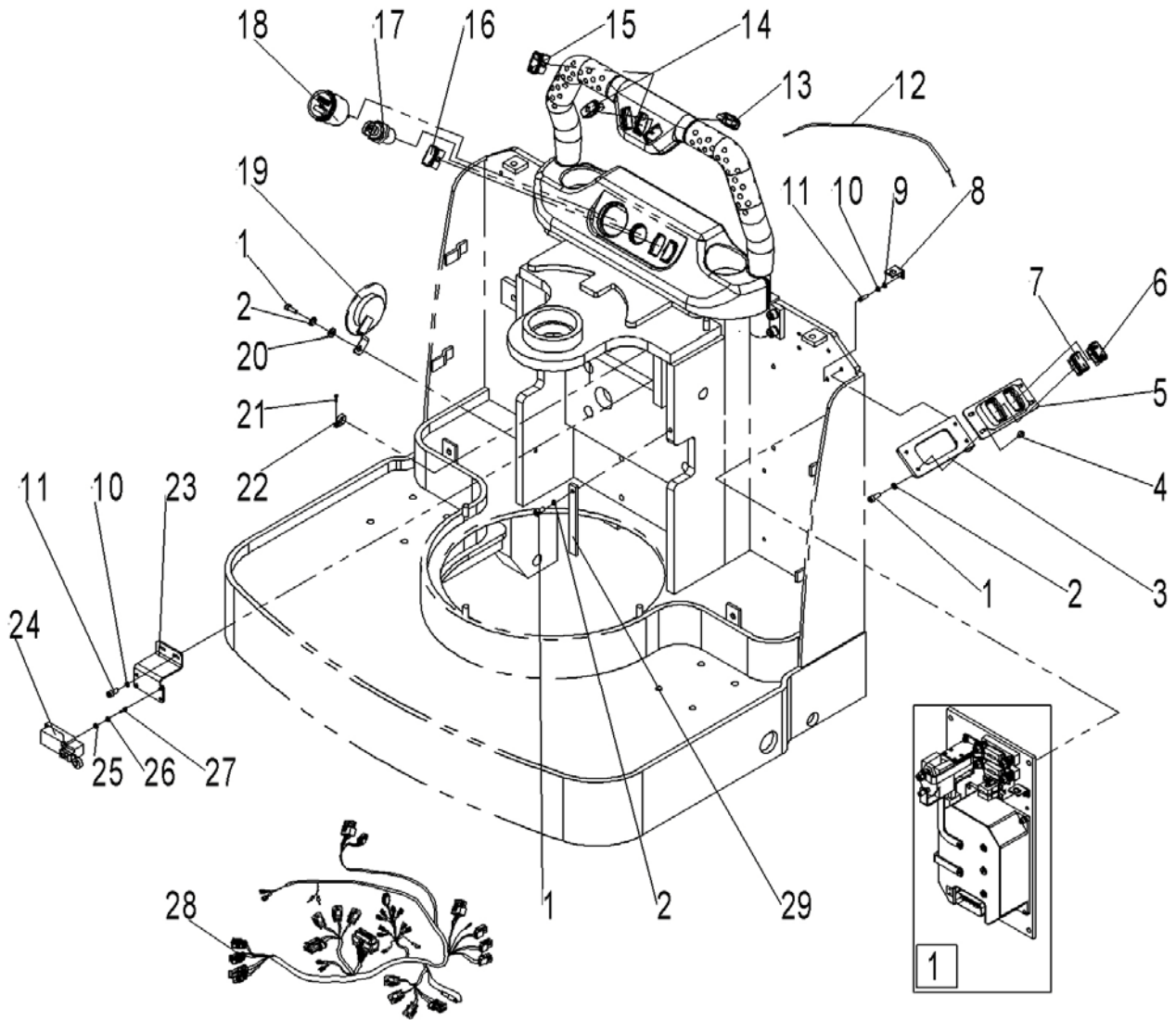
Fig.8 Pump system



**Fig. 8 Pump system**

No.	New Code	Description	Qty.	Note
1	532098510001	Motor	1	MD24220
2	505798510004	Connecting wire	1	RSWC-01
3	532098510002	Starting switch	1	DK0324
4	910200500036	Screw	2	M5x8
5	505798520005	Valve block	1	CMF-01-03
6	505798510006	Pressure-compensated valve	1	RPCV-02-06
7	505798510007	Flood valve	1	RV-04
8	402698520020	Stopper	1	SP-06
9	910800100088	O ring	1	112x3.55
10	505798520008	Nut	4	
11	505798520009	Tank	1	1.5L-TP120A137-V
12	505698520047	Tank cap	1	FC-03N
13	402698520010	Strainer	1	FS-03B
14	505798520010	Suction pipe	1	FP-03V-035
15	505798520012	Return pipe	2	RU12-090
16	910200200070	Bolt	2	M8x80
17	532098510000	Gear pump	1	CBK-F120
18	505798520014	Stopper	1	SP-03
19	505798520015	Stopper	1	PP-03
20	532098510006	Control valve	1	SCV-024DC
21	505798510012	Check valve	1	CV-04
22	910200200042	Bolt	4	M6x45
23	505798520018	Coupling	1	DCP-048
24	505798510013	Carbon brush set	1	

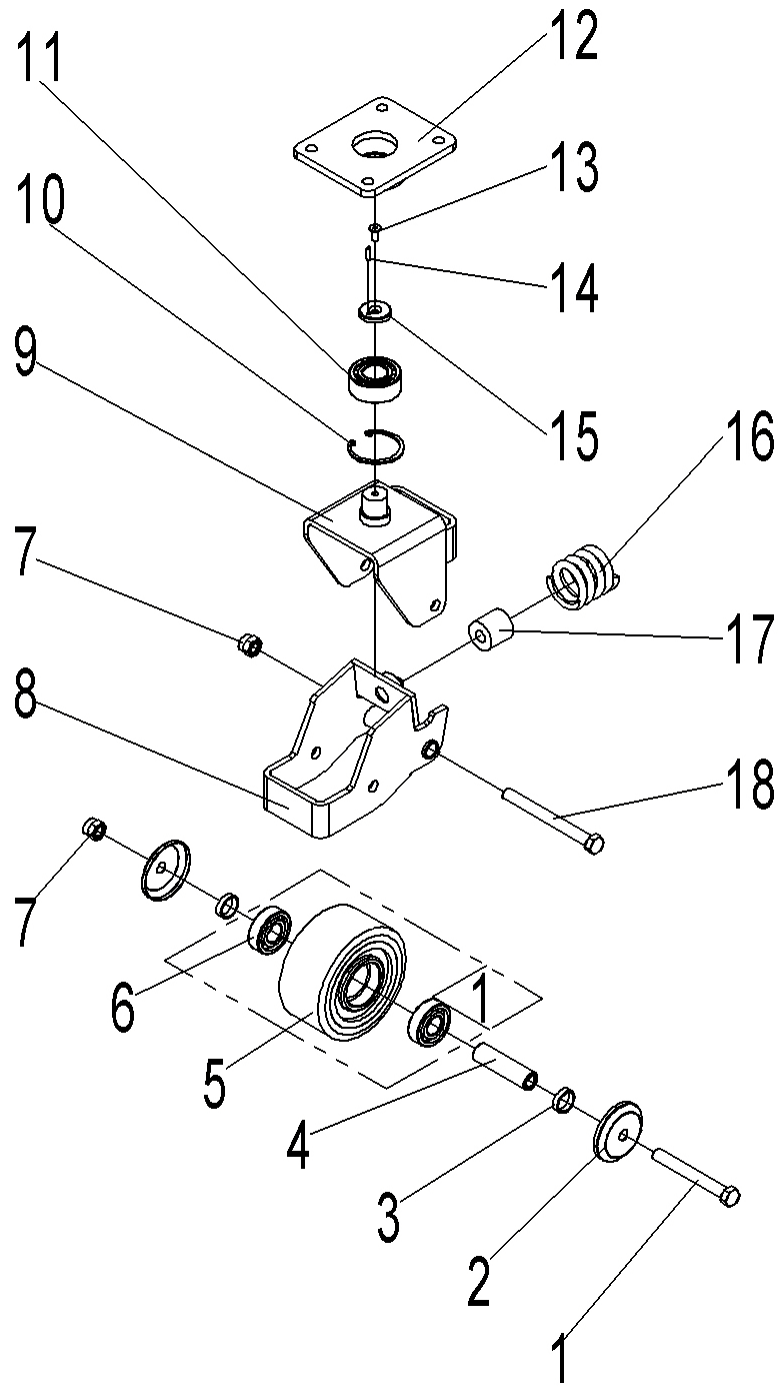
Fig.9 Electrical components



**Fig. 9 Electrical Components**

No.	Art No.	New Code	Description	Qty.	Note
1	9000010127	506233010010	Electrical components	1	
	9000010240	506333010005		1	
1	0000023040	910200200035	Screw	7	M6x16
2	0000025010	910400500005	Washer	7	6
3	9000010128	506221520035	Side switch assembling plate	2	
4	0000023516	910200500037	Screw	8	M5x10
5	9000010129	506221520034	Switch block	2	
6	9000009781	920200800001	Rocker switch	2	3203-00090-OAA
7	9000009782	920200800002	Rocker switch	2	3203-00090-OC
8	1010404005	921300300002	Connector fixed frame	4	Two core
9	0000025019	910400100003	Washer	4	4
10	0000025018	910400500003	Washer	6	4
11	0000023056	910200200014	Screw	6	M4x12
12	9000010158	506233010002	Button box wiring harness	1	
13	9000009783	920200800003	Rocker switch	1	3203-00090-0D
14	9000009784	920200800006	Rocker switch	2	3203-00090-OE
15	9000002376	920200800004	Rocker switch	1	3203-00092-OV
16	9000010154	920200800007	Seal cover	2	3305E00140-AO
17	9000010241	505934010000	Key switch	1	LKS-101A
18	1000434025	921100100001	Indicator	1	CURTIS 803
19	1000434015	920500100001	Horn	1	DC24V
20	0000023055	910400100004	Washer	1	6
21	0000023059	910200200014	Screw	3	M4x8
22	1000403004	921300200002	Cable clamp	3	UC-2
23	9000010130	506221520033	Limit switch assembling plate	1	
24	4000134001	920200600004	Limit switch	1	TZ-8104
25	0000025014	910400100004	Washer	4	5
26	0000025015	910400500004	Washer	4	5
27	0000023076	910200200022	Screw	4	M5x12
28	9000010157	506233010001	Main control wiring harness	1	
29	9000010131	506221520045	Wire damper	2	

Fig.10 Steering wheel

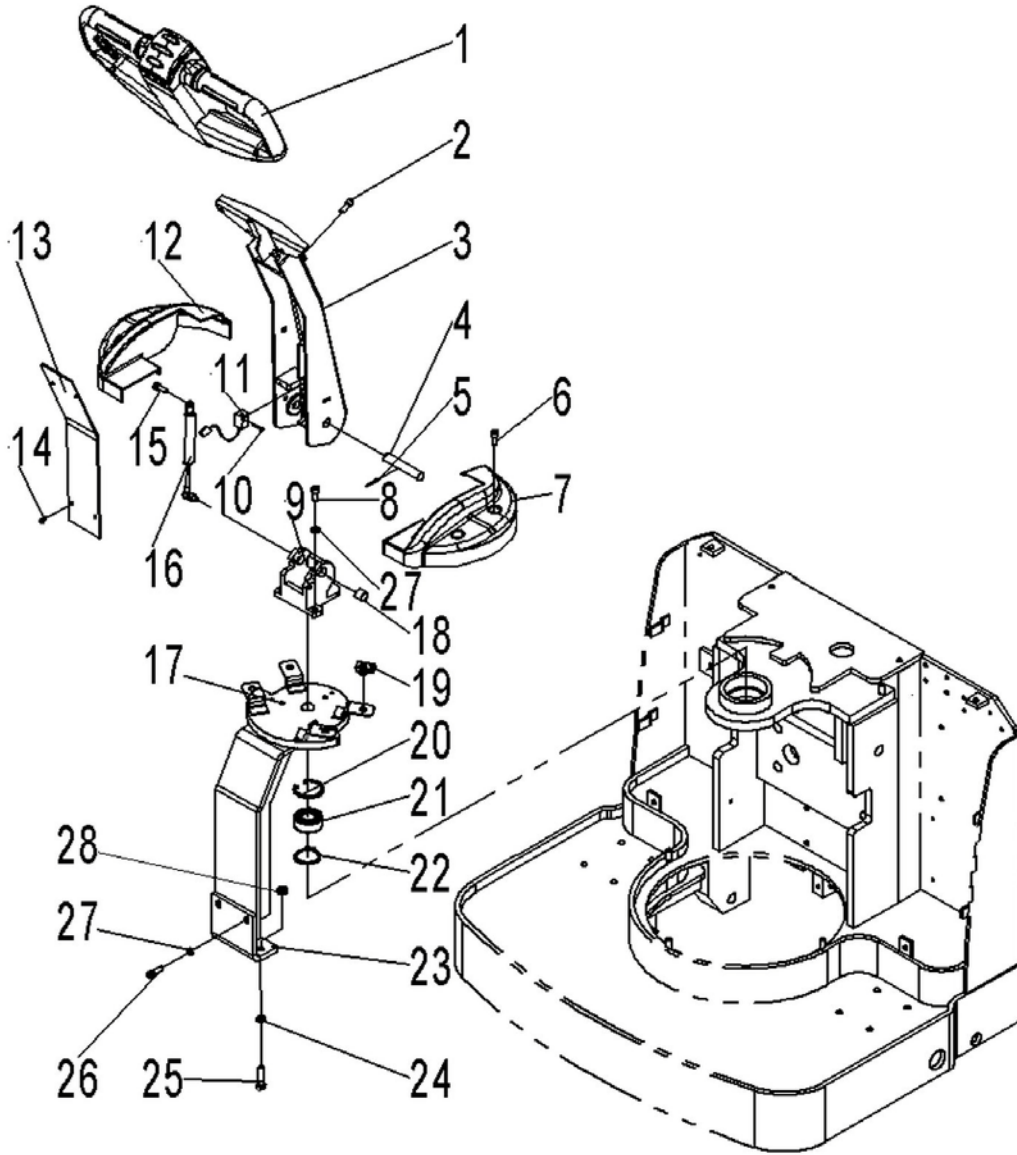


**Fig. 10 Steering Wheel**

No.	Art No.	New Code	Description	Qty.	Note
1	0000023336	910100100058	Bolt	1	M12x100
2	9000010132	505916520010	Dust cover	2	
3	1000425003	505616520012	Washer	2	
4	9000010133	506216520008	Shft sleeve	1	
5	2020416001	940300300019	Castor	1	124X60
6	0000027001	910700200019	Bearing	2	6204
7	0000024006	910300500006	Nut	2	M12
1	9000010134	506298510012	Small wheel	1	
8	9000010135	506216510003	Rotating arm	1	
9	9000010136	506216510002	Wheel carrier	1	
10	0000026002	910401400016	Retainer ring	1	52
11	0090000037	910700500002	Bearing	1	3205
12	9000010137	506216510001	Linking plate	1	
13	1000523002	941100300001	Screw	1	M6X14
14	0000028004	910600100004	Roll pin	1	4x14
15	1000426001	505616520007	Retaining ring	1	
16	1000431001	940400500007	Pressure spring	1	φ8 length 62
17	1000419001	505616520000	Polyurethane spring	1	
18	0000023157	910100100060	Bolt	1	M12x120



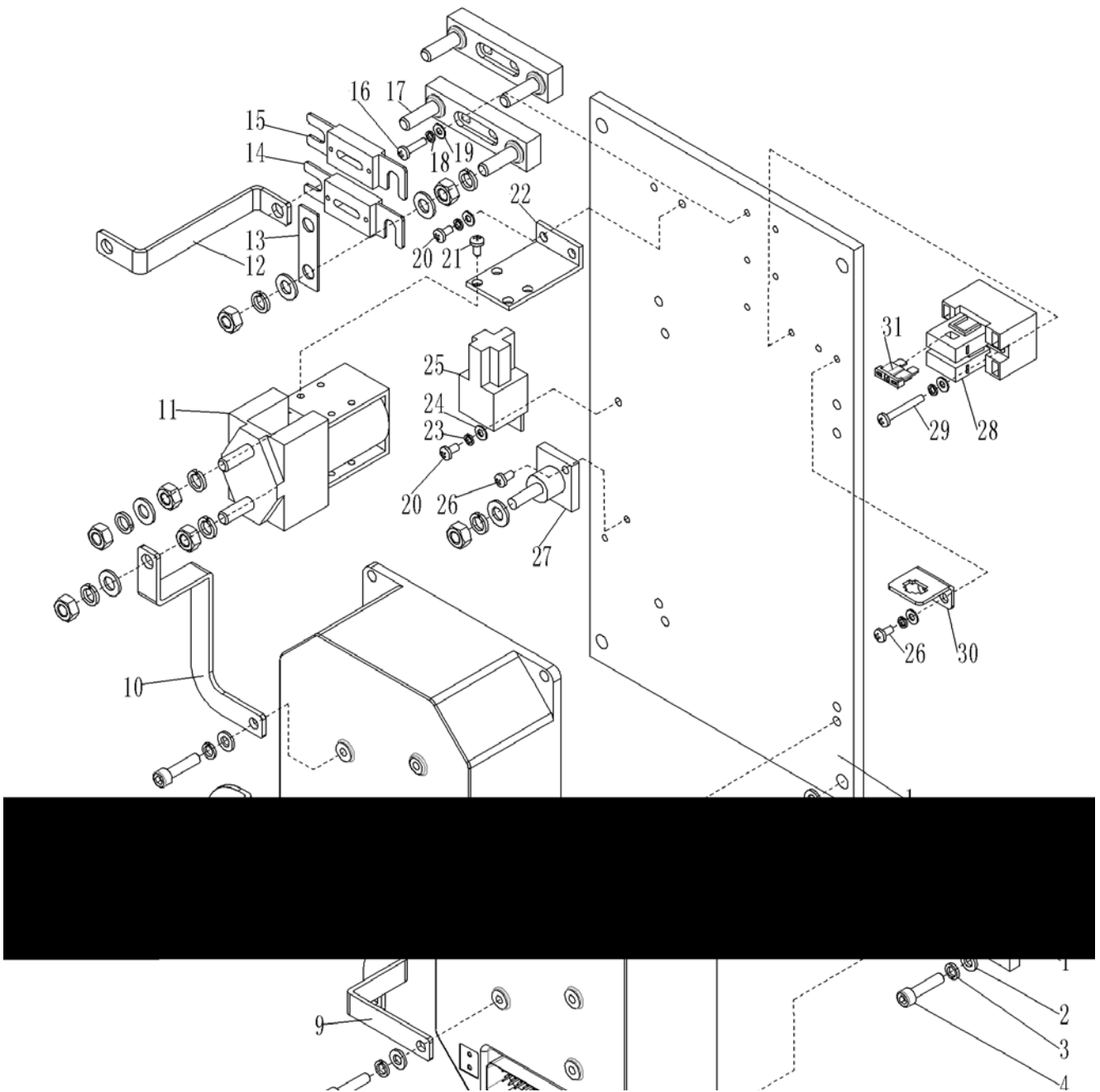
Fig.11 Tiller arm



**Fig. 11 Tiller Arm**

No.	Art No.	New Code	Description	Qty.	Note
1		922100100003	Tiller	1	
2	0000023146	910200200055	Screw	4	M8x16
3	9000010138	506211010001	Handle bar	1	
4	9000010139	506211020013	Shaft	1	
5	0000028003	910600400013	Roll pin	1	4x24
6	0090000448	941100400001	Screw	4	M8x20
7	9000010140	506231220008	Right cover	1	
8	0000023047	910200200058	Screw	3	M8x25
9	9000010141	506211010002	Tiller base	1	
10	0000023075	910200500015	Screw	2	M3x20
11	9000008327	505633510000	Proximity switch	1	NBN5-F7-E2
12	9000010142	506231220007	Left cover	1	
13	9000010143	506211020012	Rear cover	1	
14	0000023307	910200500021	Screw	4	M4x10
15	0000023044	941100400001	Screw	1	M8x20
16	1010121001	940400100007	Air spring	1	S≥55
17	9000010144	506231210000	Tiller steering holder	1	
18	1000113001	940500200002	Shoulder harness	2	
19	9000007784	940400400002	Nut	4	M8
20	0000026084	910401400022	Retainer ring	1	80
21	0090000549	910700400005	Bearing	1	7208C
22	0000026014	910401300020	Retainer ring	1	40
23	9000010145	506231220009	Linking plate	1	
24	0000023006	910400500007	Washer	2	10
25	0000023680	910100300039	Bolt	2	M10x40
26	0000023047	910200200058	Screw	2	M8x25
27	0000025001	910400500006	Washer	5	8
28	0000023005	910300500005	Nut	2	

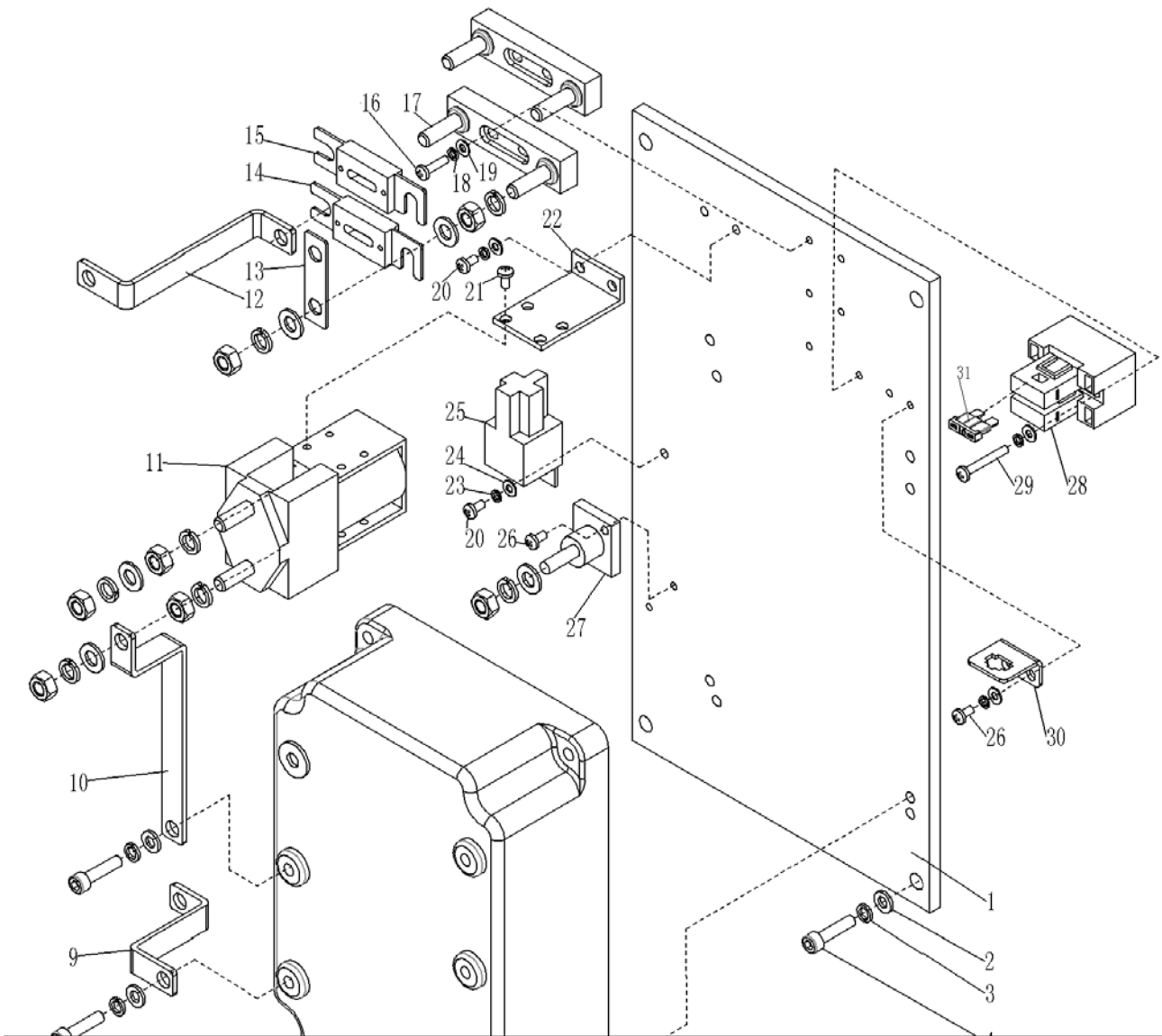
Fig.12 PT 27R Controller



**Fig. 12 PT 27R Controller**

No.	Art No.	New Code	Description	Qty.	Note
1	9000008936	506233020000	Aluminium plate	1	
2	0000025005	910400100006	Washer	4	8
3	0000025001	910400500006	Washer	4	8
4	0000023078	910200200055	Screw	4	M8x16
5	9000008940	921400100007	Controller	1	CURTIS1234E-2371
6	0000025007	910400100005	Washer	9	6
7	0000025010	910400500005	Washer	9	6
8	0000023555	910200200035	Screw	9	M6x16
9	9000008938	506233020002	Copper bar	1	
10	9000008939	506233020003	Copper bar	1	
11	2390434003	920700100002	Contactor	1	SW180B-4 DC24V
12	9000008937	506233020001	Copper bar	1	
13	9000008941	506233020004	Copper bar	1	
14	9000017154	920100100011	Fuse	1	300A
15	2210434004	920100100007	Fuse	1	150A
16	0000023211	910200500024	Screw	4	M4x16
17	1000434007	920100400002	Fuse seat	2	SY Y
18	0000025018	910400500003	Washer	12	4
19	0000025019	910400100003	Washer	12	4
20	0000023516	910200500037	Screw	3	M5x10
21	0000023017	910200500020	Screw	4	M4x6
22	9000001306	921300400004	Main contactor assembly frame	1	
23	0000025015	910400500004	Washer	3	5
24	0000023032	910400100004	Washer	3	5
25	1000434041	920800100001	Relay	1	ACR01F-F-1C DC24V
26	0000023071	910200500034	Screw	4	M4x8
27	1020434002	920100400001	M8 fixing ponit	1	BD-M8
28	9000008586	920100400005	Fuse seat	1	BD-2X10A-1
29	0000023041	910200500028	Screw	2	M4x30
30	9000007679	921300300001	Plug fixing plate	1	
31	1000434040	920100200002	Fuse	1	10A

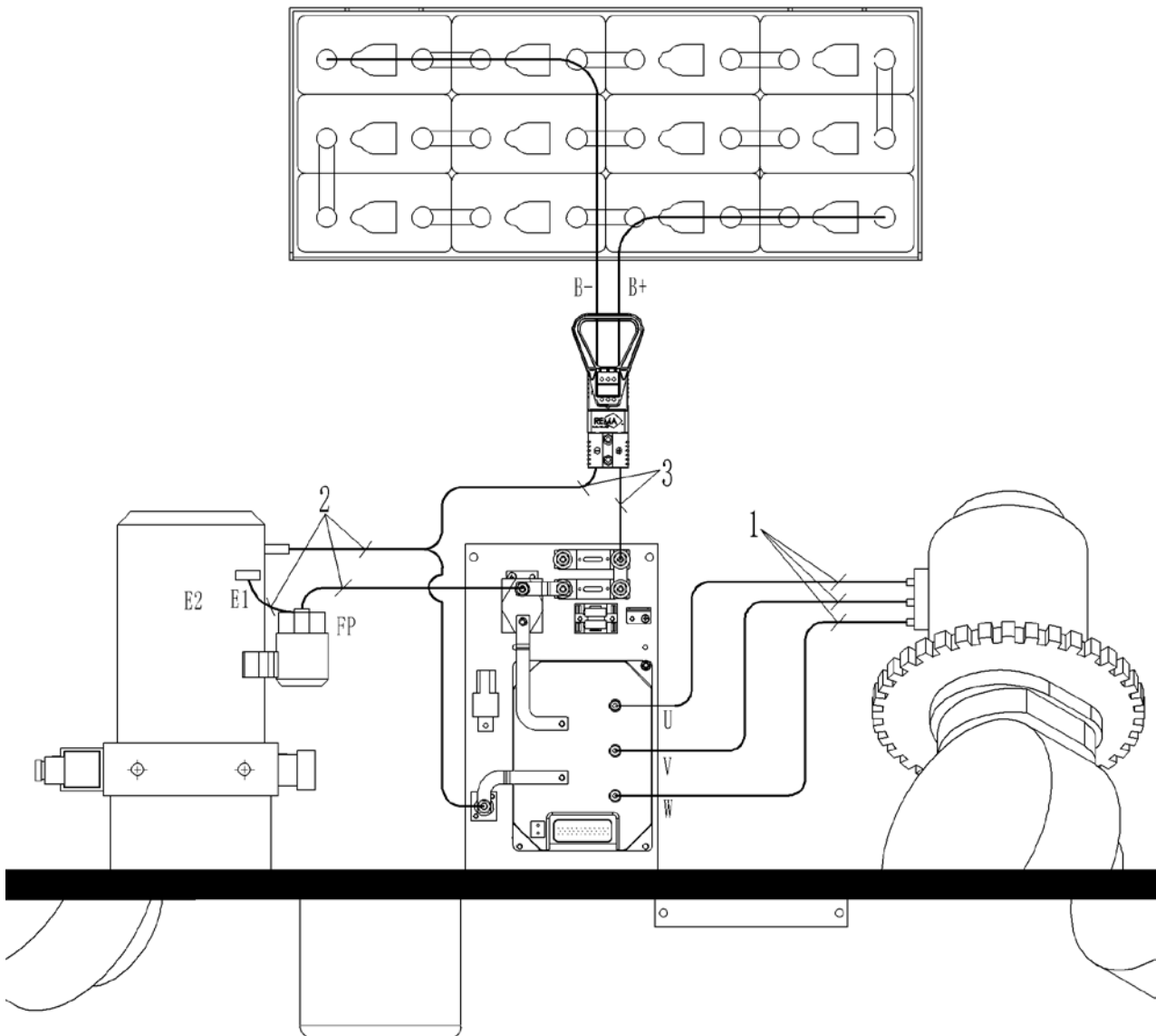
Fig.13 PT 36R Controller



**Fig. 13 PT 36R Controller**

No.	Art No.	New Code	Description	Qty.	Note
1	9000008936	506233020000	Aluminium plate	1	
2	0000025005	910400100006	Washer	9	8
3	0000025001	910400500006	Washer	9	8
4	0000023078	910200200055	Screw	9	M8x16
5	9000010242	921400100012	Controller	1	CURTIS1236E-4501
6	0000025007	910400100005	Washer	4	6
7	0000025010	910400500005	Washer	4	6
8	0000023193	910200200038	Screw	4	M6x25
9	9000010238	506333020000	Copper bar	1	
10	9000010239	506333020001	Copper bar	1	
11	2390434003	920700100002	Contactor	1	SW180B-4 DC24V
12	9000008937	506233020001	Copper bar	1	
13	9000008941	506233020004	Copper bar	1	
14	9000008635	920100100013	Fuse	1	350A
15	2210434004	920100100007	Fuse	1	150A
16	0000023211	910200500024	Screw	2	M4x16
17	1000434007	920100400002	Fuse seat	2	SYV
18	0000025018	910400500003	Washer	12	4
19	0000025019	910400100003	Washer	12	4
20	0000023516	910200500037	Screw	3	M5x10
21	0000023727	910200500020	Screw	4	M4x5
22	9000001306	921300400004	Main contactor assembly frame	1	
23	0000025015	910400500004	Washer	3	5
24	0000023032	910400100004	Washer	3	5
25	1000434041	920800100001	Relay	1	ACR01F-F-1C DC24V
26	0000023071	910200500034	Screw	10	M4x8
27	1020434002	920100400001	M8 fixing ponit	1	BD-M8
28	9000008586	920100400005	Fuse seat	1	BD-2X10A-1
29	0000023041	910200500028	Screw	2	M4x30
30	9000007679	921300300001	Plug fixing plate	1	
31	1000434040	920100200002	Fuse	1	10A

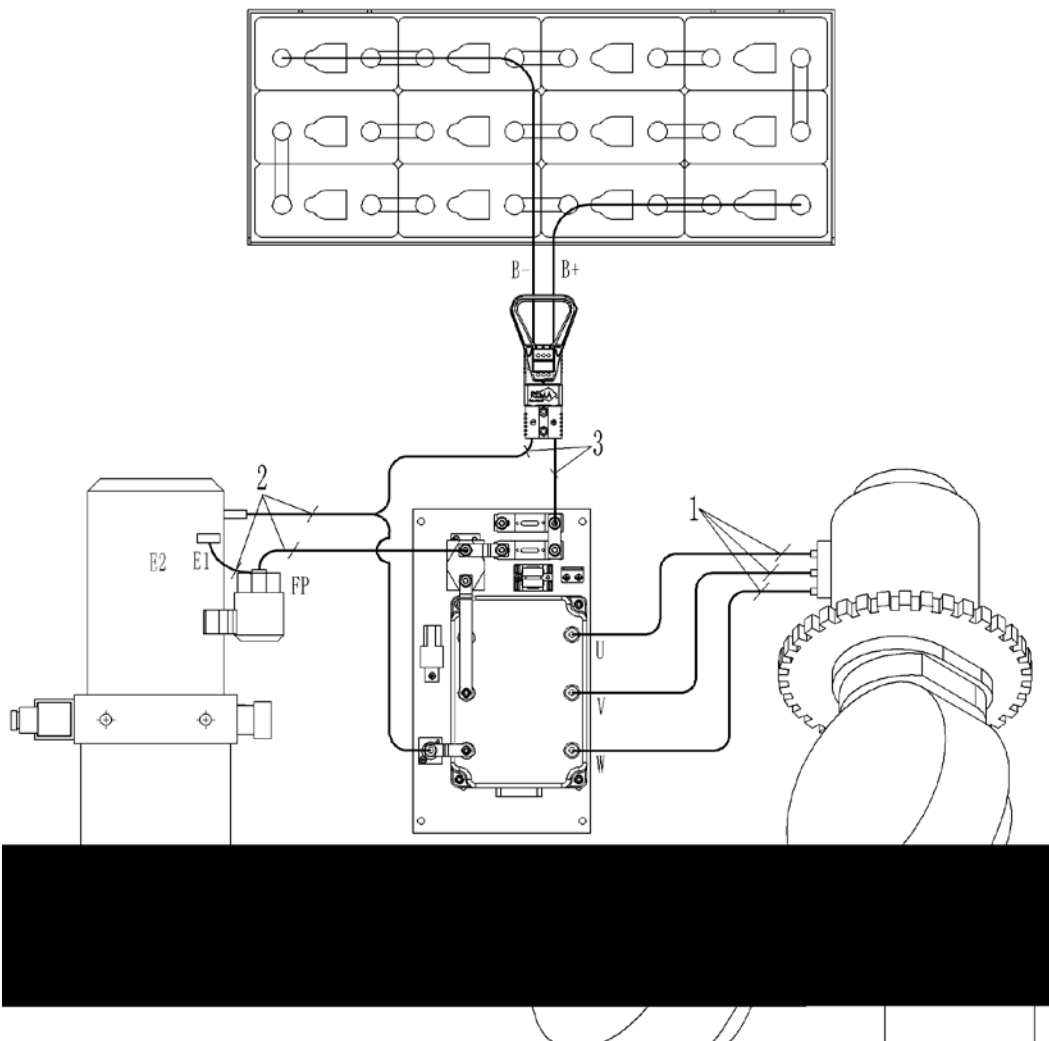
**Fig.14 PT 27R Main harness**



**Fig. 14 PT 27R Main Harness**

No.	Art No.	New Code	Description	Qty.	Note
1	9000010237	506233010003	Cable-U-35-6-10-900	1	
		506233010004	Cable-V-35-6-10-800	1	
		506233010005	Cable-W-35-6-10-700	1	
2	9000010160	506233010006	Cable-FP-25-6-8-1150	1	
		506233010007	Cable-E1-25-8-8-150	1	
		506233010008	Cable-E2-25-8-8-1050	1	
3	9000010161	506233010009	Power supply cable	1	

**Fig.15 PT 36R Main harness**



**Fig. 15 PT 36R Main Harness**

No.	Art No.	New Code	Description	Qty.	Note
1	9000010237	506333010002	Cable-U-50-8-10-900	1	
		506333010003	Cable-V-50-8-10-800		
		506333010004	Cable-W-50-8-10-700		
2	9000010160	506233010006	Cable-FP-25-6-8-1150		
		506233010007	Cable-E1-25-8-8-150	1	
		506233010008	Cable-E2-25-8-8-1050		
3	9000010161	506233010009	Power supply cable	1	



Fig.16 PT 27R Label

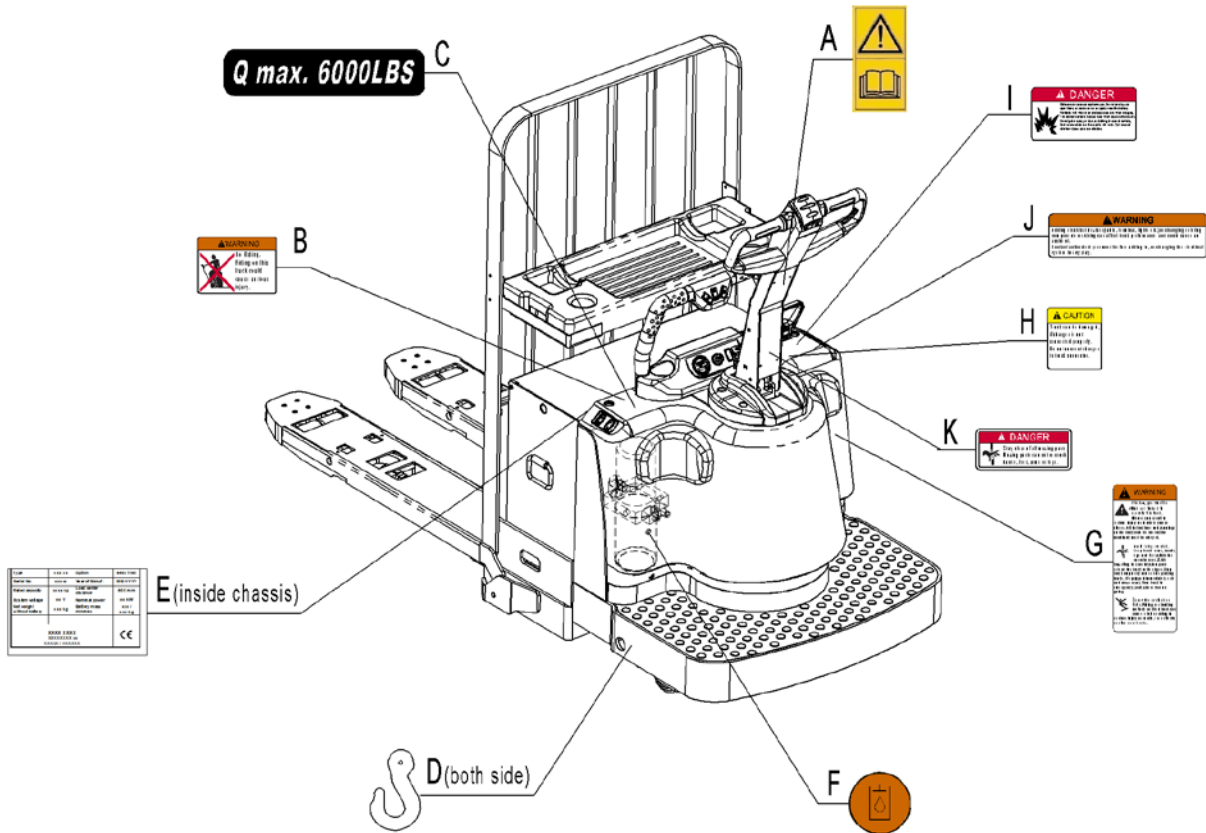


Fig. 16 PT 27R Label

No.	Art No.	New Code	Description	Qty.	Note
A	9000003570	941200300002	Sign read and follow this	1	
B	9000003580	941200100011	'No passengers' decal		
C	9000009408	941200200051	Sign capacity sticker (6000LBS)	1	
D	9000005967	941200300001	Crane hook label	2	
E	9000010152	506347020001	Identification plate	1	
F	9000008555	941200300003	Filling sticker		
G	9000003575	941200100009	Warning sticker		
H	9000003576	941200100012	Warning sticker		
I	9000003577	941200100013	Warning sticker		
J	9000003579	941200100010	Warning sticker		
K	9000005970	941200100014	Warning sticker		

Fig.17 PT 36R Label

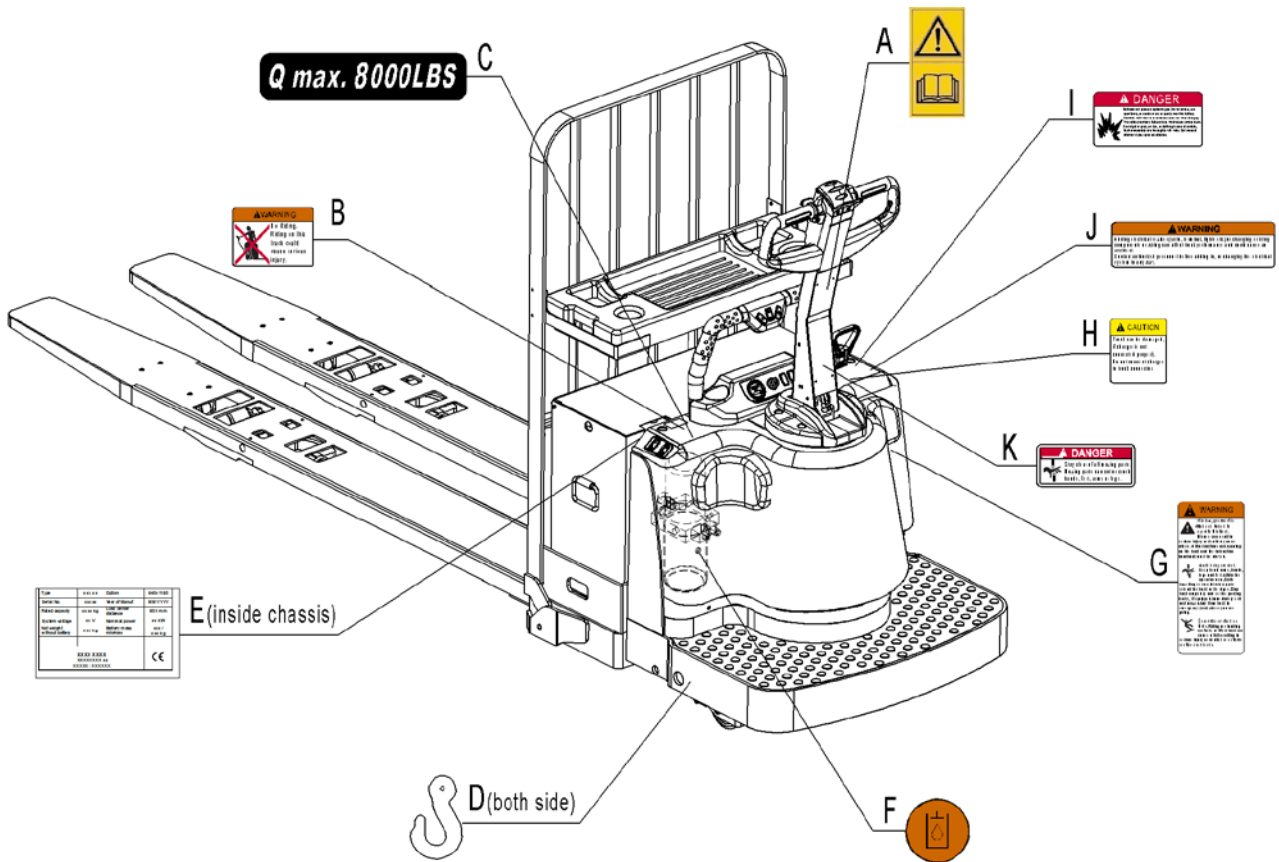


Fig. 17 PT 36R Label

No.	Art No.	New Code	Description	Qty.	Note
A	9000003570	941200300002	Sign read and follow this	1	
B	9000003580	941200100011	'No passengers' decal		
C	9000010170	941200200051	Sign capacity sticker (8000LBS)	1	
D	9000005967	941200300001	Crane hook label	2	
E	9000010152	506247020001	Identification plate	1	
F	9000008555	941200300003	Filling sticker		
G	9000003575	941200100009	Warning sticker		
H	9000003576	941200100012	Warning sticker		
I	9000003577	941200100013	Warning sticker		
J	9000003579	941200100010	Warning sticker		
K	9000005970	941200100014	Warning sticker		

### Easy worn parts list

No.	Art No.	New Code	Name	Qty.	Fig./Position	Note
1	9000010055	940500100031	Bushing (25X28X30)	4	Fig.1/5	Fork Frame
2	0000030002	911200100002	Oil cup M6	6	Fig.1/9	
3	9000009834	940500100026	Bushing (25X28X15)	4	Fig.1/10	
4	9000008262	940500100018	Bushing 20X23X15	4	Fig.1/18	
5	0000027001	910700200019	Bearing 6204	8	Fig.1/24	
6	9000010073	506238520041	Enter roller	8	Fig.1/29	
7	9000008792	940300300008	Load roller 82X82	4	Fig.1/30	
8	9000008261	940500100004	Bushing(15X17X15)	4	Fig.1/33	
9	0000030001	911200100001	Oil cup 6	4	Fig.1/35	
10	9000010034	940500100020	Bushing (20X23X20)	4	Fig.1/38	
11	0000027060	910700200017	Bearing 6202	16	Fig.1/56	
12	9000010055	940500100031	Bushing (25X28X30)	4	Fig.2/5	
13	0000030002	911200100002	Oil cup M6	6	Fig.2/9	
14	9000009834	940500100026	Bushing (25X28X15)	4	Fig.2/10	
15	9000008262	940500100018	Bushing 20X23X15	4	Fig.2/18	
16	0000027001	910700200019	Bearing 6204	8	Fig.2/25	
17	9000008792	940300300007	Load roller 82X82	8	Fig.2/27	
18	9000010073	506238520041	Enter roller	8	Fig.2/30	
19	0000030001	911200100001	Oil cup 6	4	Fig.2/33	
20	9000010034	940500100020	Bushing (20X23X20)	4	Fig.2/36	
21	0000027060	910700200017	Bearing 6202	16	Fig.2/54	
22	0000030002	911200100002	Oil cup M6	4	Fig.4/6	Electrical box components
23	9000010034	940500100020	Bushing 20X23X20	4	Fig.4/30	Electrical box components
24	9000007764	940300400003	Drive wheel	1	Fig.5/11	Drive wheel
25	1000413001	940500100018	Bushing 20X23X15	2	Fig.6/7	Hydraulic system
26	9000010181	506298520007	Y ring for axle 56*66*10/11	1	Fig.6/17	
27	9000010180	506298520008	Dust ring	1	Fig.6/18	
28	1000413001	940500100018	Bushing 20X23X15	2	Fig.7/7	

29	9000010149	506398520001	U cover	1	Fig.7/17	
30	9000010148	506398520002	Ring	1	Fig.7/18	
31		505798510013	Carbon brush (component)	1	Fig.8/24	Pump system
32	9000009781	920200800001	Rocker switch 3203-00090-OAA	2	Fig.9/6	Electrical components
33	9000009782	920200800002	Rocker switch 3203-00090-OC	2	Fig.9/7	
34	9000009783	920200800003	Rocker switch 3203-00090-OD	1	Fig.9/13	
35	9000009784	920200800006	Rocker switch 3203-00090-OE	2	Fig.9/14	
36	9000002376	920200800004	Rocker switch 3203-00092-OV	1	Fig.9/15	
37	4000134001	920200600004	Limit switch TZ-8104	1	Fig.9/24	
38	2020416001	940300300019	Castor 124X60	1	Fig.10/5	
39	0000027001	910700200019	Bearing 6204	2	Fig.10/6	
40	0090000037	910700500002	Bearing 3205	1	Fig.10/11	
41	1000419001	505616520000	Polyurethane spring	1	Fig.10/17	
42	9000008327	505633510000	Proximity switch NBN5-F7-E5	1	Fig.11/11	Tiller arm
43	1010121001	940400100007	Air spring (S≥55)	1	Fig.11/16	
44	1000113001	940500200002	Shoulder harness	2	Fig.11/18	
45	0090000549	910700400005	Bearing 7208C	1	Fig.11/21	
46	1020434001	920100100011	Fuse 200A	1	Fig.12/14	PT 27R Controller
47	2210434004	920100100007	Fuse 150A	1	Fig.12/15	
48	1000434040	920100200002	Fuse 10A	1	Fig.12/31	
49	9000008635	920100100013	Fuse 350A	1	Fig.13/14	PT 36R Controller
50	2210434004	920100100007	Fuse 150A	1	Fig.13/15	
51	1000434040	920100200002	Fuse 10A	1	Fig.13/31	