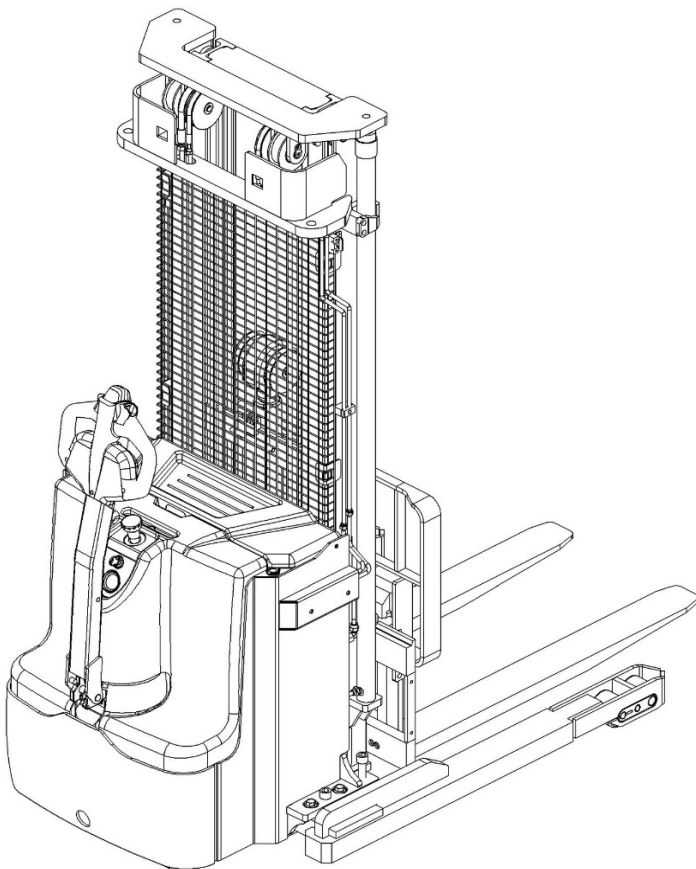


SPAREPARTS LIST

Electric Stacker PS40TSL



Version 04/2019

From truck identification number:

PS40TSL-BPT-002-EN

Catalogue

Fig. 1 Label (For EU).....	1
Fig. 2 Label (For US).....	2
Fig. 3 Fork carriage	3
Fig. 4 Chassis assembly	4
Fig. 5 Power supply (built-in charger)	6
Fig. 6 Instrument components.....	7
Fig. 7 Battery cover assembly.....	8
Fig. 8 Side roller components	9
Fig. 9 Full free lift three-stage mast system	11
Fig. 10 Standard lift three-stage mast system	12
Fig. 11 Full free lift two-stage mast system.....	13
Fig. 12 Standard lift two-stage mast system	14
Fig. 13 Full free lift three-stage mast chain system (Side shift).....	15
Fig. 14 Full free lift Three-stage mast chain system (Regular).....	17
Fig. 15 Standard lift three-stage mast chain system.....	19
Fig. 16 Full free lift two-stage mast chain system.....	20
Fig. 17 Standard lift two-stage mast chain system (Side shift).....	22
Fig. 18 Standard lift two-stage mast chain system (Regular).....	24
Fig. 19 Other parts of mast.....	25
Fig. 20 Full free lift three-stage mast hydraulic system (Side shift).....	27
Fig. 21 Full free lift three-stage mast hydraulic system (Regular).....	30
Fig. 22 Standard lift three-stage mast hydraulic system.....	32
Fig. 23 Full free lift two-stage mast hydraulic system	34
Fig. 24 Standard lift two-stage mast hydraulic system (Side shift).....	36
Fig. 25 Standard lift two-stage mast hydraulic system (Regular).....	39
Fig. 26 Full free lift three-stage mast outer cylinder components.....	41
Fig. 27 Full free lift three-stage mast middle cylinder componets	43
Fig. 28 Standard lift three-stage mast outer cylinder components.....	45
Fig. 29 Full free lift two-stage mast outer cylinder components	47
Fig. 30 Full free lift two-stage mast middle cylinder components.....	49
Fig. 31 Standard lift two-stage mast outer cylinder components.....	51
Fig. 32 Driving system assembly	53
Fig. 33 Driving assembly.....	55
Fig. 34 Load roller assembly	57
Fig. 35 Tiller control assembly.....	58
Fig. 36 Pump components	59
Fig. 37 Main circuit wiring harness.....	60
Fig. 38 Electrical components	61
Fig. 39 Electrical controller components (COMBIACX)	63
Fig. 40 Load backrest (Regular).....	65
Fig. 41 Load backrest (Side shift)	66
Easy worn parts list	67

Fig. 1 Label (For EU)

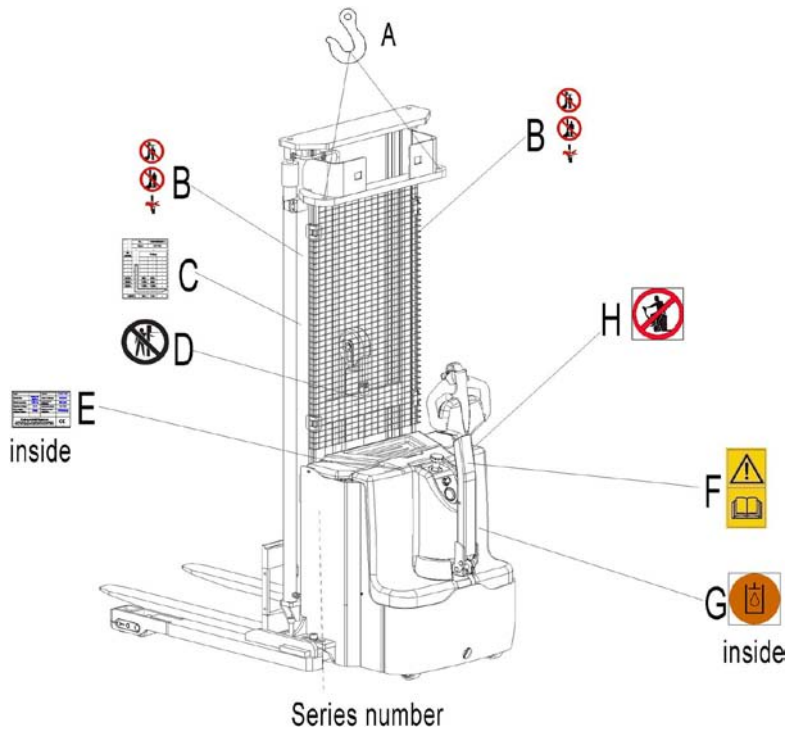


Fig.1 Label (For EU)

No.	Art No.	Description	Qty.	Note
A	941200300001	Crane hook label	2	
B	941200100004	Warning decal: Do not step under or on the forks	2	
C	535147520000	Residual lift capacity sticker	1	
D	941200100006	Never reach through	1	
E	535147020001	CE label	1	
F	941200300002	Sticker to read and follow these instructions	1	
G	941200300003	Filling sticker	1	
H	941200300018	'No passengers' decal	1	

Fig. 2 Label (For US)

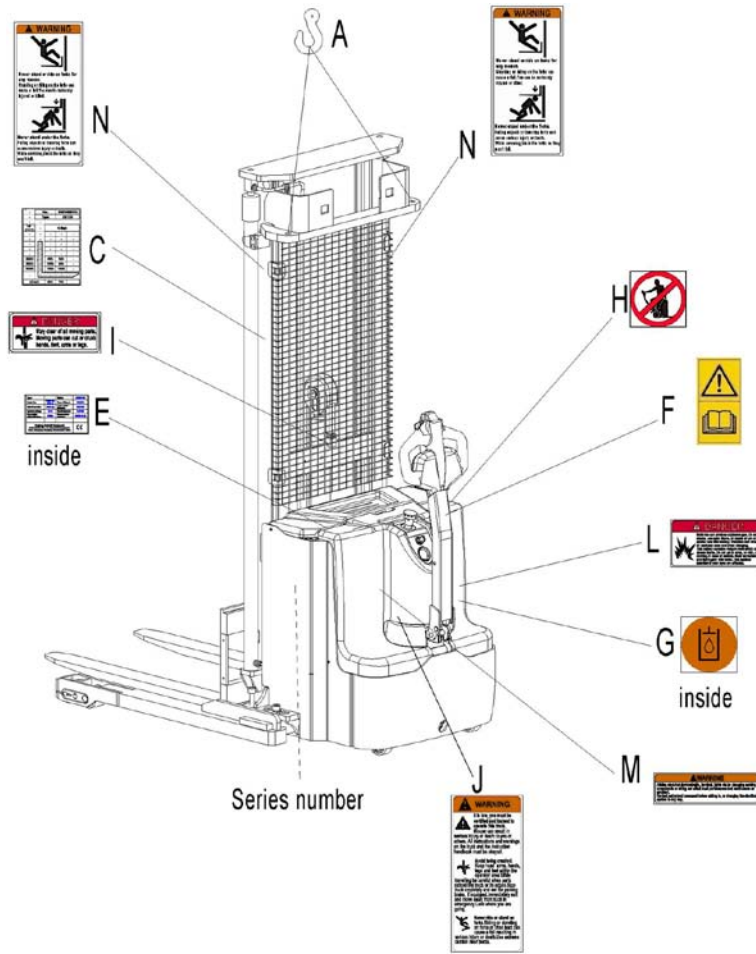


Fig.2 Label (For US)

No.	Art No.	Description	Qty.	Note
A	941200300001	Crane hook label	2	
C	535147520000	Residual lift capacity sticker	1	
E	535147520001	CE label	1	
F	941200300002	Sticker to read and follow these instructions	1	
G	941200300003	Filling sticker	1	
H	941200300018	Warning label	1	
I	941200100014	Warning label	1	
J	941200100009	Warning label	1	
L	941200100013	Warning label	1	
M	941200100010	Warning label	1	
N	941200100016	Warning label	1	

Fig. 3 Fork carriage

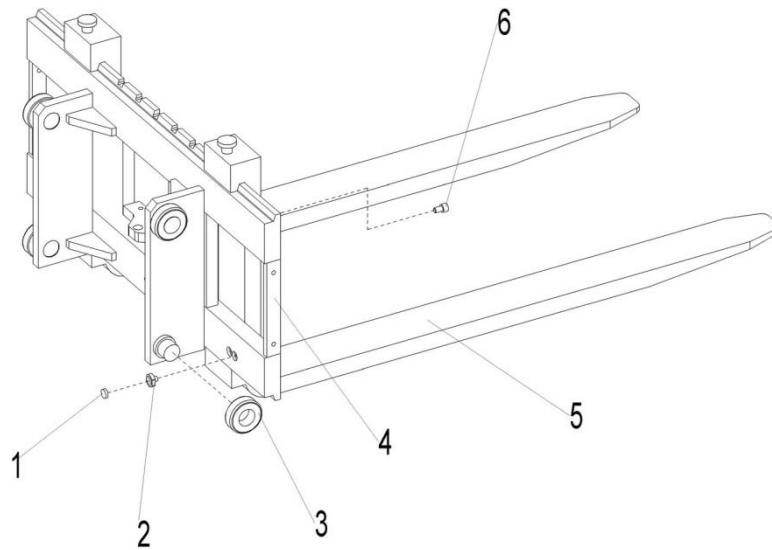


Fig. 3 Fork carriage

No.	Art No.	Description	Qty.	Note
1	940600100001	Magnetic steel	1	Φ 18x5
2	940600200001	Magnetic steel base	1	
3	940200300001	Compound roller	4	
4	535138010000	Fork carriage welding	1	Two-stage mast
	535138010001	Fork carriage welding	1	Three-stage mast
5	940100100010	Hook II A fork	2	
6	910200200074	Screw	3	M10x16

Fig. 4 Chassis assembly

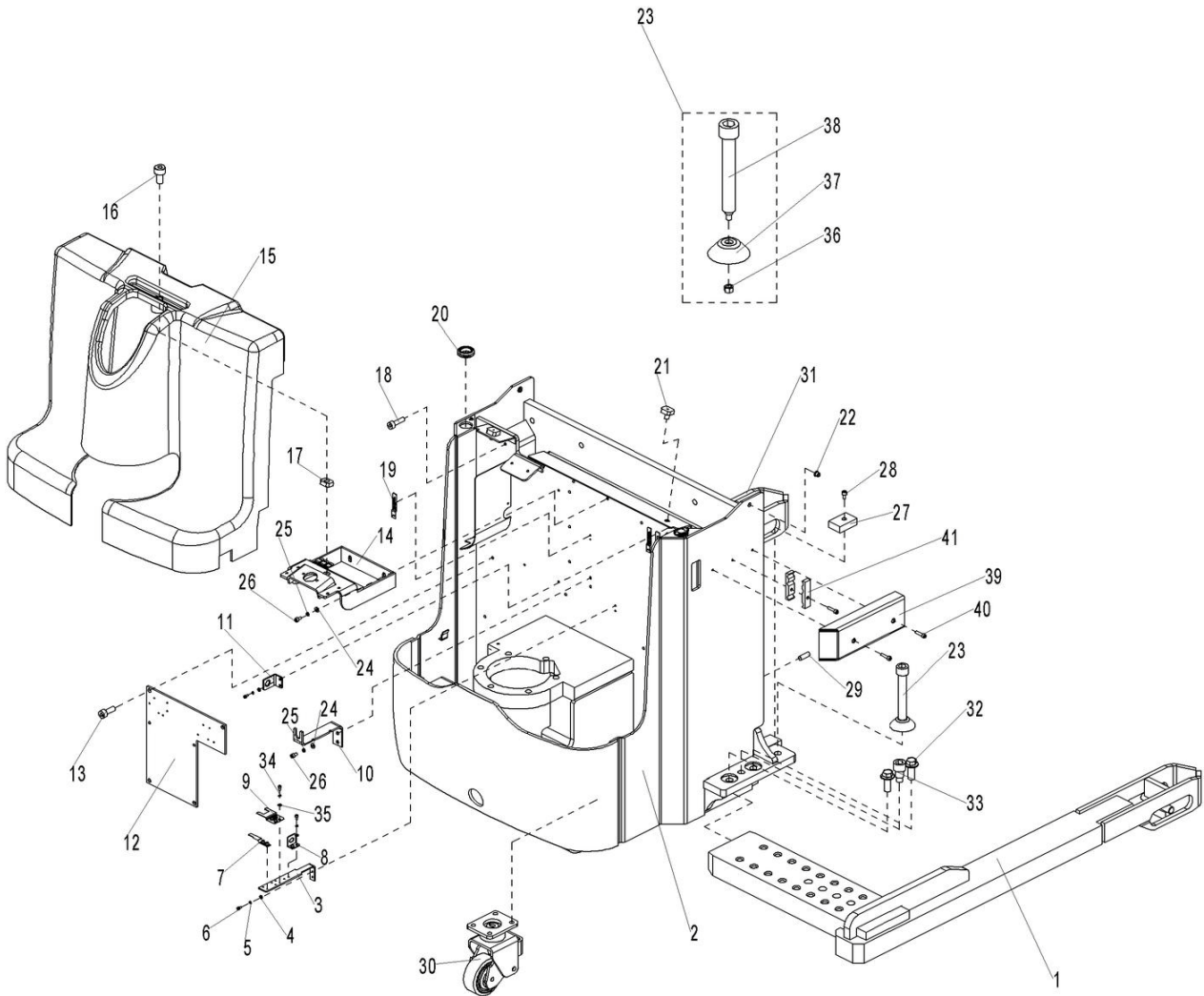


Fig. 4 Chassis assembly

No.	Art No.	Description	Qty.	Note
1	534821510002	Leg welding (Right)	1	
2	534821510000	Chassis welding	1	
3	534821520031	Mounting plate (Plug)	1	
4	910400100004	Flat washer	3	5
5	910400500004	Spring washer	3	5
6	910200200022	Screw	2	M5x12
7	921300300010	Connector base	1	
8	921300300003	Connector Fixing frame 4pins	1	
9	921300300015	Connector base	1	
10	534721520025	Fixing frame	1	
11	921300300002	Connector fixing frame 2 pins	1	
12	534821520029	Mounting plate	1	

13	910200200053	Screw	4	M8x12
14	534821510001	Mounting plate welding	1	
15	505021520003	Protective cover	1	
16	941100100006	Screw	1	M10x45
17	940400400003	Nut	1	M10
18	910200200058	Screw	2	M8x25
19	921300300005	Connector 2 pins base	6	
20	505621520036	Protective bushing	1	
21	505938520016	Damping pad	2	
22	534721520023	Sleeve	2	
23	532621510013	Supporting components	2	
24	910400100006	Flat washer	4	8
25	910400500006	Spring washer	4	8
26	910200200055	Screw	4	M8x16
27	534721520024	Damping pad	2	60x40x18
28	910200300017	Screw	2	M6x12
29	910200800042	Screw	6	M16x40
30	505616510000	Support roller assembly	2	
31	534821510003	Leg welding (Left)	1	
32	910100800006	Bolt	12	M16x40
33	532621520047	Position pin	2	
34	910400500003	Spring washer	2	4
35	910400100003	Flat washer	2	4
36	910300500004	Nut	2	M8
37	532621520030	Supporting base	2	
38	532621520029	Screw	2	
39	534821510004	Protective cover welding	1	
40	910200200039	Screw	3	M6x30
41	534821520050	Fixing plate(hose)	2	

Fig. 5 Power supply (built-in charger)

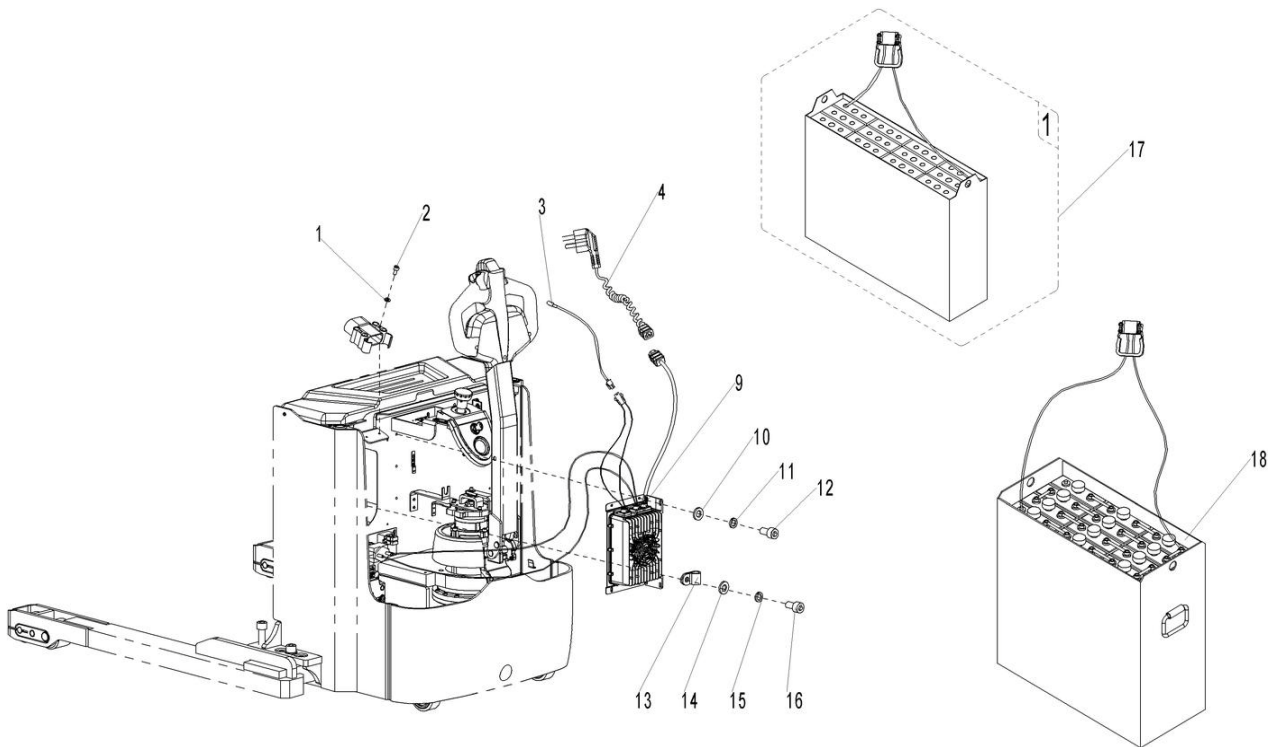


Fig. 5 Power supply (built-in charger)

No.	Art No.	Description	Qty.	Note
1	910400100005	Flat washer	2	6
2	910200200039	Screw	2	M6x30
3	922000100020	Light -750	1	
4	921500200031	Spring cord	1	US
	921500200008	Spring cord	1	Asia
	921500200005	Spring cord	1	EU
	921500200003	Spring cord	1	AUS
	921500200004	Spring cord	1	ENG
5	921000100046	Charger	1	WT24V35A
6	910400100005	Flat washer	4	6
7	910400500005	Spring washer	4	6
8	910200200033	Screw	4	M6x12
9	921300200001	Cable fixing part UC-1	4	
10	910400100003	Flat washer	4	4
11	910400500003	Spring washer	4	4
12	910200500034	Screw	4	M4x8
13	534737010000	Traction battery 24V-3VBS270	1	Weld type
14	534737010001	Traction battery 24V-3VBS270	1	Bolt type

Fig. 6 Instrument components

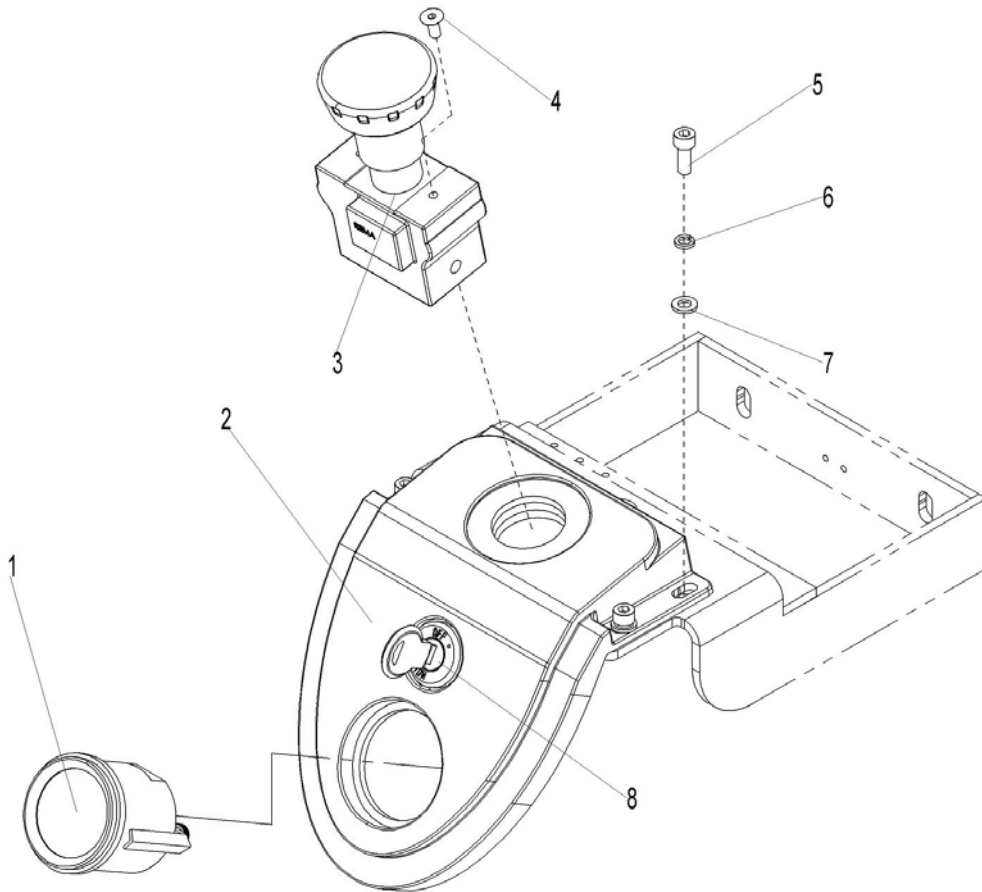


Fig. 6 Instrument components

No.	Art No.	Description	Qty.	Note
1	921100100012	Instrument	1	MDI-CAN-12V
2	504410020001	Protective cover (Instrument)	1	
3	920200100001	Emergency button	1	ZDK32-350
4	910200400011	Screw	2	M5x12
5	910200200035	Screw	4	M6x16
6	910400500005	Spring washer	4	6
7	910400100005	Flat washer	4	6
8	505634010000	Key switch	1	

Fig. 7 Battery cover assembly

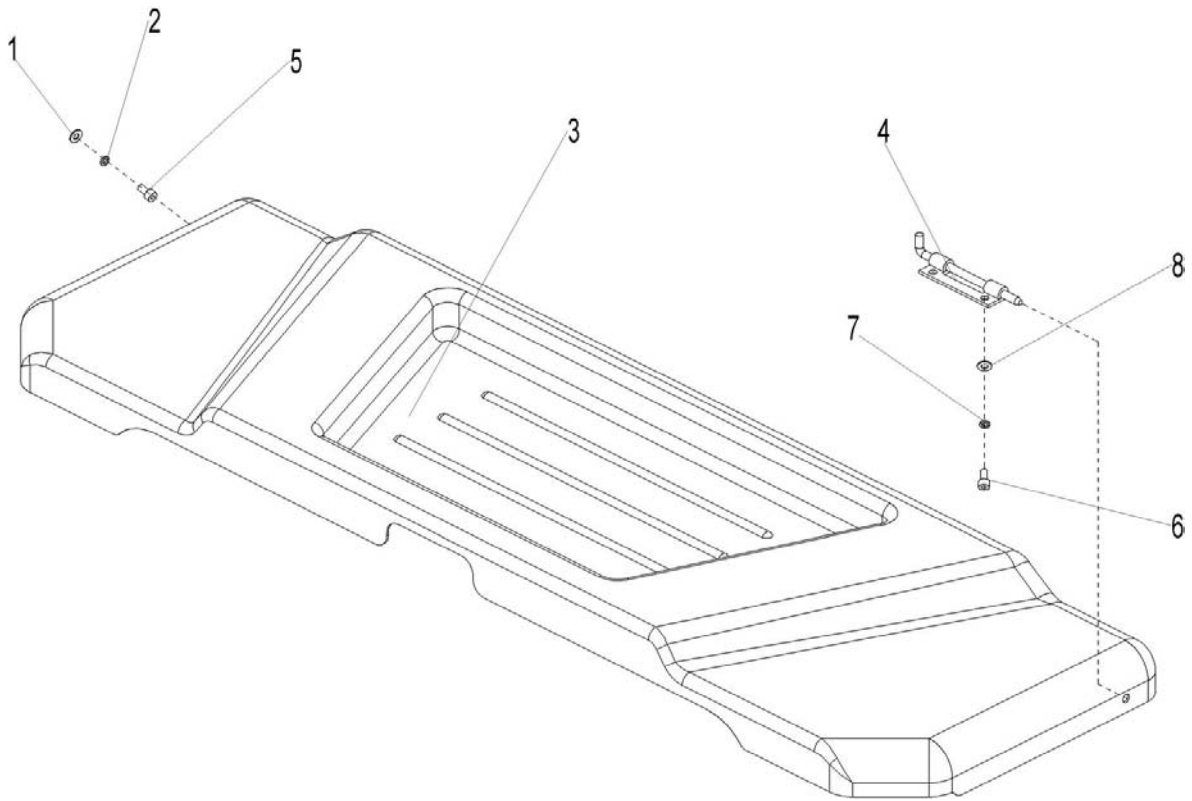


Fig. 7 Battery cover assembly

No.	Art No.	Description	Qty.	Note
1	910400100004	Flat washer	3	5
2	910400500004	Spring washer	3	5
3	534821010000	Battery cover welding	1	
4	940800900001	Pin	1	CL037
5	910200200024	Screw	1	M5x20
6	910200200013	Screw	2	M4x10
7	910400500003	Spring washer	2	4
8	910400100003	Flat washer	2	4

Fig. 8 Side roller components

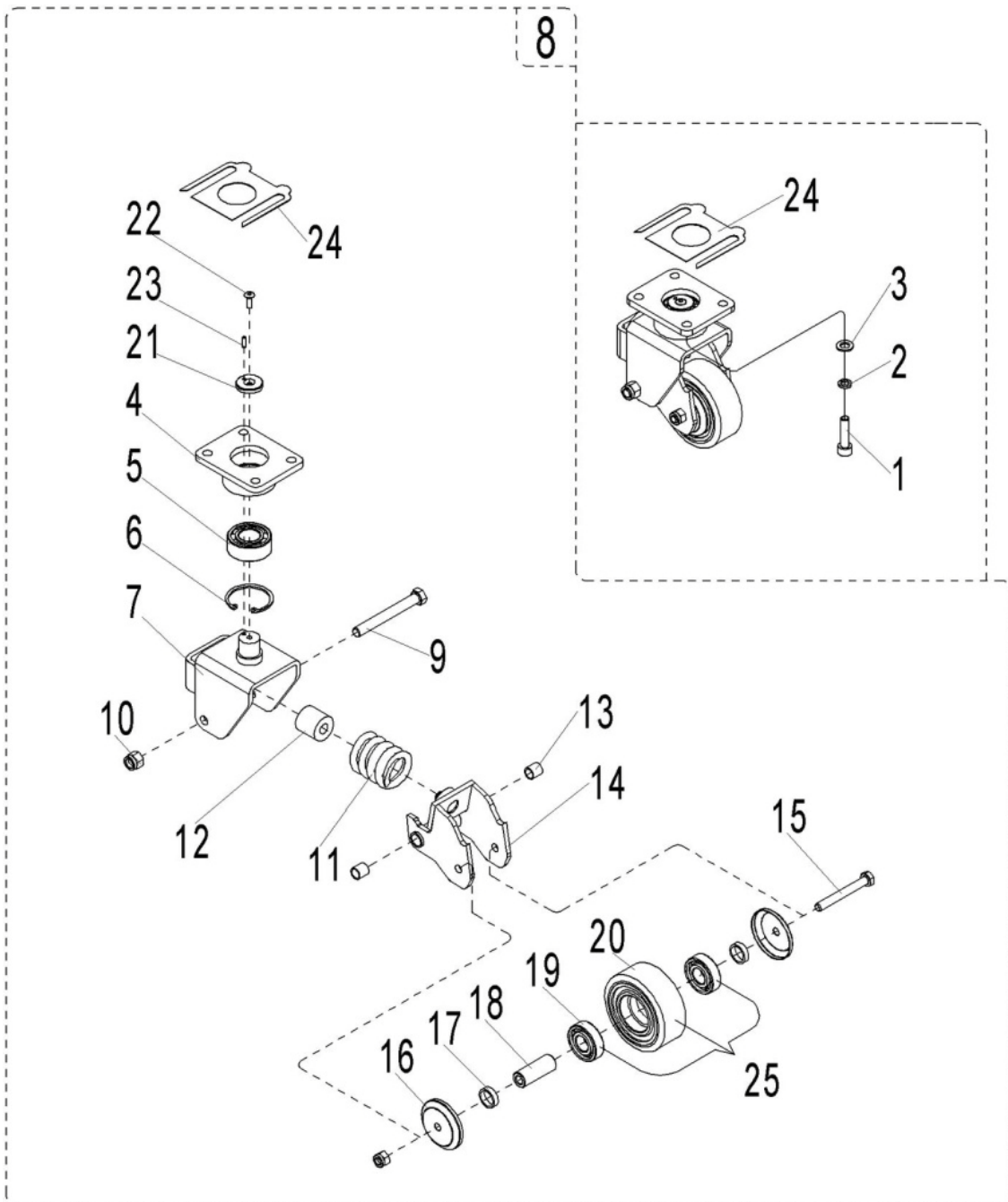


Fig. 8 Side roller components

No.	Art No.	Description	Qty.	Note
1	910200200076	Screw	8	M10x25
2	910400500007	Spring washer	8	10
3	910400100007	Flat washer	8	10
4	505616510002	Connecting plate	2	
5	910700500002	Bearing	2	3205A-2RS

6	910401400016	Circlip	2	52
7	505616510001	Wheel frame welding	2	
8	505616510000	Support roller assembly	2	
9	941100200002	Bolt	2	M12x100
10	910300500006	Nut	2	M12
11	940400500007	Spring	2	Φ43XΦ9x62
12	505616520000	PU spring	2	
13	940500100002	Bushing	4	
14	505616510003	Rotate arm	2	
15	910100100038	Bolt	2	M10x80
16	505616520011	Dust cover	4	
17	505616520012	Circlip	4	
18	505616520013	Sleeve	2	
19	910700200019	Bearing	4	6204-2RS
20	940300300018	Roller	2	
21	505616520007	Circlip	2	
22	941100300001	Screw	2	M6x14
23	910600100004	Cylindrical pin	2	4x14
24	505616520014	Adjusting washer	Several	t=0.5~2.5
25	505698510000	Wheel set components	2	

Fig. 9 Full free lift three-stage mast system

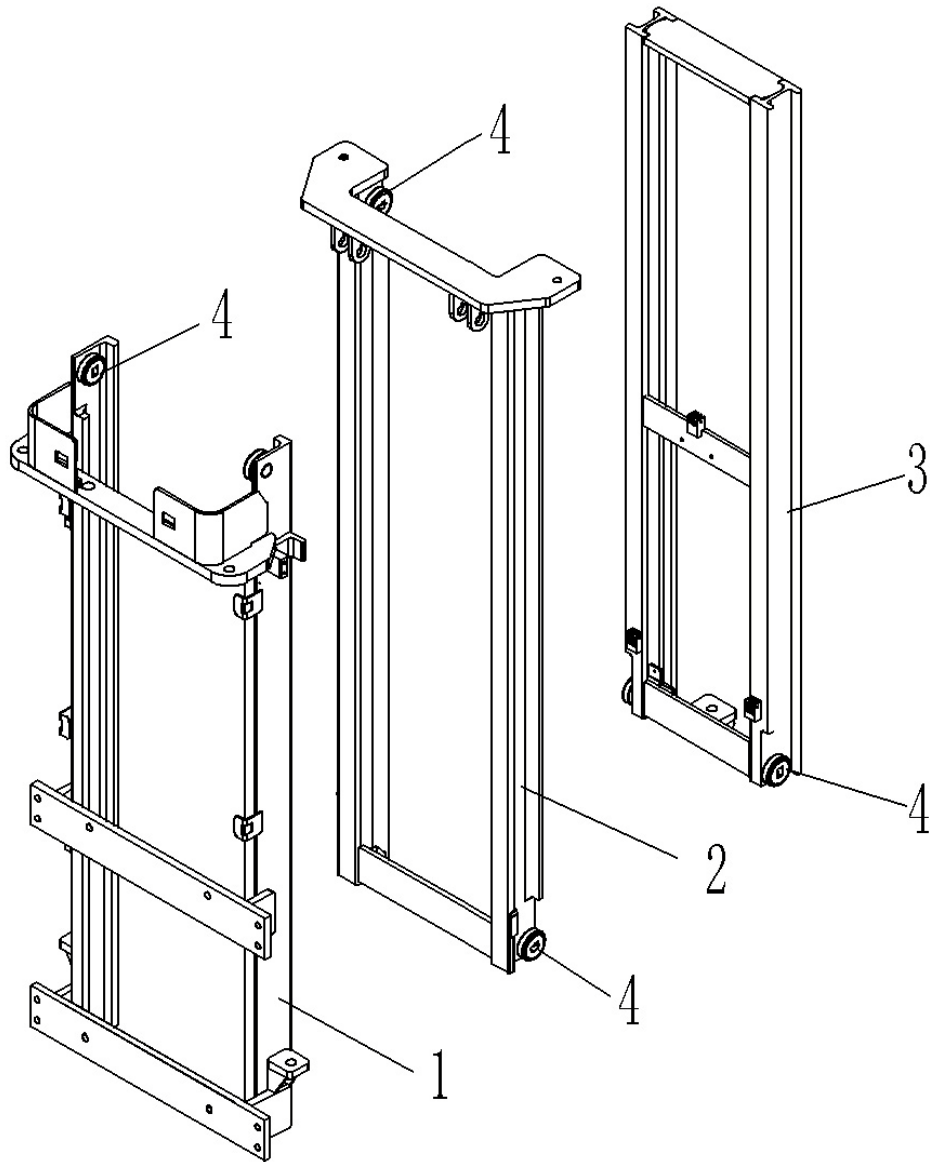


Fig. 9 Full free lift three-stage mast system

No.	Art No.	Description	Qty.	Note
1	535144510017	Outer mast welding	1	157
	535144510010	Outer mast welding	1	169
	535144510000	Outer mast welding	1	181
2	535044510026	Middle mast welding	1	157
	535044510025	Middle mast welding	1	169
	535044510024	Middle mast welding	1	181
3	535144510018	Inner mast welding	1	157
	535144510011	Inner mast welding	1	169
	535144510001	Inner mast welding	1	181
4	940200300004	Compound roller	8	

Fig. 10 Standard lift three-stage mast system

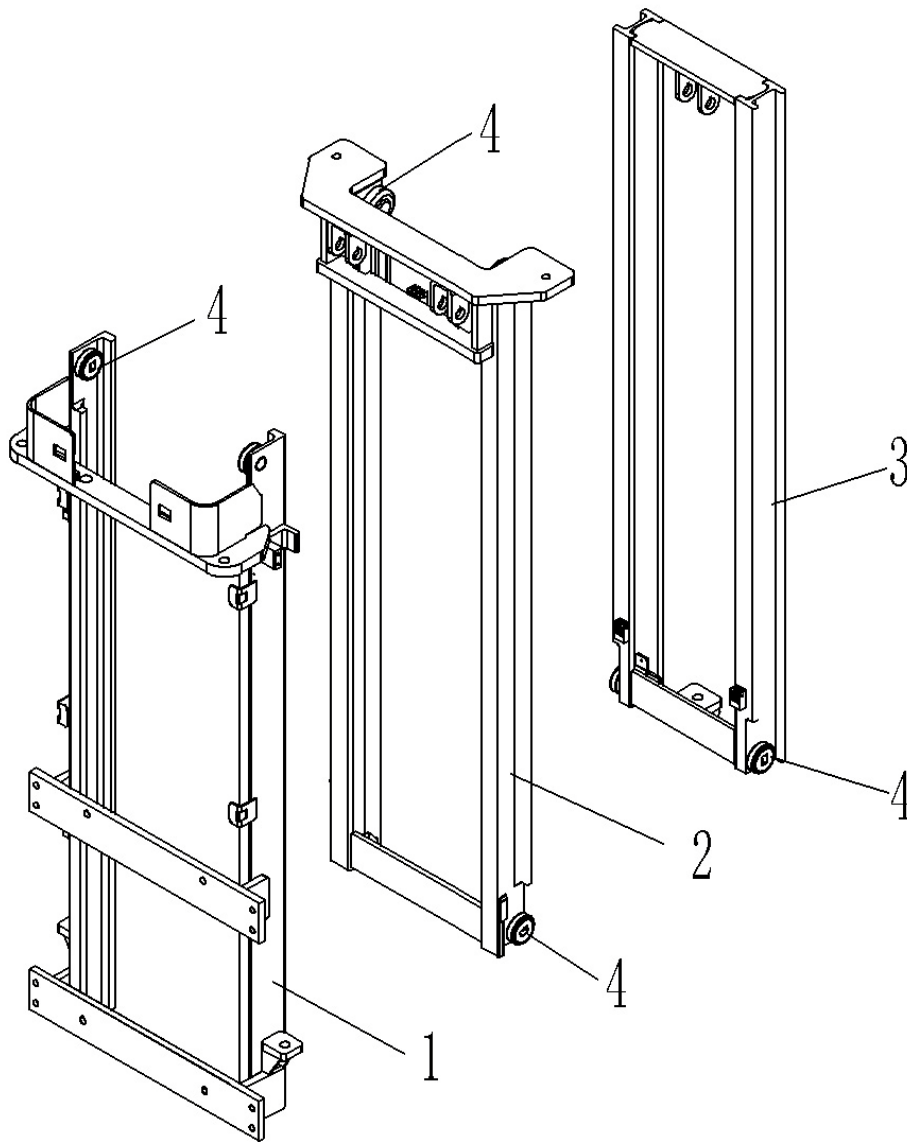


Fig. 10 Standard lift Three-stage mast system

No.	Art No.	Description	Qty.	Note
1	535045010019	Outer mast welding	1	181
	535045010020	Outer mast welding	1	169
2	535045010015	Middle mast welding	1	181
	535045010016	Middle mast welding	1	169
3	535045010017	Inner mast welding	1	181
	535045010018	Inner mast welding	1	169
4	940200300004	Compound roller	8	

Fig. 11 Full free lift two-stage mast system

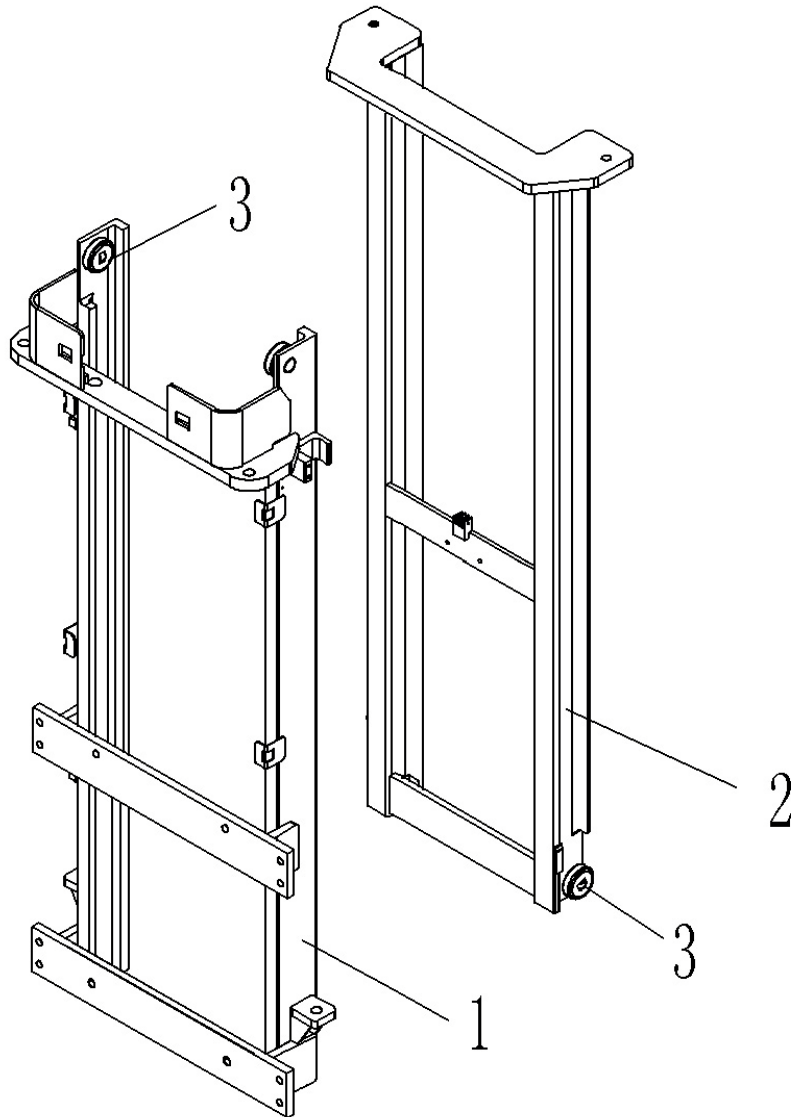


Fig. 11 Full free lift two-stage mast system

No.	Art No.	Description	Qty.	Note
1	535043510037	Outer mast welding	1	141
	535043510038	Outer mast welding	1	126
	535043510036	Outer mast welding	1	114
2	535043510030	Inner mast welding	1	141
	535043510031	Inner mast welding	1	126
	535043510032	Inner mast welding	1	114
3	940200300004	Compound roller	4	

Fig. 12 Standard lift two-stage mast system

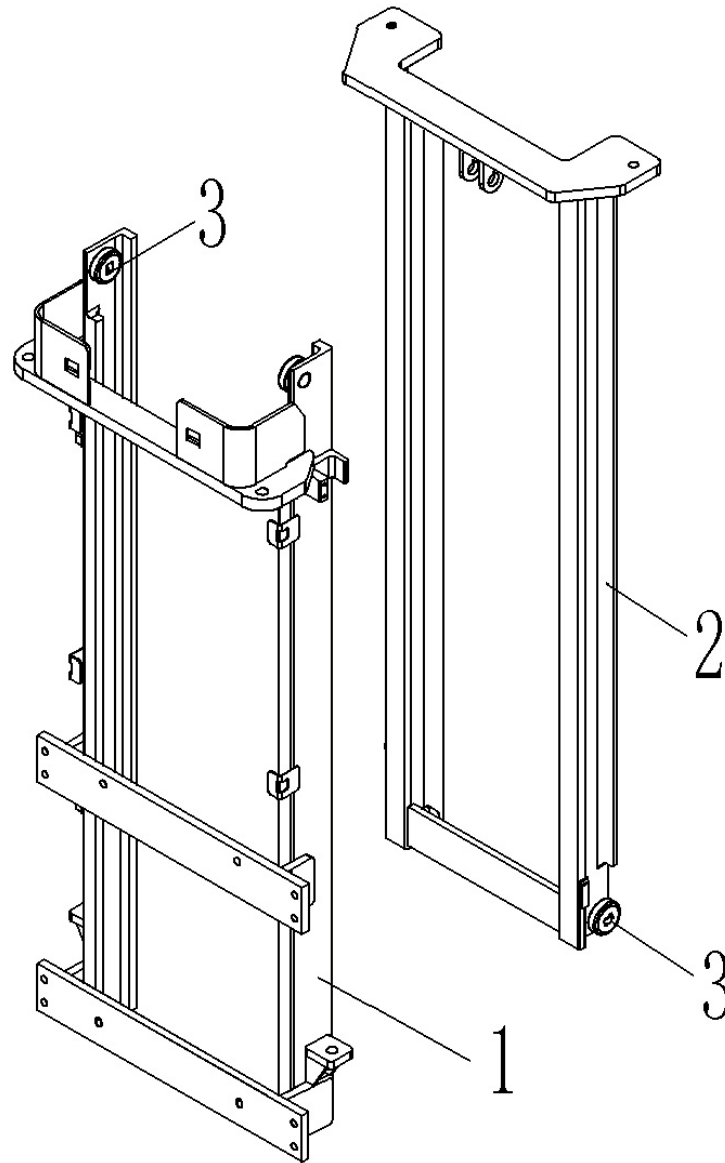


Fig. 12 Standard lift two-stage mast system

No.	Art No.	Description	Qty.	Note
1	535144010000	Outer mast welding	1	141
	535144010006	Outer mast welding	1	126
	535144010010	Outer mast welding	1	114
2	535044010015	Inner mast welding	1	141
	535044010016	Inner mast welding	1	126
	535044010017	Inner mast welding	1	114
3	940200300004	Compound roller	4	

Fig. 13 Full free lift three-stage mast chain system (Side shift)

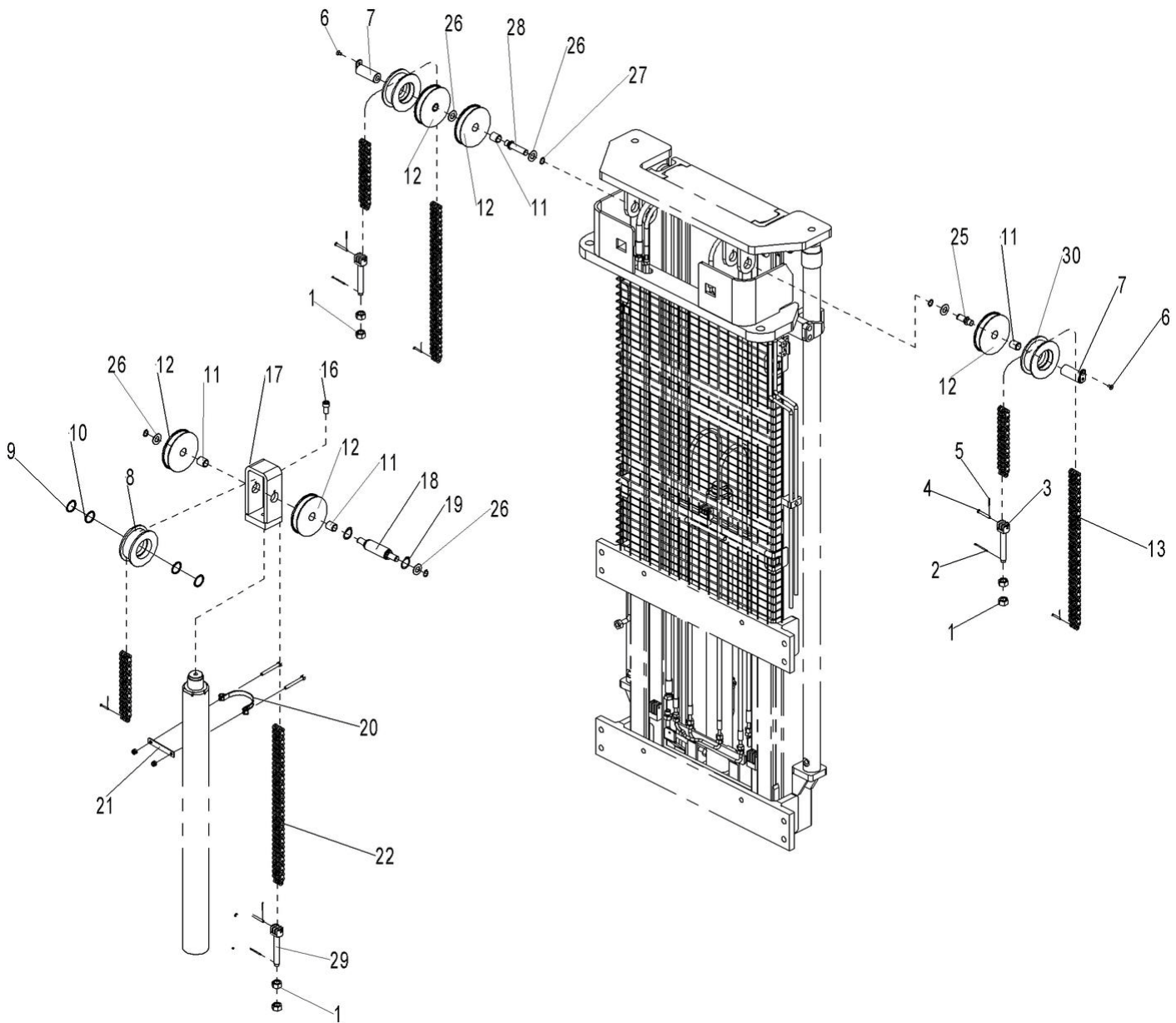


Fig. 13 Full free lift three-stage mast chain system (Side shift)

No.	Art No.	Description	Qty.	Note
1	910300200008	Nut	6	M16x1.5
2	910600600032	Split pin	3	3.2x40
3	941300100008	Chain bolt	2	M16x1.5 x130
4	941100800006	Short axle	6	B6x45
5	910600600015	Split pin	6	2x20

6	910200400016	Screw	2	M6x12
7	533544510006	Plate with axle	2	
8	940200500011	Pulley Bearing	1	
9	940600500008	Washer	6	Thickness 2
10	940600500009	Washer	6	Thickness 4
11	532644520028	Sleeve	1	
12	532644520032	Pulley	4	
13	535044510020	Chain LH1066-113	2	157
	534145010005	Chain LH1066-123	2	169
	535044510016	Chain LH1066-129	2	181
14	910200200097	Screw	1	M12x25
15	535043510034	Pulley base	1	
16	535144520002	Wheel axle	1	
17	910401300016	Circlip	2	30
18	940800600002	Hoop components	1	Centre distance 96
19	534744520014	Washer	1	
20	535044510018	Chain LH1266-63	1	157
	535043510022	Chain LH1266-67	1	169
	535044510017	Chain LH1266-69	1	181
21	534844520003	Linking axle	1	
22	534844520008	Washer	4	Thickness 2
23	910401300007	Circlip	4	16
24	534844520004	Linking axle	1	
25	941300100018	Chain bolt	1	M16x1.5x130
26	940200500010	Pulley Bearing	2	

Fig. 14 Full free lift Three-stage mast chain system (Regular)

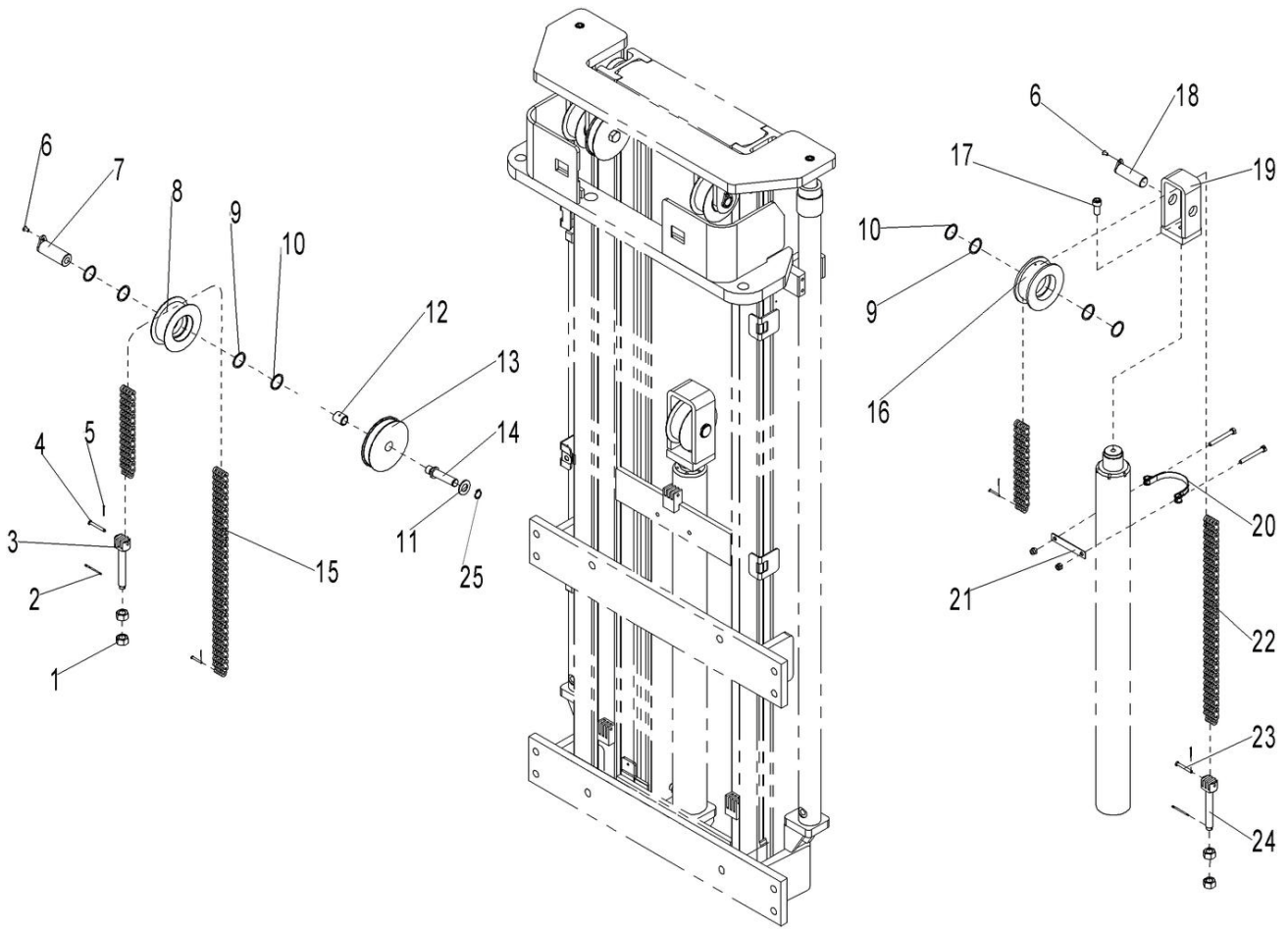


Fig. 14 Full free lift Three-stage mast chain system (Regular)

No.	Art No.	Description	Qty.	Note
1	910300200008	Nut	6	M16x1.5
2	910600600032	Split pin	3	3.2x40
3	941300100008	Chain bolt	2	M16x1.5x130
4	941100800006	Short axle	4	B6x45
5	910600600015	Split pin	6	2x20
6	910200400016	Screw	3	M6x12
7	533544510006	Plate with axle	2	
8	940200500010	Pulley Bearing	2	
9	940600500008	Washer	6	Thickness 2
10	940600500009	Washer	6	Thickness 4

11	534844520008	Washer	1	
12	532644520028	Sleeve	1	
13	532644520032	Pulley	1	
14	534844520003	Linking axle	1	
15	535044510016	Chain LH1066-129	2	181
	534145010005	Chain LH1066-123	2	169
	535044510020	Chain LH1066-113	2	157
16	940200500011	Pulley Bearing	1	
17	910200200097	Screw	1	M12x25
18	535045010008	Plate with axle	1	
19	535043510034	Pulley base	1	
20	940800600002	Hoop components	1	Centre distance 96
21	534744520014	Washer	1	
22	535044510018	Chain LH1266-63	1	157
	535043510022	Chain LH1266-67	1	169
	535044510017	Chain LH1266-69	1	181
23	941100800009	Short axle	2	B8x50
24	941300100018	Chain bolt	1	M16x1.5x130
25	910401300007	Circlip	1	16

Fig. 15 Standard lift three-stage mast chain system

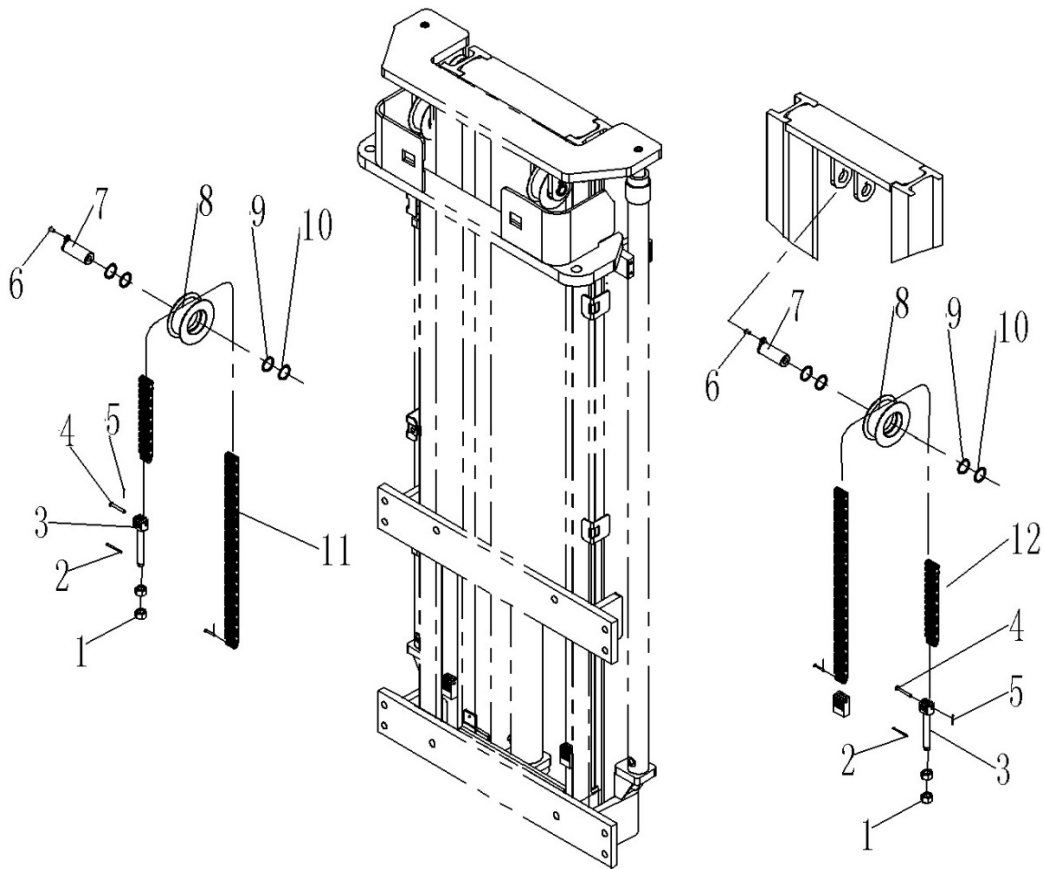


Fig. 15 Standard lift three-stage mast chain system

No.	Art No.	Description	Qty.	Note
1	910300200008	Nut	6	M16x1.5
2	910600600032	Split pin	3	3.2x40
3	941300100018	Chain bolt	3	M16x1.5x130
4	941100800009	Short axle	6	B8x50
5	910600600015	Split pin	6	2x20
6	910200400016	Screw	3	M6x12
7	535045010008	Plate with axle	3	
8	940200500011	Pulley Bearing	3	
9	940600500008	Washer	6	Thickness 2
10	940600500009	Washer	6	Thickness 4
11	535045010010	Chain LH1266-107	2	181
	535044010010	Chain LH1266-103	2	169
12	535044010010	Chain LH1266-103	1	181
	535044010011	Chain LH1266-97	1	169

Fig. 16 Full free lift two-stage mast chain system

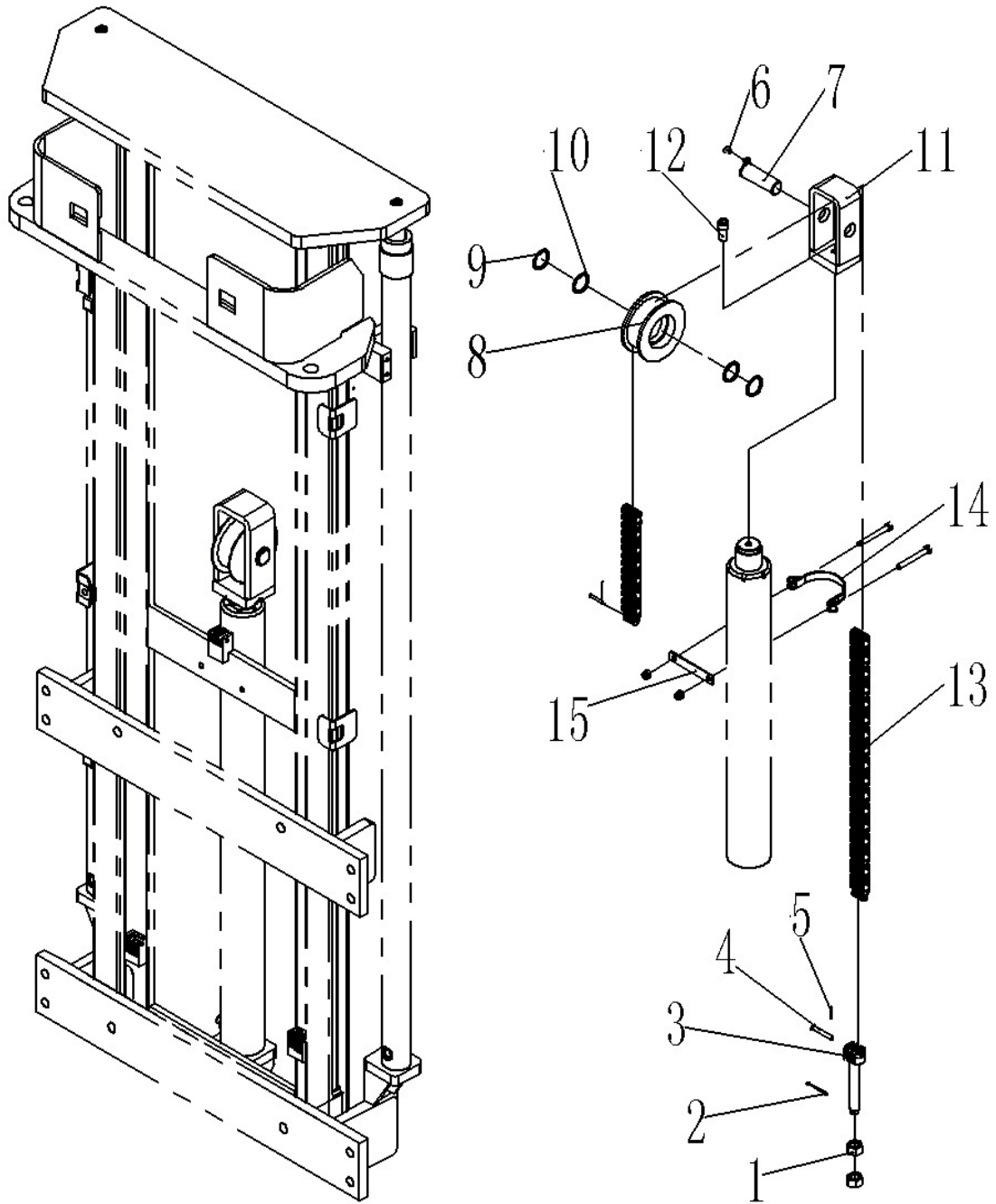


Fig. 16 Full free lift two-stage mast chain system

No.	Art No.	Description	Qty.	Note
1	910300200008	Nut	2	M16x1.5
2	910600600032	Split pin	1	3.2x40
3	941300100018	Chain bolt	1	M16x1.5x130
4	941100800009	Short axle	2	B8x50
5	910600600015	Split pin	2	2x20
6	910200400016	Screw	1	M6x12
7	535045010008	Plate with axle	1	
8	940200500011	Pulley Bearing	1	
9	940600500008	Washer	2	Thickness 2
10	940600500009	Washer	2	Thickness 4
11	535043510034	Pulley base	1	
12	910200200097	Screw	1	M12x25
13	535043510022	Chain LH1266-67	1	141
	535043510023	Chain LH1266-61	1	126
	535043510024	Chain LH1266-57	1	114
	535043510025	Chain LH1266-55	1	106
14	940800600002	Hoop components	1	Centre distance 96
15	534744520014	Washer	1	

Fig. 17 Standard lift two-stage mast chain system (Side shift)

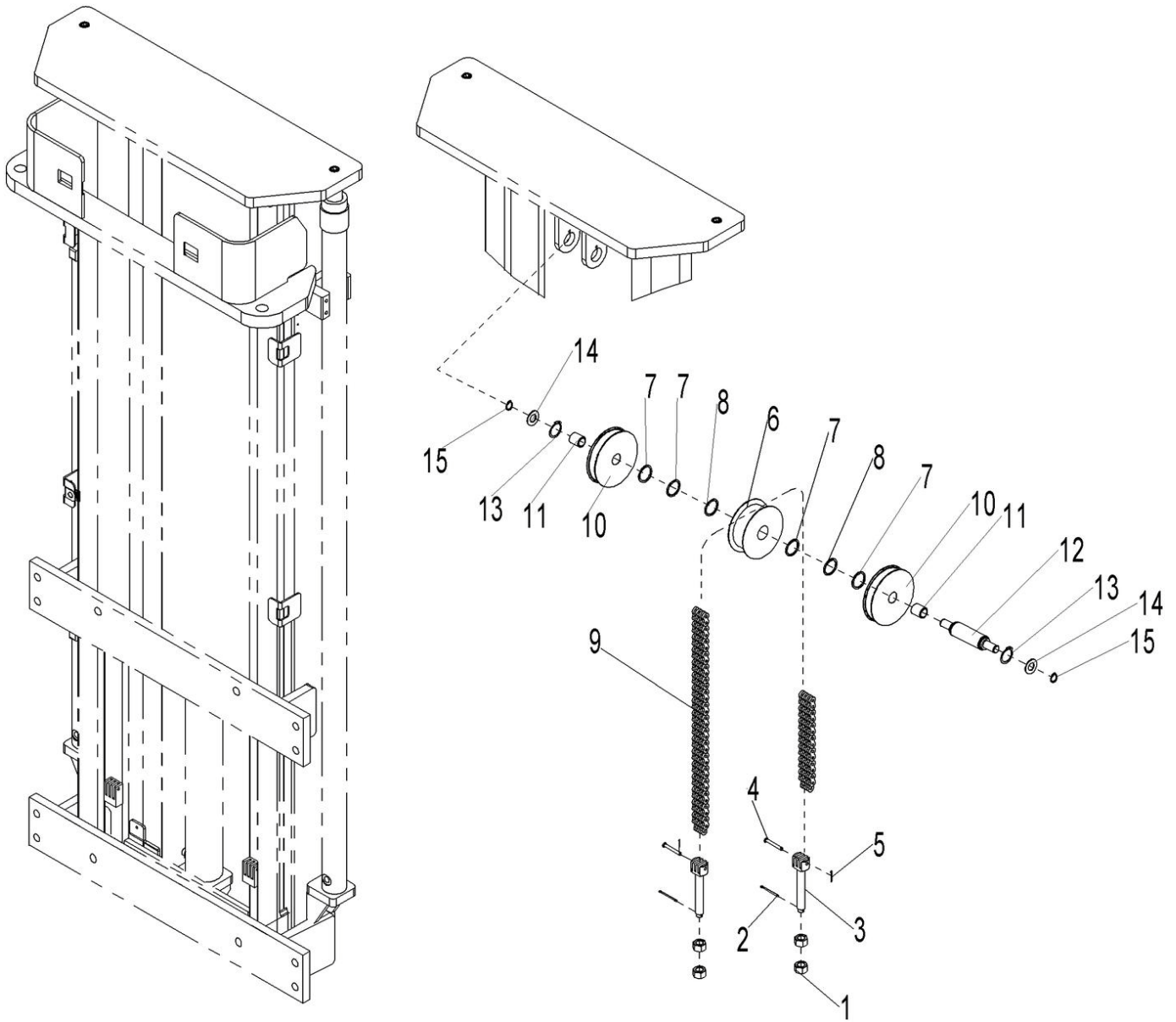


Fig. 17 Standard lift two-stage mast chain system (Side shift)

No.	Art No.	Description	Qty.	Note
1	910300200008	Nut	4	M16x1.5
2	910600600032	Split pin	2	3.2x40
3	941300100018	Chain bolt	2	M16x1.5x130
4	941100800009	Short axle	2	B8x50
5	910600600015	Split pin	2	2x20
6	940200500011	Pulley Bearing	1	
7	940600500008	Washer	4	Thickness 2
8	940600500009	Washer	2	Thickness 4
9	535045010009	Chain LH1266-105	1	114
	535144010014	Chain LH1266-113	1	126
	535144010015	Chain LH1266-123	1	141
10	532644520032	Pulley	2	
11	532644520028	Sleeve	2	
12	535144520002	Wheel axle	1	
13	910401300016	Circlip	2	30
14	534844520008	Washer	2	Thickness 2
15	910401300007	Circlip	2	16

Fig. 18 Standard lift two-stage mast chain system (Regular)

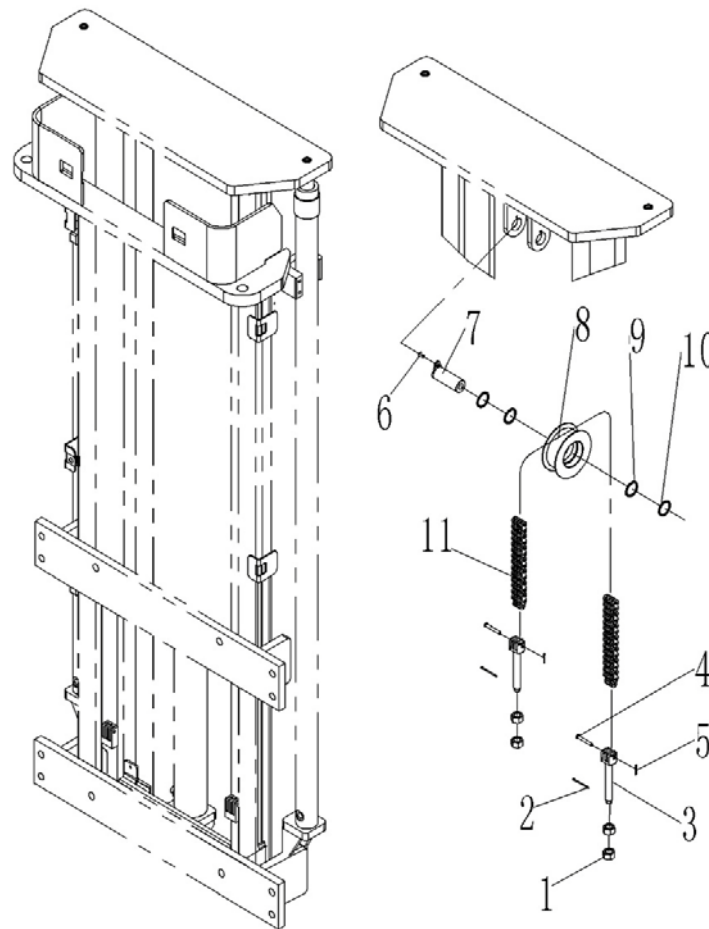


Fig. 18 Standard lift two-stage mast chain system (Regular)

No.	Art No.	Description	Qty.	Note
1	910300200008	Nut	4	M16x1.5
2	910600600032	Split pin	2	3.2x40
3	941300100018	Chain bolt	2	M16x1.5x130
4	941100800009	Short axle	2	B8x50
5	910600600015	Split pin	2	2x20
6	910200400016	Screw	1	M6x12
7	535045010008	Plate with axle	1	
8	940200500011	Pulley Bearing	1	
9	940600500008	Washer	2	Thickness 2
10	940600500009	Washer	2	Thickness 4
11	535045010009	Chain LH1266-105	1	114
	535144010014	Chain LH1266-113	1	126
	535144010015	Chain LH1266-123	1	141

Fig. 19 Other parts of mast

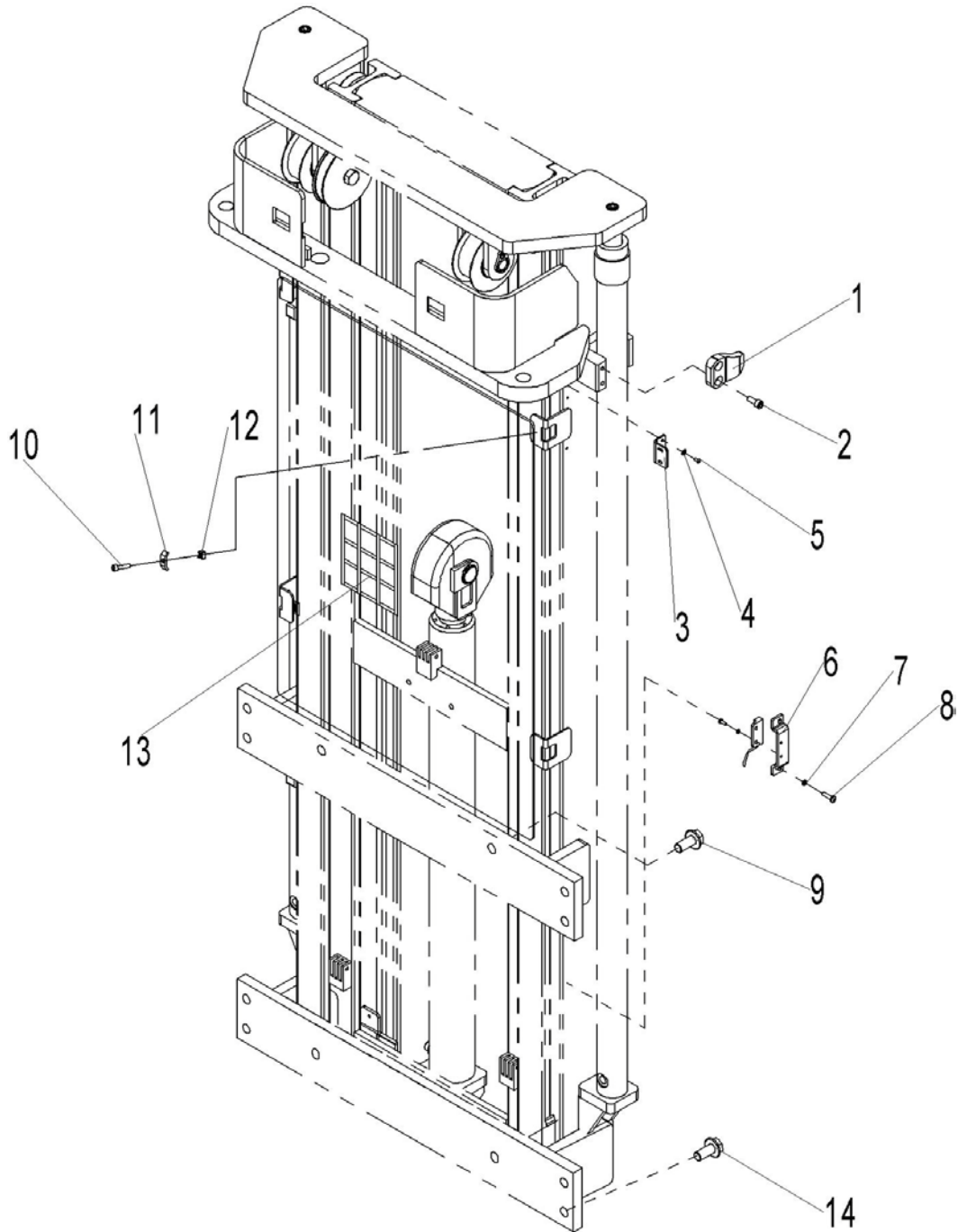


Fig. 19 Other parts of mast

No.	Art No.	Description	Qty.	Note
1	275044020076	Metal plate	2	
2	910200200057	Screw	4	M8x20
3	534744520036	Fixing plate	1	
4	910400100003	Flat washer	2	4
5	910200300005	Screw	2	M4x8
6	534744520059	Protective cover	2	
7	910400500003	Spring washer	4	4
8	910200200014	Screw	4	M4x12
9	910100800005	Bolt	4	M16x35
10	910200200038	Screw	4 or 6	M6x25
11	320443020321	Metal plate	4 or 6	
12	940801500001	Nut	4 or 6	M6
13	535044020023	Protective mesh	1	141
	535044020021	Protective mesh	1	126/181
	535044020022	Protective mesh	1	114/169
	535044020024	Protective mesh	1	106/157
14	910100800006	Bolt	8	M16x40

Fig. 20 Full free lift three-stage mast hydraulic system (Side shift)

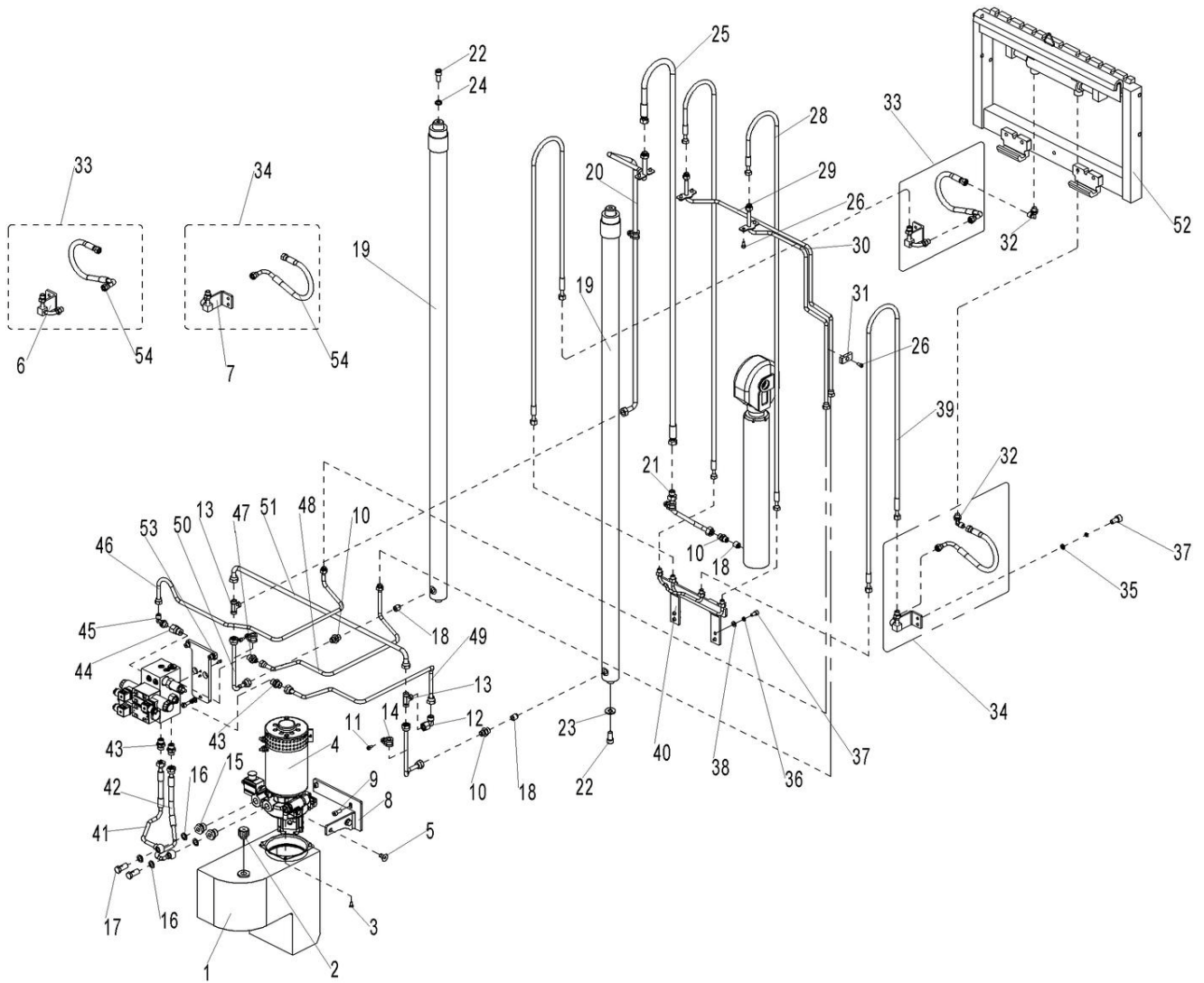


Fig. 20 Full free lift three-stage mast hydraulic system (Side shift)

No.	Art No.	Description	Qty.	Note
1	534819010000	Oil tank	1	
2	951100200001	Vent plug	1	M18x1.5
3	910100300009	Bolt	4	M6x12
4	950900100015	Hydraulic power unit	1	24V3.2KW4.0cc
5	910200400035	Joint	2	M10x20
6	535144510024	Joint welding (left)	1	
7	535144510025	Joint welding (right)	1	
8	534824020001	Fixing plate	1	
9	910200200057	Screw	3	M8x20

10	950400400003	Joint	3	
11	910200200045	Screw	5	M6x6
12	950400200003	Joint	1	
13	950400700002	Joint	2	
14	951000100001	Clamp YGERubber	5	12
15	950401200004	Joint	1	
16	910800900003	Combination washer	4	14
17	911300300001	Hinge bolt	2	G1/4x28.5
18	950600300001	Safety valve	3	M16x1.5
19	535044510002	Cylinder	2	4000
	535044510001	Cylinder	2	4300
	535044510000	Cylinder	2	4600
20	535144510019	Hydraulic pipe welding	1	
	535144510013	Hydraulic pipe welding	1	
	535144510002	Hydraulic pipe welding	1	
21	535144510007	Hydraulic pipe welding	1	
22	910200200097	Screw	4	M12x25
23	534744520015	Washer	2	
24	910400500008	Spring washer	2	12
25	535044510019	Hydraulic hose assembly	1	4000
	532644520143	Hydraulic hose assembly	1	4300
	532644520144	Hydraulic hose assembly	1	4600
26	910200200033	Screw	7	M6x12
27	535043510012	Cylinder (M)	1	4000
	534744510013	Cylinder (M)	1	4300
	534744510012	Cylinder (M)	1	4600
28	535144510022	Hydraulic hose assembly	2	4000
	535144510012	Hydraulic hose assembly	2	4300
	534844510005	Hydraulic hose assembly	2	4600
29	535144510021	Hydraulic pipe welding	1	
	535144510015	Hydraulic pipe welding	1	
	535144510003	Hydraulic pipe welding	1	
30	535144510020	Hydraulic pipe welding	1	
	535144510014	Hydraulic pipe welding	1	
	535144510004	Hydraulic pipe welding	1	
31	534844520007	Metal plate	1	

32	950401100002	Joint	2	
33	535198510001	hydraulic pipe (left)	1	
34	535198510002	hydraulic pipe (right)	1	
35	910400100005	Flat washer	4	6
36	910400500005	Spring washer	8	6
37	910200200035	Screw	4	M6x16
38	910400200002	Washer	4	6
39	535144510023	Hydraulic hose assembly	2	4000
	535144510016	Hydraulic hose assembly	2	4300
	535144510009	Hydraulic hose assembly	2	4600
40	535144510008	Hydraulic pipe welding	1	
41	534824010000	Hydraulic hose assembly	1	
42	534824010001	Hydraulic hose assembly	1	
43	950400300007	Joint	3	
44	950401200003	Joint	1	
45	950401100002	Joint	1	
46	535124010000	Hydraulic pipe welding	1	
47	950400300004	Joint	1	
48	535124010001	Hydraulic pipe welding	1	
49	535124010002	Hydraulic pipe welding	1	
50	535024010002	Hydraulic pipe welding	2	
51	535024010000	Hydraulic pipe welding	1	
52	940100200001	Side shift	1	2000kg
53	910200200021	Screw	2	M5x10
54	534844010014	Hydraulic pipe	2	

Fig. 21 Full free lift three-stage mast hydraulic system (Regular)

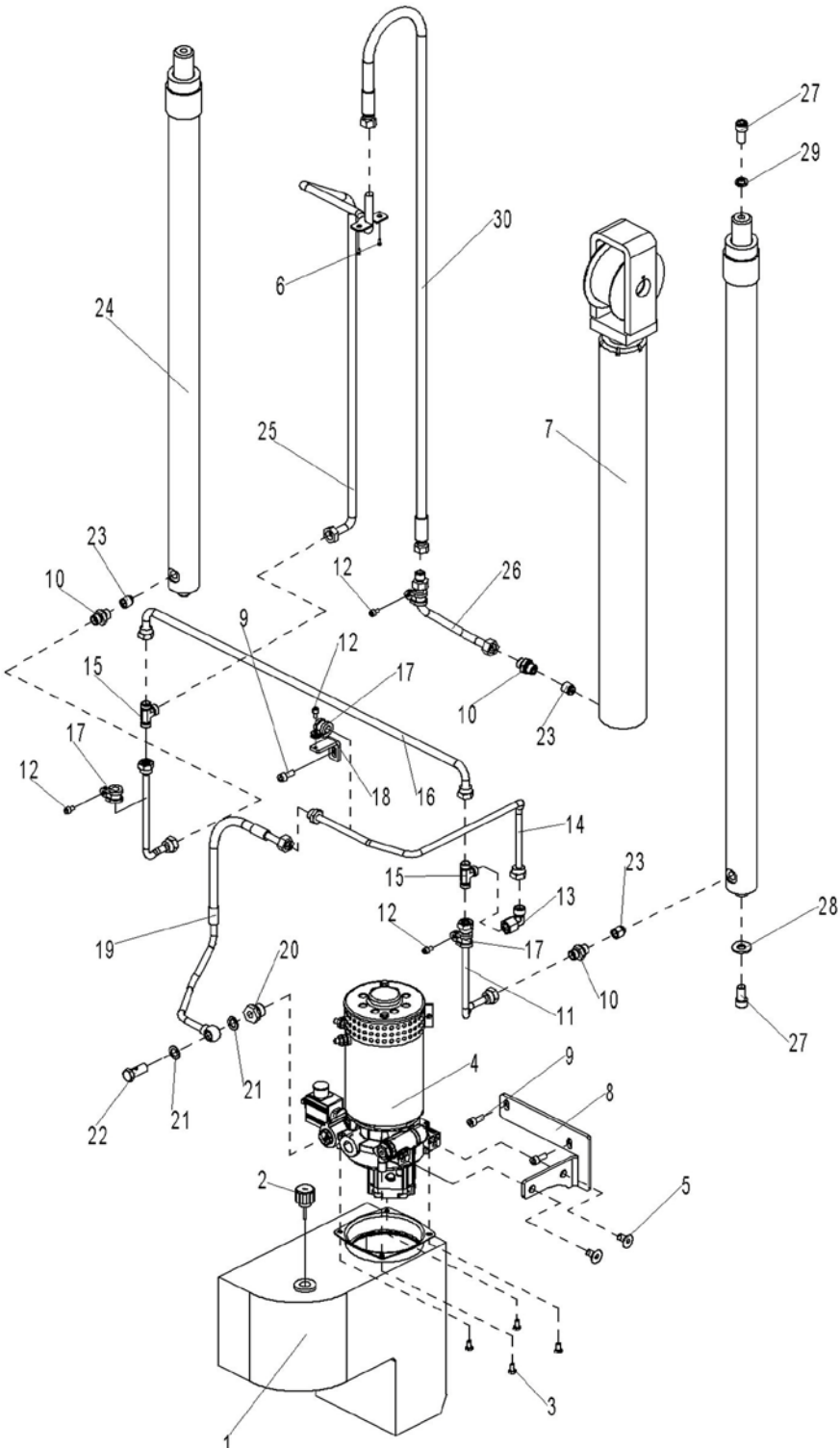


Fig. 21 Full free lift three-stage mast hydraulic system (Regular)

No.	Art No.	Description	Qty.	Note
1	534819010000	Oil tank	1	

2	951100200001	Vent plug	1	M18x1.5
3	910100300009	Bolt	4	M6x12
4	950900100015	Hydraulic power unit	1	24V3.2KW4.0cc
5	910200400035	Joint	2	M10x20
6	910200200033	Screw	2	M6x12
7	535043510012	Cylinder (M)	1	4000
	534744510013	Cylinder (M)	1	4300
	534744510012	Cylinder (M)	1	4600
8	534824020001	Fixing plate	1	
9	910200200057	Screw	3	M8x20
10	950400400003	Joint	3	
11	535024010002	Hydraulic pipe welding	2	
12	910200200045	Screw	5	M6x6
13	950400200003	Joint	1	
14	535124010004	Hydraulic pipe welding	1	
15	950400700002	Joint	2	
16	535024010000	Linking steel pipe	1	
17	951000100001	Clamp YGE rubber	5	12
18	534824020002	Fixing plate	1	
19	534824010005	Hydraulic hose assembly	1	
20	950401200004	Joint	1	
21	910800900003	Combination washer	2	14
22	911300300001	Hinge bolt	1	G1/4x28.5
23	950600300001	Safety valve	3	M16x1.5
24	535044510002	Cylinder	2	4000
	535044510001	Cylinder	2	4300
	535044510000	Cylinder	2	4600
25	535144510019	Hydraulic pipe welding	1	4000
	535144510013	Hydraulic pipe welding	1	4300
	535144510002	Hydraulic pipe welding	1	4600
26	534844510002	Hydraulic pipe welding	1	
27	910200200097	Screw	4	M12x25
28	534744520015	Washer	2	
29	910400500008	Spring washer	2	12
30	535044510019	Hydraulic hose assembly	1	
	532644520143	Hydraulic hose assembly	1	
	532644520144	Hydraulic hose assembly	1	

Fig. 22 Standard lift three-stage mast hydraulic system

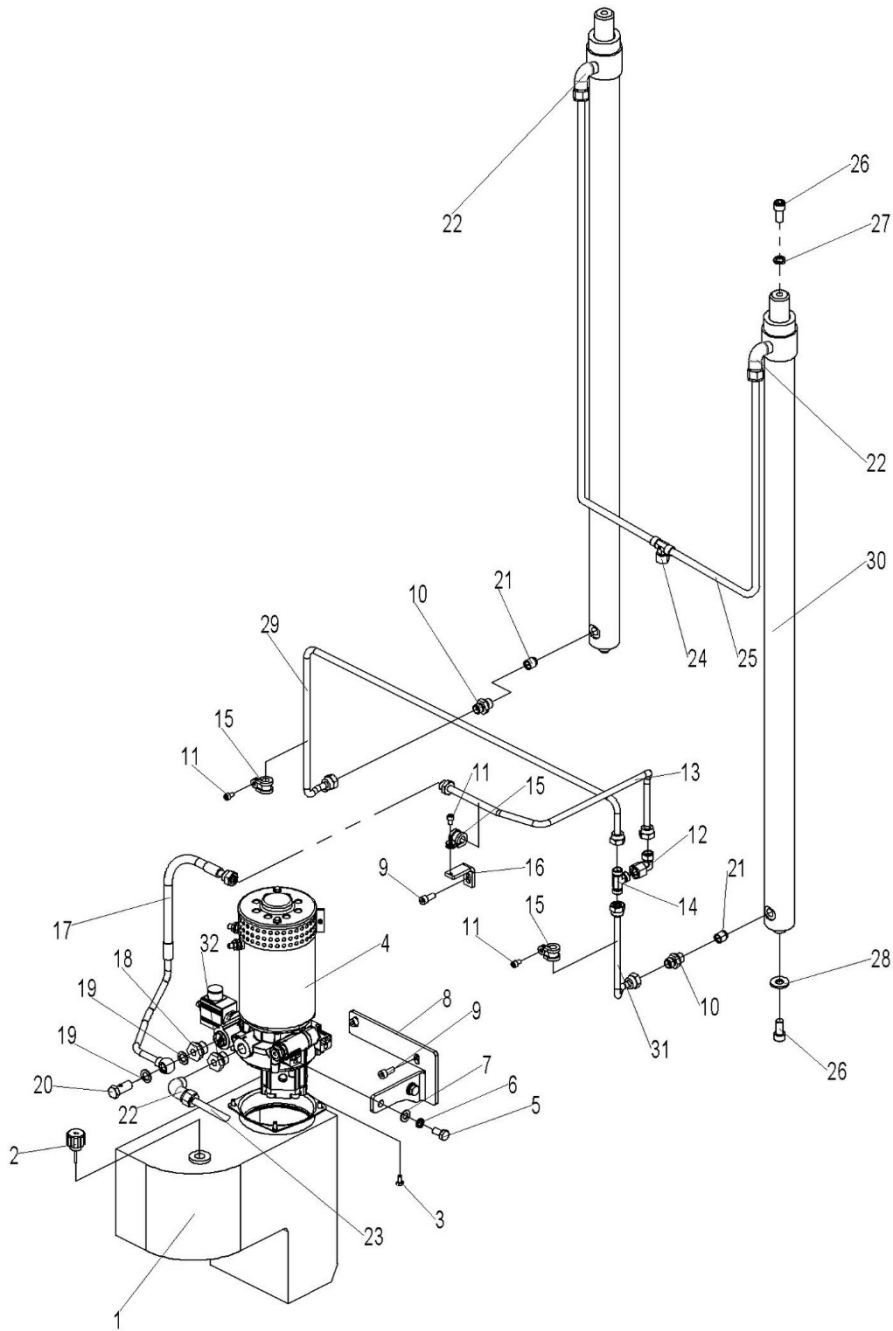


Fig. 22 Standard lift three-stage mast hydraulic system

No.	Art No.	Description	Qty.	Note
1	534819010000	Oil tank	1	
2	951100200001	Vent plug	1	M18x1.5
3	910100300009	Bolt	4	M6x12
4	950900100015	Hydraulic power unit	1	24V3.2KW4.0cc

5	910100300035	Bolt	2	M10x20
6	910400500007	Spring washer	2	10
7	910400100007	Flat washer	2	10
8	534824020001	Fixing plate	1	
9	910200200057	Screw	3	M8x20
10	950400400003	Joint	3	
11	910200200045	Screw	5	M6x6
12	950400200003	Joint	1	
13	535124010004	Hydraulic pipe welding	1	
14	950400700002	Joint	1	
15	951000100001	Clamp YGE rubber	5	12
16	534824020002	Fixing plate	1	
17	534824010005	Hydraulic hose assembly	1	
18	950401200004	Joint	1	
19	910800900003	Combination washer	1	14
20	911300300001	Hinge bolt	1	G1/4x32
21	950600300001	Safety valve	3	M16x1.5
22	950500100001	Joint	3	
23	535024010003	Oil return pipe	1	
24	950500200001	Joint	1	
25	535045020028	Oil return pipe	2	
26	910200200097	Screw	4	M12x25
27	910400500008	Spring washer	2	12
28	534744520015	Washer	2	
29	535124010003	Hydraulic pipe welding	1	
30	535045010001	Cylinder	2	169
	535045010000	Cylinder	2	181
31	535024010002	Hydraulic pipe welding	1	
32	534824020003	Joint	1	

Fig. 23 Full free lift two-stage mast hydraulic system

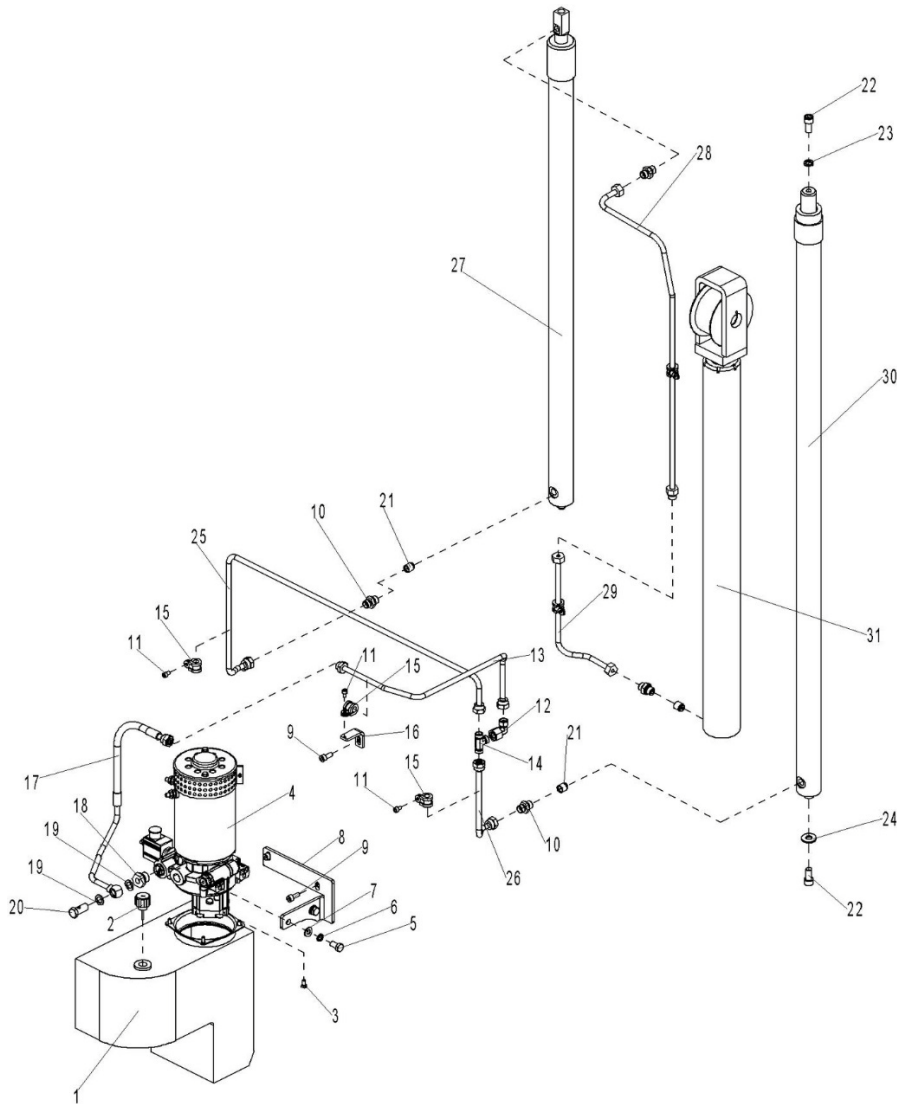


Fig. 23 Full free lift two-stage mast hydraulic system

No.	Art No.	Description	Qty.	Note
1	534819010000	Oil tank	1	
2	951100200001	Vent plug	1	M18x1.5
3	910100300009	Bolt	4	M6x12
4	950900100015	Hydraulic power unit	1	24V3.2KW4.0cc
5	910100300035	Bolt	2	M10x20
6	910400500007	Spring washer	2	10
7	910400100007	Flat washer	2	10
8	534824020001	Fixing plate	1	
9	910200200057	Screw	3	M8x20
10	950400400003	Joint	3	

11	910200200045	Screw	5	M6x6
12	950400200003	Joint	1	
13	535124010004	Hydraulic pipe welding	1	
14	950400700002	Joint	1	
15	951000100001	Clamp YGE rubber	5	12
16	534824020002	Fixing plate	1	
17	534824010005	Hydraulic hose assembly	1	
18	950401200004	Joint	1	
19	910800900003	Combination washer	1	14
20	911300300001	Hinge bolt	1	G1/4x32
21	950600300001	Safety valve	3	M16x1.5
22	910200200097	Screw	4	M12x25
23	910400500008	Spring washer	2	12
24	534744520015	Washer	2	
25	535124010003	Hydraulic pipe welding	1	
26	535024010002	Hydraulic pipe welding	1	
27	535043510003	Cylinder (L)	1	106
	535043510002	Cylinder (L)	1	114
	535043510001	Cylinder (L)	1	126
	535043510000	Cylinder (L)	1	141
28	535043510035	Hydraulic pipe welding	1	
29	535043510011	Hydraulic pipe welding	1	106
	535043510010	Hydraulic pipe welding	1	114
	535043510009	Hydraulic pipe welding	1	126
	535043510008	Hydraulic pipe welding	1	141
30	535043510007	Cylinder (R)	1	106
	535043510006	Cylinder (R)	1	114
	535043510005	Cylinder (R)	1	126
	535043510004	Cylinder (R)	1	141
31	535043510012	Cylinder (M)	1	106
	534743510011	Cylinder (M)	1	114
	534743510010	Cylinder (M)	1	126
	534743510009	Cylinder (M)	1	141

Fig. 24 Standard lift two-stage mast hydraulic system (Side shift)

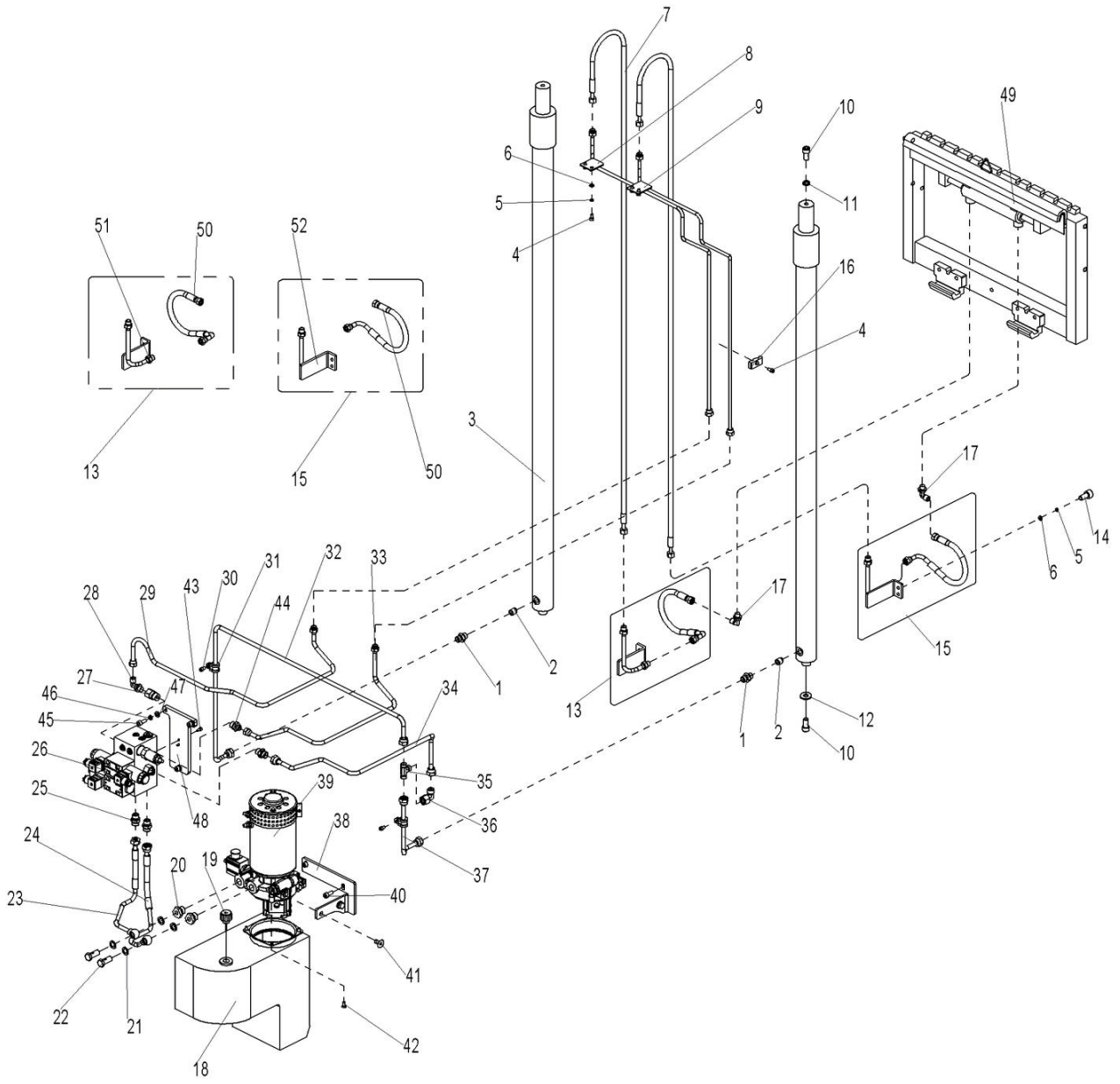


Fig. 24 Standard lift two-stage mast hydraulic system (Side shift)

No.	Art No.	Description	Qty.	Note
1	950400400003	Joint	2	
2	950600300001	Safety valve	2	M16x1.5
3	535044010008	Cylinder	2	2900
	535044010007	Cylinder	2	3200
	535044010006	Cylinder	2	3600
4	910200200033	Screw	5	M6x12
5	910400500005	Spring washer	5	6
6	910400100005	Flat washer	5	6
7	534844010008	Hydraulic hose assembly	2	2900
	534844010006	Hydraulic hose assembly	2	3200
	534844010011	Hydraulic hose assembly	2	3600
8	535144010013	Hydraulic pipe welding	1	2900
	535144010009	Hydraulic pipe welding	1	3200
	535144010002	Hydraulic pipe welding	1	3600
9	535144010012	Hydraulic pipe welding	1	2900
	535144010008	Hydraulic pipe welding	1	3200
	535144010003	Hydraulic pipe welding	1	3600
10	910200200097	Screw	4	M12x25
11	910400500008	Spring washer	2	12
12	534744520015	Washer	2	
13	535198510003	hydraulic pipe (left)	1	
14	910200200035	Screw	4	M6x16
15	535198510004	hydraulic pipe (right)	1	
16	534844520007	Metal plate	1	
17	950401100002	Joint	2	
18	534819010000	Oil tank	1	
19	951100200001	Vent plug	1	M18x1.5
20	950401200004	Joint	2	
21	910800900003	Combination washer	4	14
22	911300300001	Hinge bolt	2	G1/4x28.5
23	534824010000	Hydraulic hose assembly	1	
24	534824010001	Hydraulic hose assembly	1	
25	950400300007	Joint	3	
26	950600100014	Hydraulic valve group	1	
27	950401200003	Joint	1	
28	950401100002	Joint	1	
29	535124010000	Hydraulic pipe welding	1	
30	910200200045	Screw	2	M6x6
31	951000100001	Clamp YGE rubber	2	12
32	535124010003	Hydraulic pipe welding	1	
33	535124010001	Hydraulic pipe welding	1	
34	535124010002	Hydraulic pipe welding	1	
35	950400700002	Joint	1	

36	950400200003	Joint	1	
37	535024010002	Hydraulic pipe welding	1	
38	534824020001	Fixing plate	1	
39	950900100015	Hydraulic power unit	1	24V3.2KW4.0cc
40	910200200057	Screw	2	M8x20
41	910200400035	Joint	2	M10x20
42	910100300009	Bolt	4	M6x12
43	910200200021	Screw	2	M5x10
44	950400300004	Joint	1	
45	910200200058	Screw	3	M8x25
46	910400500006	Spring washer	3	8
47	910400100006	Flat washer	3	8
48	534824020000	Mounting plate	1	
49	940100200001	Side shift	1	2000Kg
50	534844010014	Hydraulic pipe	2	
51	535144010016	Joint welding (left)	1	
52	535144010017	Joint welding (right)	1	

Fig. 25 Standard lift two-stage mast hydraulic system (Regular)

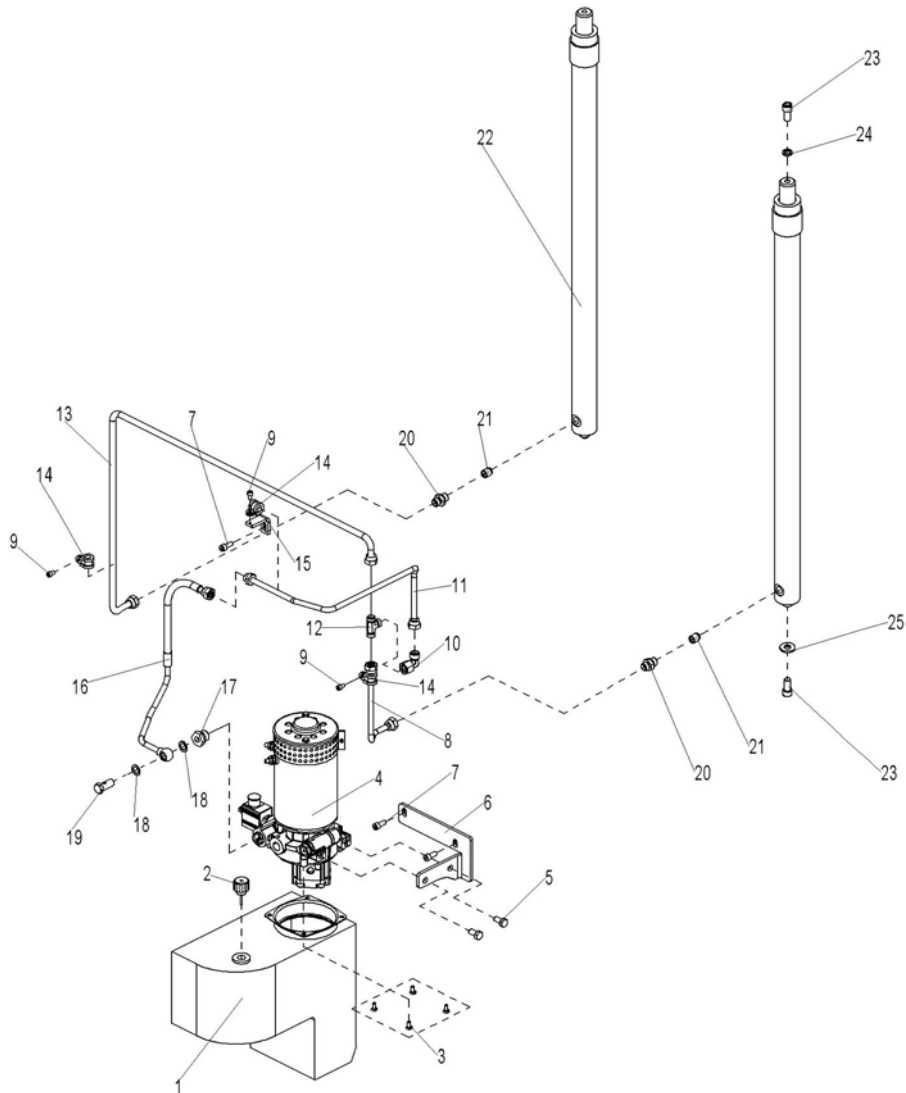


Fig. 25 Standard lift two-stage mast hydraulic system (Regular)

No.	Art No.	Description	Qty.	Note
1	534819010000	Oil tank	1	
2	951100200001	Vent plug	1	M18x1.5
3	910100300009	Bolt	4	M6x12
4	950900100015	Hydraulic power unit	1	24V3.2KW4.0cc
5	910200400035	Joint	2	M10x20
6	534824020001	Fixing plate	1	
7	910200200057	Screw	3	M8x20
8	535024010002	Hydraulic pipe welding	1	
9	910200200045	Screw	5	M6x6
10	950400200003	Joint	1	
11	535124010004	Hydraulic pipe welding	1	

12	950400700002	Joint	1	
13	535124010003	Hydraulic pipe welding	1	
14	951000100001	Clamp YGE rubber	5	12
15	534824020002	Fixing plate	1	
16	534824010005	Hydraulic hose assembly	1	
17	950401200004	Joint	1	
18	910800900003	Combination washer	2	14
19	911300300001	Hinge bolt	1	G1/4x28.5
20	950400400003	Joint	2	
21	950600300001	Safety valve	2	M16x1.5
22	535044010008	Cylinder	2	3600
	535044010007	Cylinder	2	3200
	535044010006	Cylinder	2	2900
23	910200200097	Screw	4	M12x25
24	910400500008	Spring washer	2	
25	534744520015	Washer	2	

Fig. 26 Full free lift three-stage mast outer cylinder components

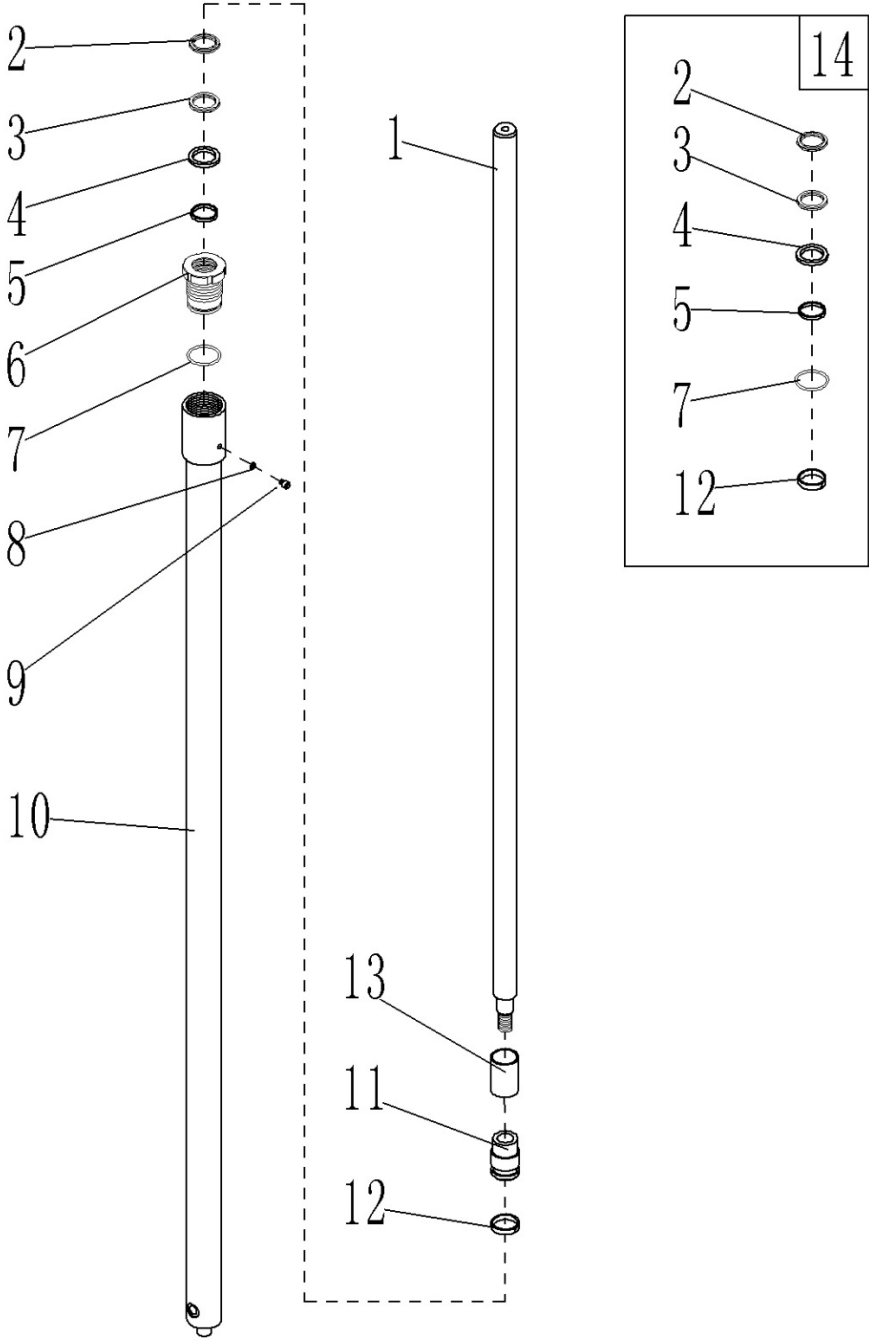


Fig. 26 Full free lift three-stage mast outer cylinder components

No.	Art No.	Description	Qty.	Note
1	535098520011	Piston rod	1	181
	535098520009	Piston rod	1	169
	535098520008	Piston rod	1	157
2	910800400002	Dust ring	1	
3	535398520002	Y ring	1	
4	535098520017	Sealing	1	
5	535098520016	Support ring	1	
6	535098520018	Cylinder cap	1	
7	910800100093	O ring	1	
8	910800900010	Combination washer	1	8
9	910200200051	Screw	1	M8x10
10	535098520019	Cylinder tube	1	181
	535098520020	Cylinder tube	1	169
	535098520021	Cylinder tube	1	157
11	535098520022	Piston	1	
12	533298520004	Support ring	1	
13	535098520023	Adjusting bushing	1	
14	535098510000	Sealing kits	1	

Fig. 27 Full free lift three-stage mast middle cylinder componets

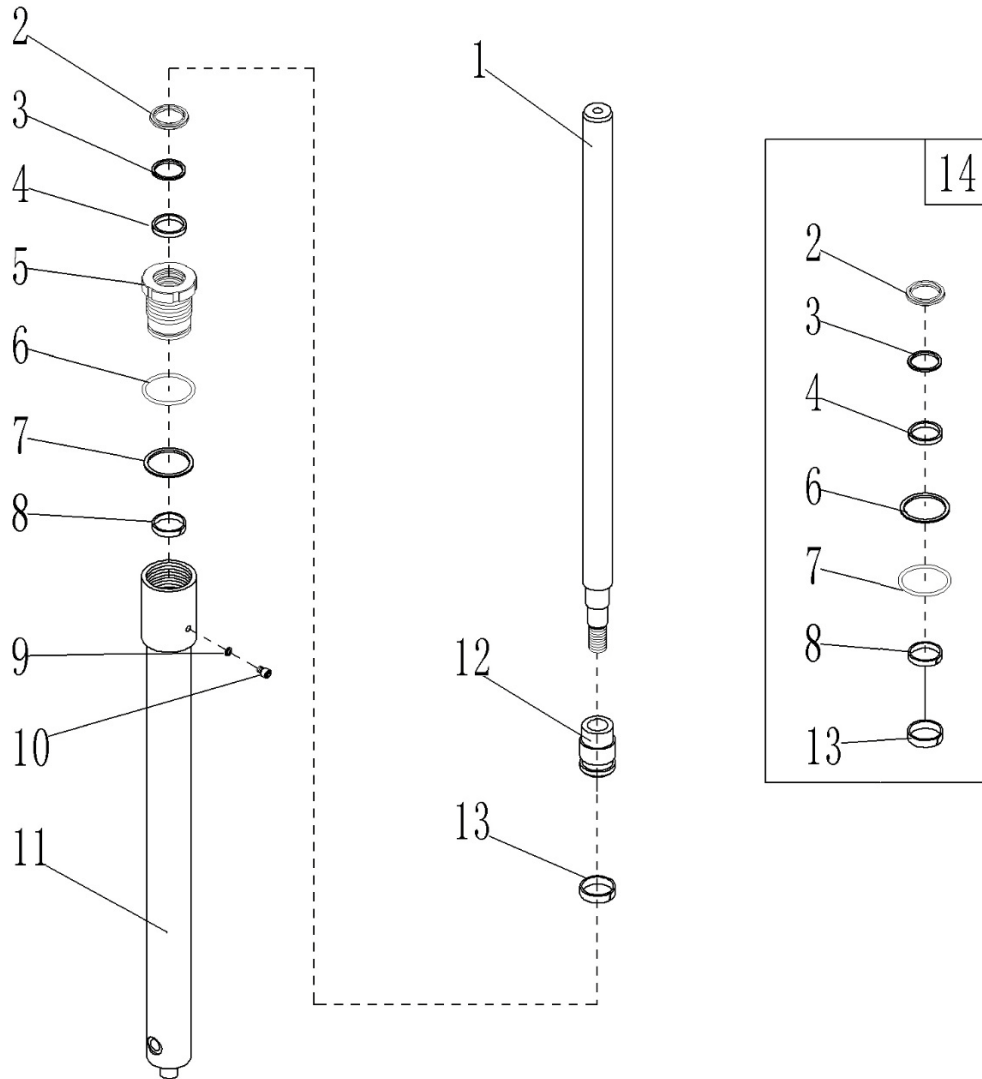


Fig. 27 Full free lift three-stage mast middle cylinder components

No.	Art No.	Description	Qty.	Note
1	534798520014	Piston rod	1	181
	534798520015	Piston rod	1	169
	535098520006	Piston rod	1	157
2	534798520042	Dust ring	1	
3	534798520063	Circlip	1	
4	534798520064	Seal ring	1	

5	534798520065	End cap	1	
6	534498520021	O ring	1	
7	534798520066	Circlip	1	
8	534798520067	Support ring	1	
9	910800900010	Combination washer	1	8
10	910200200051	Screw	1	M8x10
11	534798520018	Cylinder tube	1	181
	534798520019	Cylinder tube	1	169
	535098520024	Cylinder tube	1	157
12	534798520071	Piston	1	
13	534798520072	Support ring	1	
14	534798510001	Sealing kits	1	

Fig. 28 Standard lift three-stage mast outer cylinder components

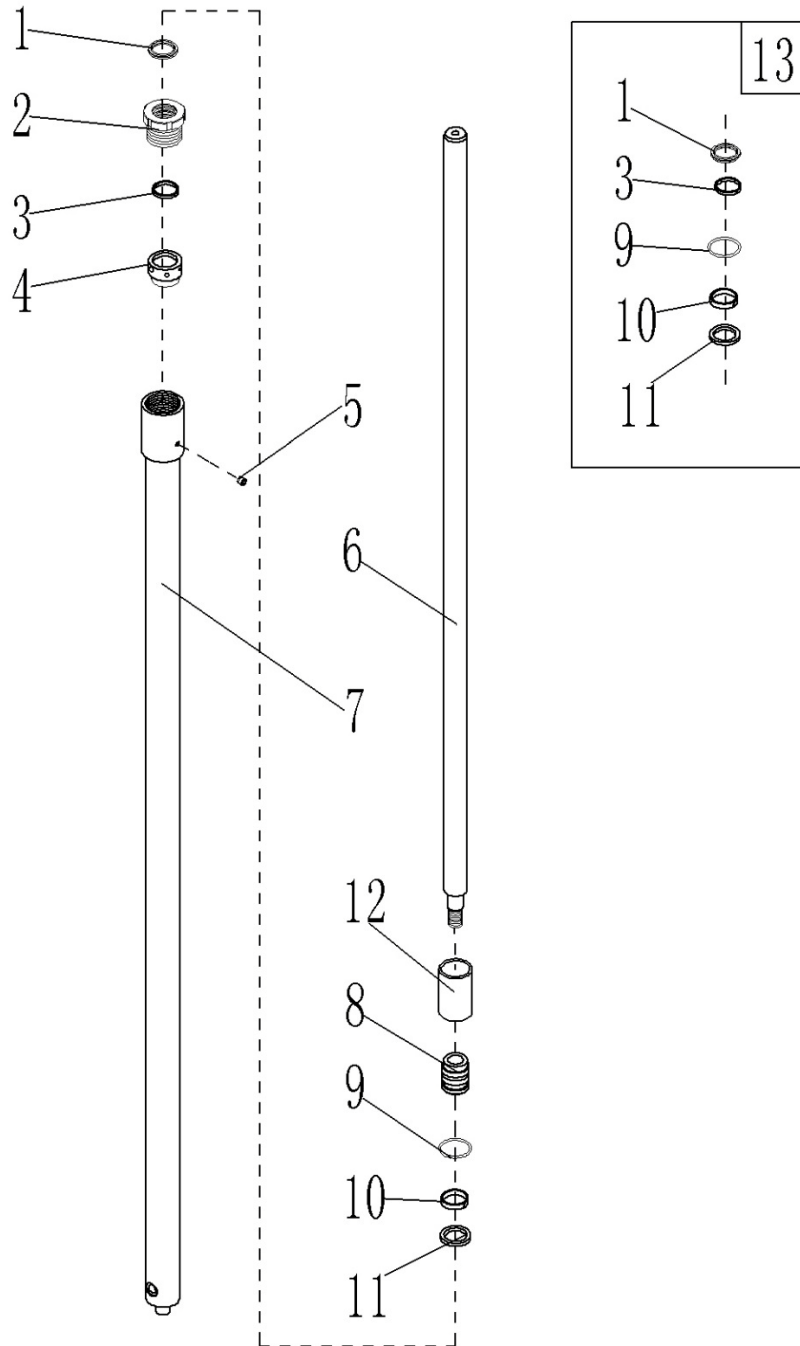


Fig. 28 Standard lift Three-stage mast 外 Cylinder 组件

No.	Art No.	Description	Qty.	Note
1	910800400002	Dust ring	1	
2	533598520005	Screw cap	1	
3	535098520016	Support ring	1	
4	533598520006	Spacer	1	
5	910200200051	Screw	1	M8x10
6	535098520012	Piston rod	1	181
	535098520010	Piston rod	1	169
7	535098520025	Cylinder tube	1	181
	535098520026	Cylinder tube	1	169
8	535098520027	Piston	1	
9	535098520028	O ring	1	
10	535098520029	Support ring	1	
11	535398520005	Y ring	1	
12	535098520030	Limit bushing	1	
13	535098510001	Sealing kits	1	

Fig. 29 Full free lift two-stage mast outer cylinder components

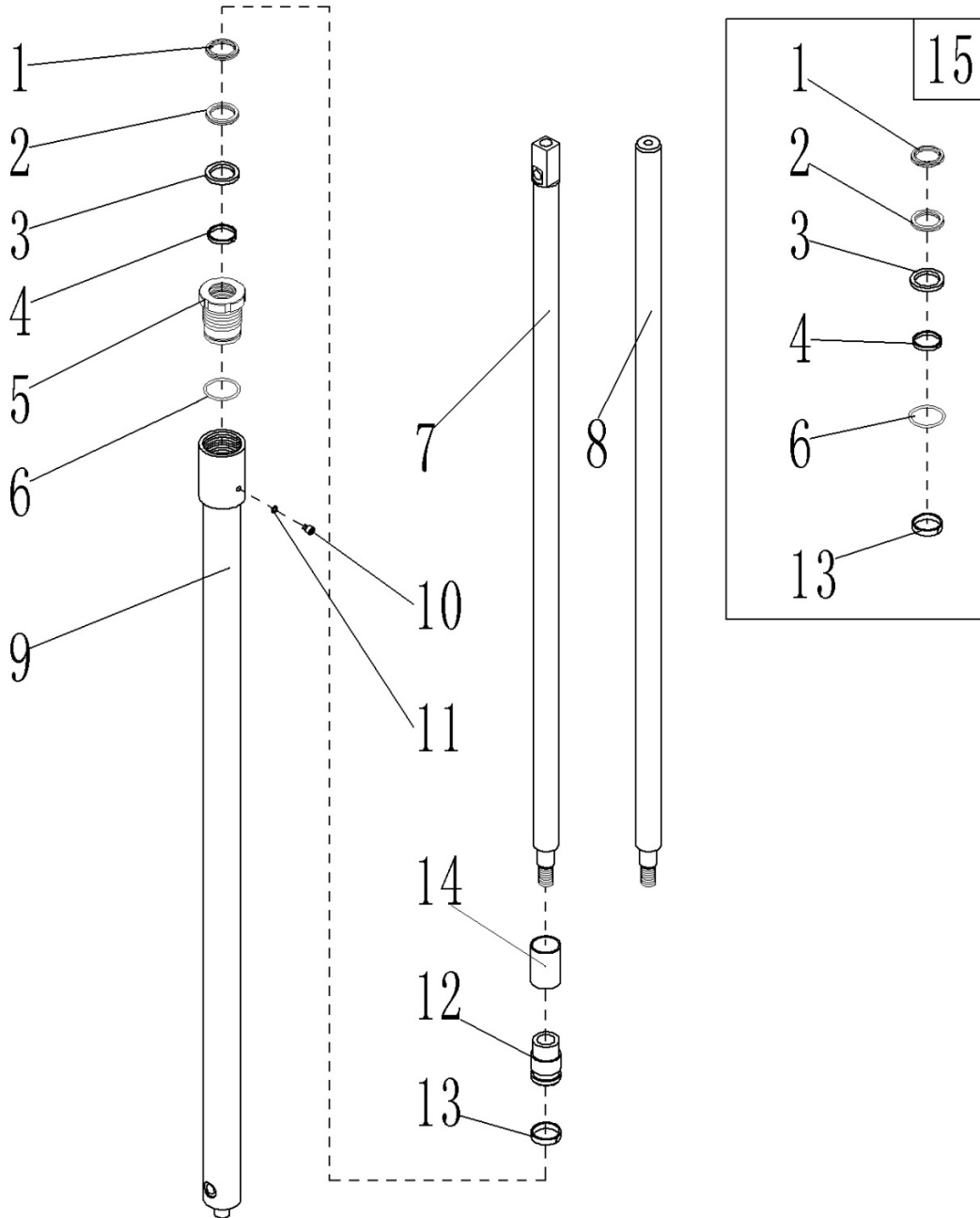


Fig. 29 Full free lift two-stage mast outer cylinder components

No.	Art No.	Description	Qty.	Note
1	534798520027	Dust ring	1	
2	534798520028	Seal ring	1	

3	534798520029	Sealing	1	
4	534798520030	Support ring	1	
5	534798520031	Cylinder cap	1	
6	910800100093	O ring	1	
7	535098520007	Piston rod	1	141 left cylinder
	535098520005	Piston rod	1	126 left cylinder
	535098520004	Piston rod	1	114 left cylinder
	535098520002	Piston rod	1	106 left cylinder
8	535098520031	Piston rod	1	141 right cylinder
	535098520003	Piston rod	1	126 right cylinder
	535098520001	Piston rod	1	114 right cylinder
	535098520000	Piston rod	1	106 right cylinder
9	535098520032	Cylinder tube	1	141
	535098520033	Cylinder tube	1	126
	535098520034	Cylinder tube	1	114
	535098520035	Cylinder tube	1	106
10	910800900010	Combination washer	1	8
11	910200200051	Screw	1	M8x10
12	534798520041	Piston	1	
13	533298520004	Support ring	1	
14	535098520036	Adjusting bushing	1	
15	535098510002	Sealing kits	1	

Fig. 30 Full free lift two-stage mast middle cylinder components

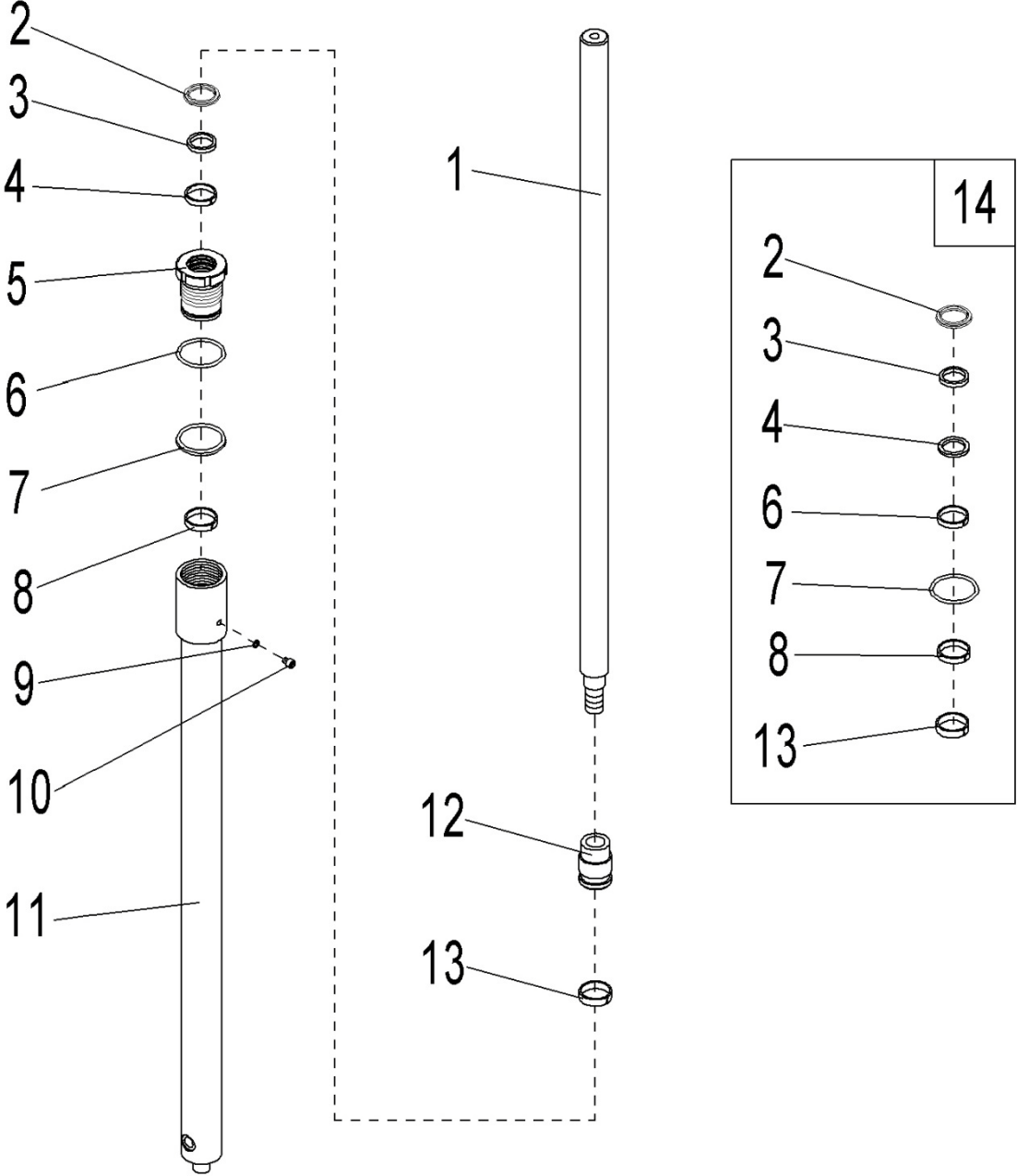


Fig. 30 Full free lift two-stage mast middle cylinder components

No.	Art No.	Description	Qty.	Note
1	534798520059	Piston rod	1	141
	534798520060	Piston rod	1	126
	534798520061	Piston rod	1	114
	535098520006	Piston rod	1	106
2	534798520042	Dust ring	1	
3	534798520063	Circlip	1	
4	534798520064	Seal ring	1	
5	534798520065	End cap	1	
6	534498520021	O ring	1	
7	534798520066	Circlip	1	
8	534798520067	Support ring	1	
9	910800900010	Combination washer	1	8
10	910200200051	Screw	1	M8x10
11	534798520068	Cylinder tube	1	141
	534798520069	Cylinder tube	1	126
	534798520070	Cylinder tube	1	114
	535098520024	Cylinder tube	1	106
12	534798520071	Piston	1	
13	534798520072	Support ring	1	
14	534798510003	Sealing kits	1	

Fig. 31 Standard lift two-stage mast outer cylinder components

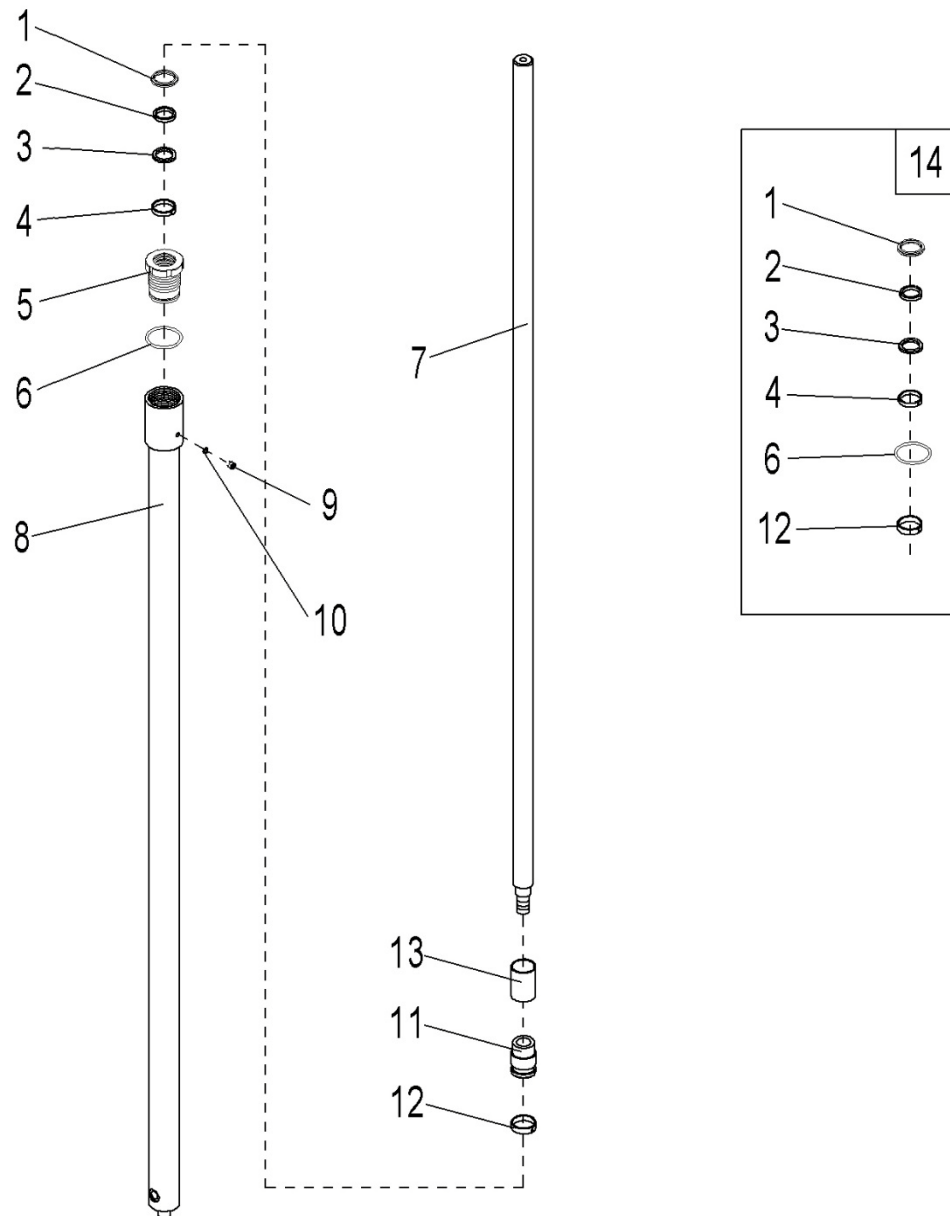


Fig. 31 Standard lift two-stage mast outer cylinder components

No.	Art No.	Description	Qty.	Note
1	910800400002	Dust ring	1	
2	535398520002	Y ring	1	
3	535098520017	Sealing	1	
4	535398520003	Support ring	1	
5	534798520046	Cylinder cap	1	

6	910800100093	O ring	1	
7	535098520015	Piston rod	1	141
	535098520014	Piston rod	1	126
	535098520013	Piston rod	1	114
8	535098520037	Cylinder tube	1	141
	535098520038	Cylinder tube	1	126
	535098520039	Cylinder tube	1	114
9	910200200051	Screw	1	M8x10
10	910800900010	Combination washer	1	8
11	534798520041	Piston	1	
12	533298520004	Support ring	1	
13	535098520040	Adjusting bushing	1	
14	535098510003	Sealing kits	1	

Fig. 32 Driving system assembly

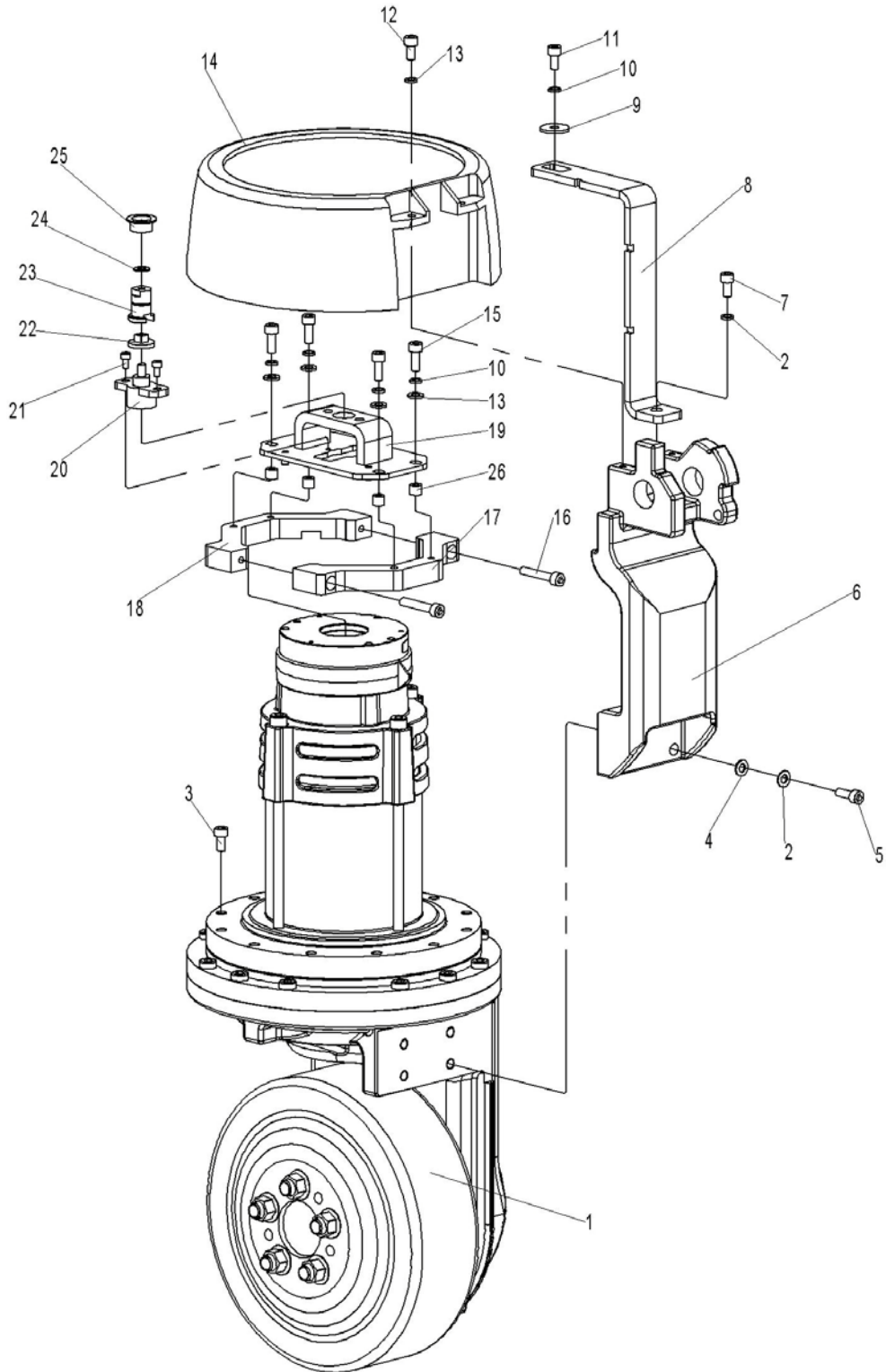


Fig. 32 Driving system assembly

No.	Art No.	Description	Qty.	Note
1	940900400004	Driving assembly	1	
2	910400500006	Spring washer	5	8
3	910200200061	Screw	6	M8x40
4	910400100006	Flat washer	4	8
5	910200200058	Screw	4	M8x25
6	534813520000	Tiller base	1	
7	910200200055	Screw	1	M8x16
8	534813520006	Linking rod	1	
9	534813520008	Washer	1	Thickness 2
10	910400500005	Spring washer	5	6
11	910200200033	Screw	1	M6x12
12	910200300017	Screw	2	M6x12
13	910400100005	Flat washer	6	6
14	534713520003	Protective cover	1	
15	910200200038	Screw	4	M6x25
16	910200200041	Screw	2	M6x40
17	534813520003	Fixing plate	1	
18	534813520002	Fixing plate	1	
19	534813510001	Mounting base welding	1	
20	921800200006	Potentiometer	1	
21	910200200012	Screw	2	M4x8
22	505631520003	Linking block	1	
23	534813520001	Fixing axle	1	
24	910401300006	Circlip	1	15
25	940500200001	Bushing	1	
26	534813520010	spacer bush	4	

Fig. 33 Driving assembly

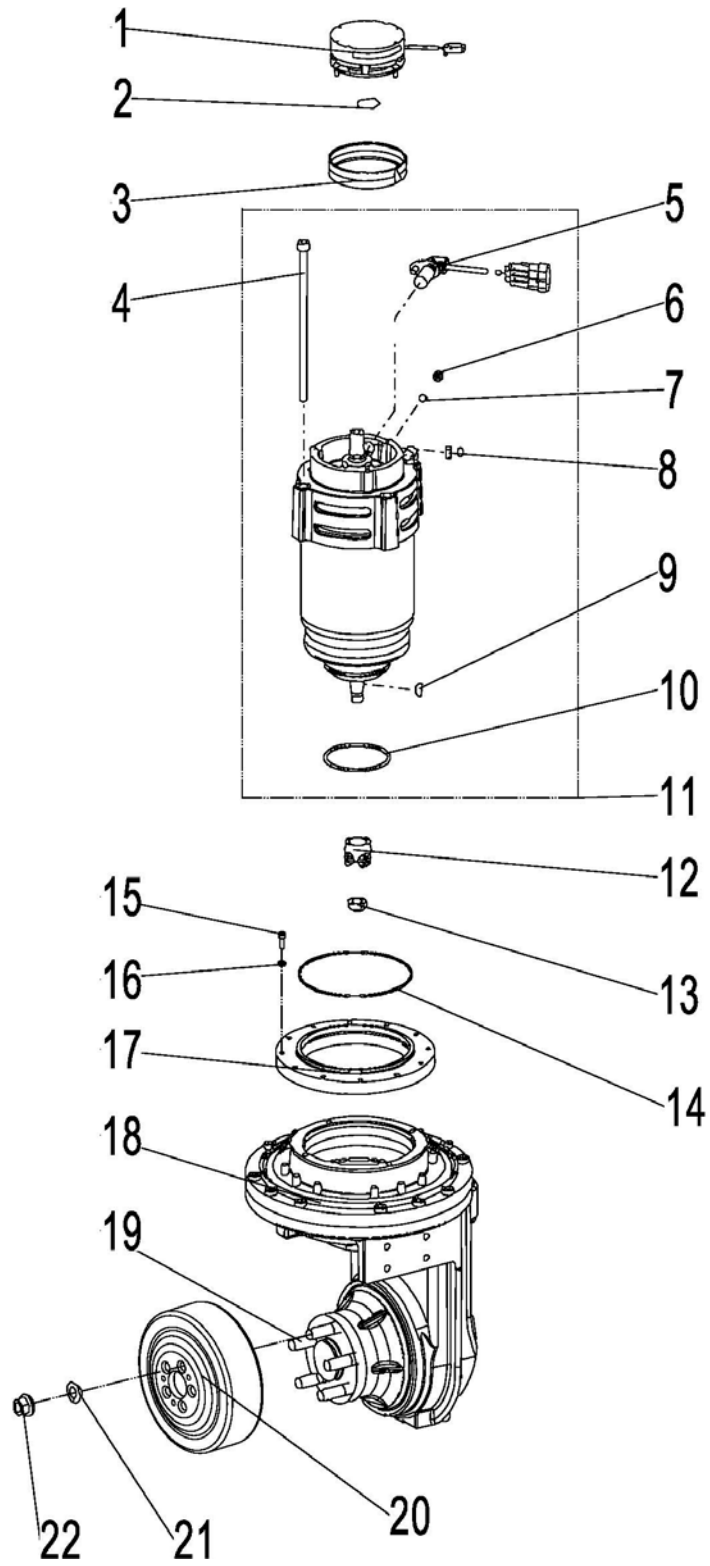


Fig. 33 Driving assembly

No.	Art No.	Description	Qty.	Note
1	535998510001	Brake	1	
2	535998520000	Circlip	1	15
3	535998520001	Spacer	1	
4	535998520002	Screw	4	M8x175
5	535998510002	Sensor	1	
6	535998520003	Nut	1	M6x8
7	535998520004	Safety components	1	
8	535998520005	Flat key	1	5x5x14
9	535998520006	Semi circle key	1	
10	535998520007	O ring	1	
11	535998510003	Motor	1	
12	535998520014	Gear	1	
13	535998520008	Nut	1	
14	535998520009	O ring	1	146x3
15	910200200060	Screw	9	M8x35
16	910400500006	Spring washer	9	8
17	535998520010	Mounting plate	1	
18	535998510004	Gear box assembly	1	
19	535998520011	Stud	5	
20	940300400005	Roller	1	Φ230x70
21	535998520012	Spring washer	5	
22	535998520013	Nut	5	

Fig. 34 Load roller assembly

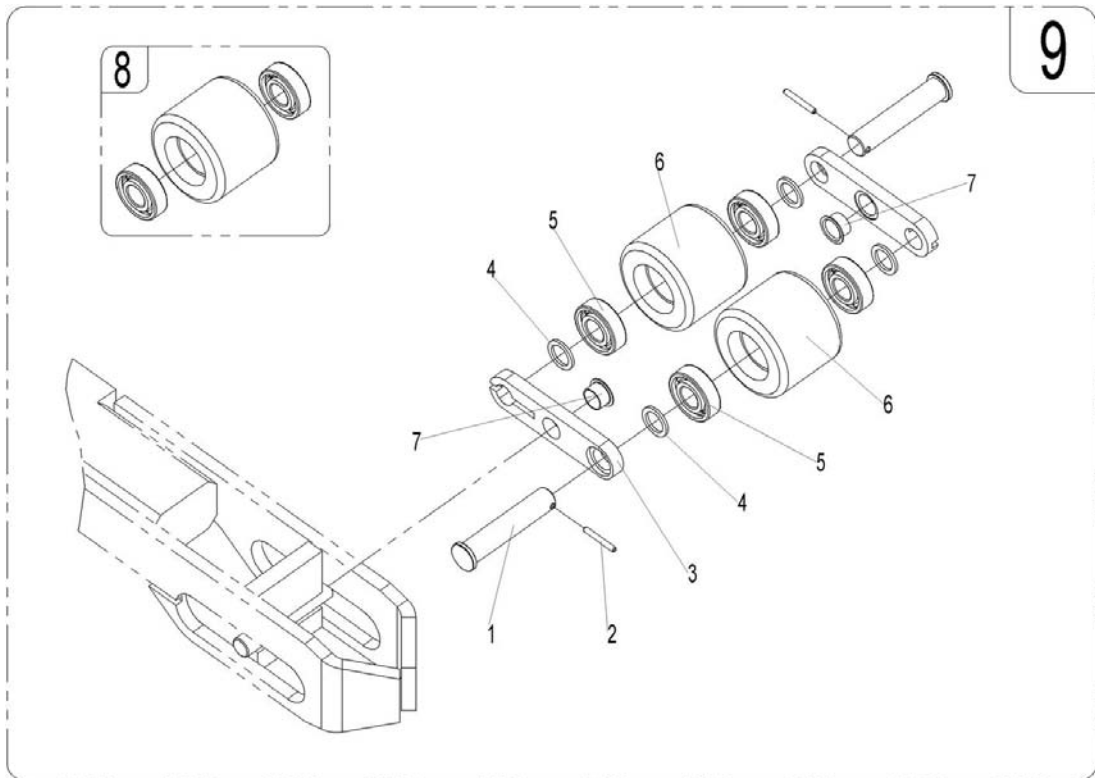


Fig. 34 Load roller assembly

No.	Art No.	Description	Qty.	Note
1	534717020001	Short axle	2	
2	910600400017	Elastic cylindrical pin	2	4x35
3	534717020002	Linking plate	2	
4	940600500004	Washer	4	
5	910700200019	Bearing	4	6204-2RS
6	940300300009	Roller	2	
7	940500200003	Bushing	2	
8	532998510001	Wheel set kits	4	
9	534717001001	Load roller assembly	2	

Fig. 35 Tiller control assembly

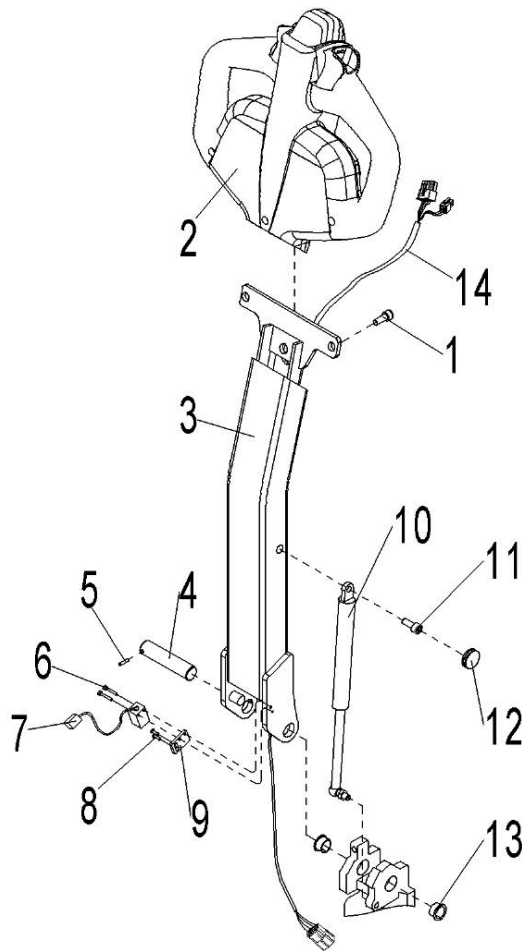


Fig. 35 Tiller control assembly

No.	Art No.	Description	Qty.	Note
1	910200200058	Screw	2	M8x25
2	922100100001	Tiller 94300-90(REMA)	1	
3	504411010001	Tiller arm	1	
4	504411020011	Rotate axle	1	
5	910600400009	Elastic cylindrical pin	1	4x14
6	910200200005	Screw	2	M3x20
7	505633510002	Proximity switch	1	
8	910200200014	Screw	2	M4x12
9	504411020009	Switch base plate	1	
10	940400100011	Air spring	1	
11	910200200057	Screw	1	M8x20
12	502311020009	Sealing bushing	1	
13	940500200005	Bushing	2	
14	534833010001	Tiller control wiring harness	1	

Fig. 36 Pump components

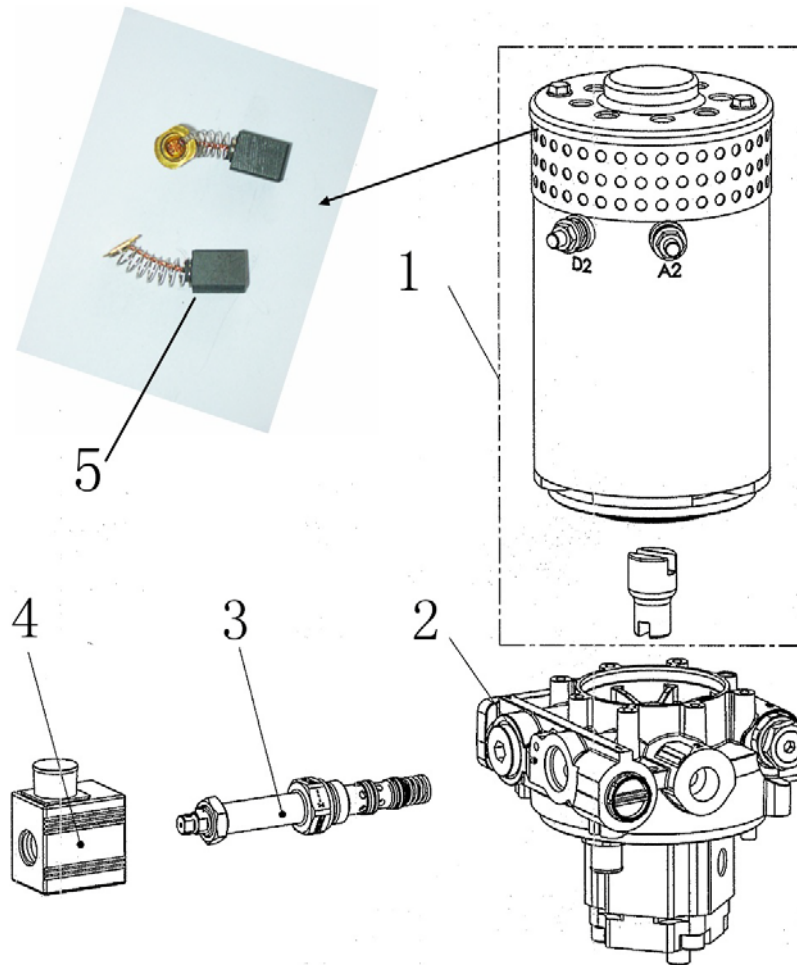


Fig. 36 Pump components

No.	Art No.	Description	Qty.	Note
1	534798510006	Motor	1	3.2KW
2	534798510007	Centre valve block	1	
3	534798520024	Electromagnetic valve core	1	
4	534798520025	Coil	1	
5	534798520026	Carbon brush	1	

Fig. 37 Main circuit wiring harness

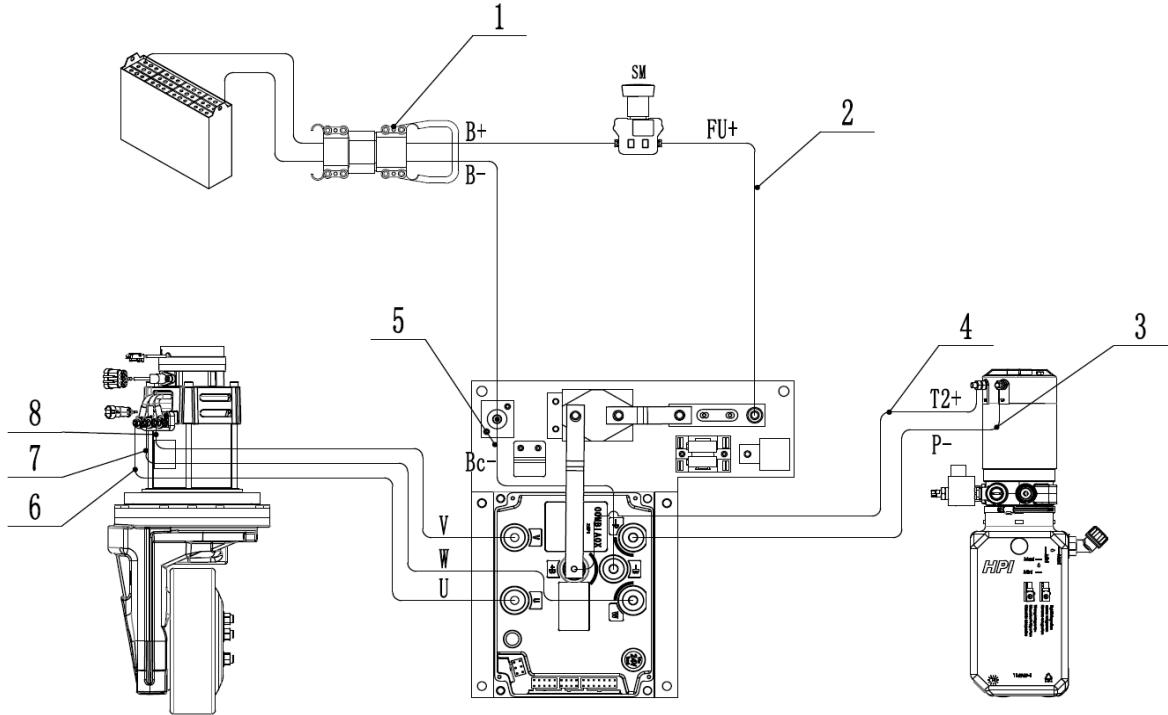


Fig. 37 Main circuit wiring harness

No.	Art No.	Description	Qty.	Note
1	534833010008	Main power supply wiring harness	1	
2	534833010009	Cable	1	FU+
3	534833010006	Cable	1	P-
4	534833010007	Cable	1	T2+
5	534833010013	Cable	1	BC-
6	534833010003	Cable	1	U
7	534833010005	Cable	1	W
8	534833010004	Cable	1	V

Fig. 38 Electrical components

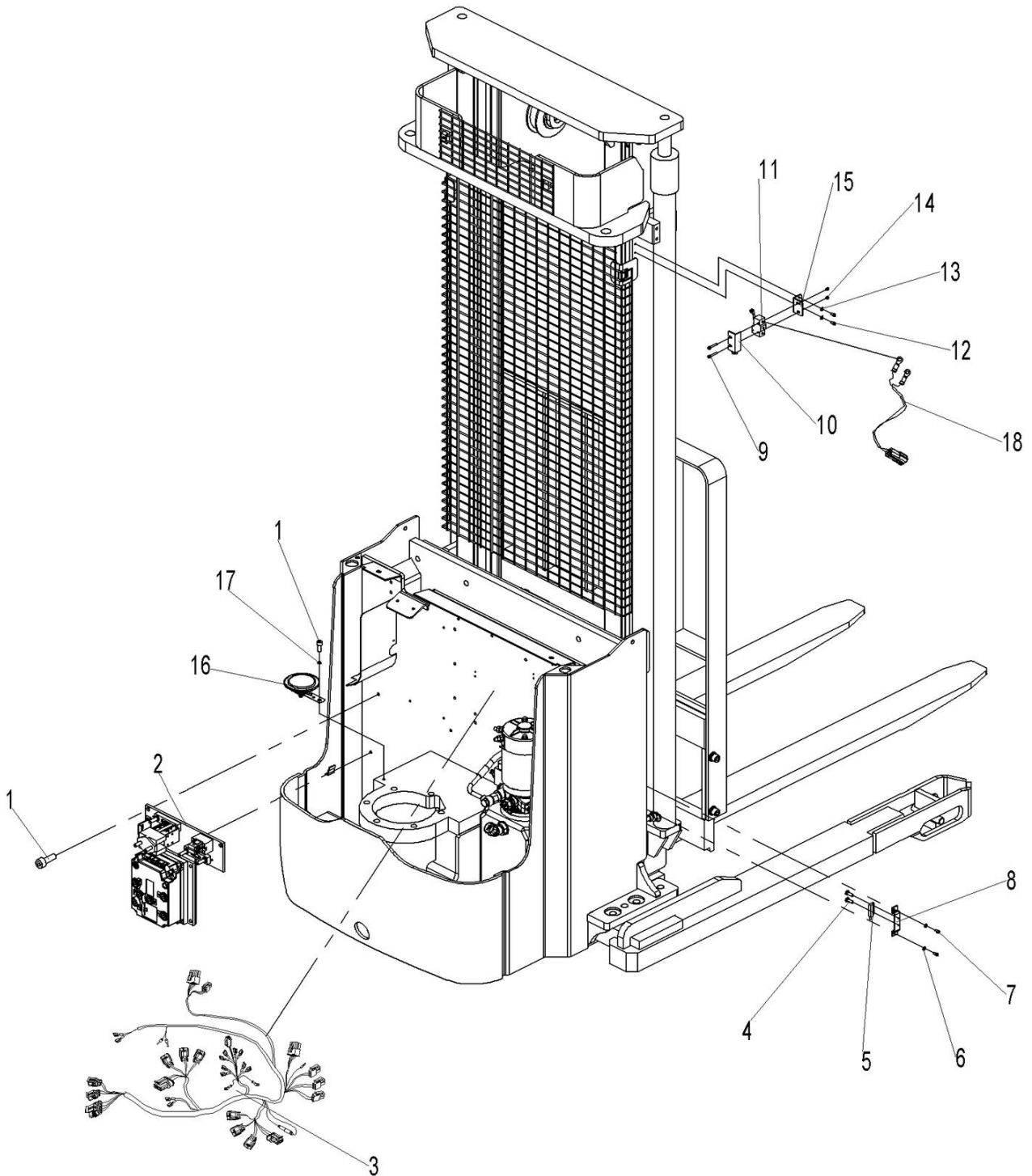


Fig. 38 Electrical components

No.	Art No.	Description	Qty.	Note
1	910200200053	Screw	5	M8x12
2	534833501000	Electrical parts assembly (COMBIACX)	1	

3	534533010000	Main control wiring harness (COMBIACX)	1	Regular
	534833010000	Main control wiring harness (COMBIACX)	1	Side shift
4	910200500010	Screw	2	M3x8
5	534833510003	Magnetic switch	1	HWK23
6	910400500003	Spring washer	2	4
7	910200200014	Screw	2	M4x12
8	534744520059	Protective cover	1	
9	910200400006	Screw	2	M4x25
10	920200300008	Micro switch protective cover	1	
11	920200300001	Micro switch	1	XZ-15GW22-B
12	910200300005	Screw	2	M4x8
13	910400100003	Flat washer	2	4
14	910300500001	Nut	2	M4
15	534744520036	Fixing plate	1	
16	920500100001	Horn	1	
17	910400500006	Spring washer	1	8
18	534833510001	Limit control wiring harness (1850mm)	1	106
	534733010015	Limit control wiring harness (1950mm)	1	114
	535133510001	Limit control wiring harness (2050mm)	1	126
	535133510002	Limit control wiring harness (2250mm)	1	141
	534733010014	Limit control wiring harness (1900mm)	1	157
	534733010015	Limit control wiring harness (1950mm)	1	169
	535133510001	Limit control wiring harness (2050mm)	1	181

Fig. 39 Electrical controller components (COMBIACX)

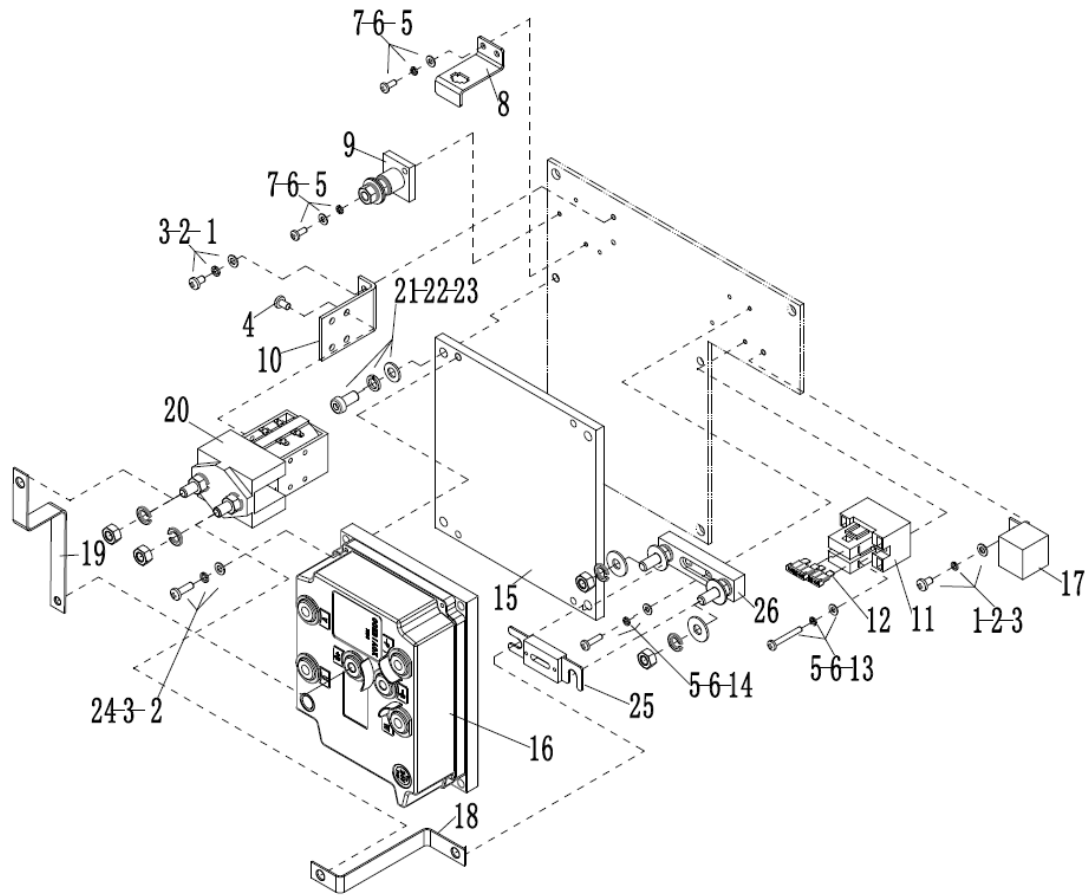


Fig. 39 Electrical controller components (COMBIACX)

No.	Art No.	Description	Qty.	Note
1	910200500037	Screw	3	M5x10
2	910400500004	Spring washer	7	5
3	910400100004	Flat washer	7	5
4	910200500036	Screw	2	M5x8
5	910400100003	Flat washer	8	4
6	910400500003	Spring washer	8	4
7	910200500021	Screw	8	4
8	921300300001	Fixing frame	1	
9	920100400001	Fuse base	1	M8
10	921300400004	Main contactor fixing part	1	180
11	920100400005	Fuse base	1	2x10A
12	920100200002	Fuse	2	10A
13	910200500028	Screw	2	M4x30
14	910200500024	Screw	2	M4x16

15	534733020000	Aluminium plate	1	COMBIACX
16	921400100048	Controller	1	24-240+270A
17	920800100001	Relay	1	DC24V
18	534733020002	Copper bar	1	
19	534733020001	Copper bar	1	
20	920700100002	Contactora	1	DC24V-SW180
21	910400100006	Flat washer	2	8
22	910400500006	Spring washer	2	8
23	910200200055	Screw	2	M8x16
24	910200200023	Screw	4	M5x16
25	920100100013	Fuse	1	350A
26	920100400002	Fuse base	1	SYV

Fig. 40 Load backrest (Regular)

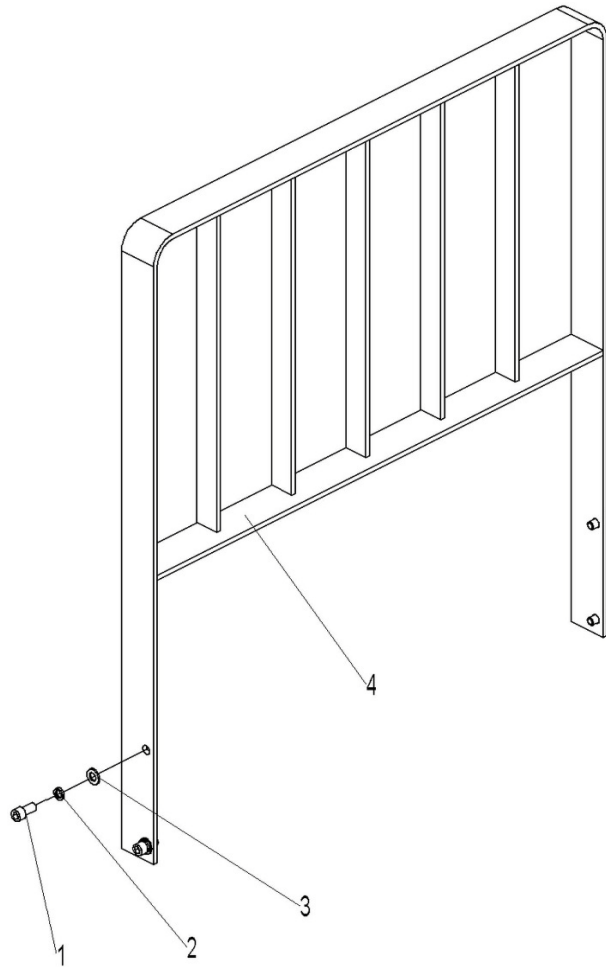


Fig. 40 Load backrest (Regular)

No.	Art No.	Description	Qty.	Note
1	534840510000	Load backrest welding	1	
2	910200200097	Screw	4	M12x25
3	910400100008	Flat washer	4	12
4	910400500008	Spring washer	4	12

Fig. 41 Load backrest (Side shift)

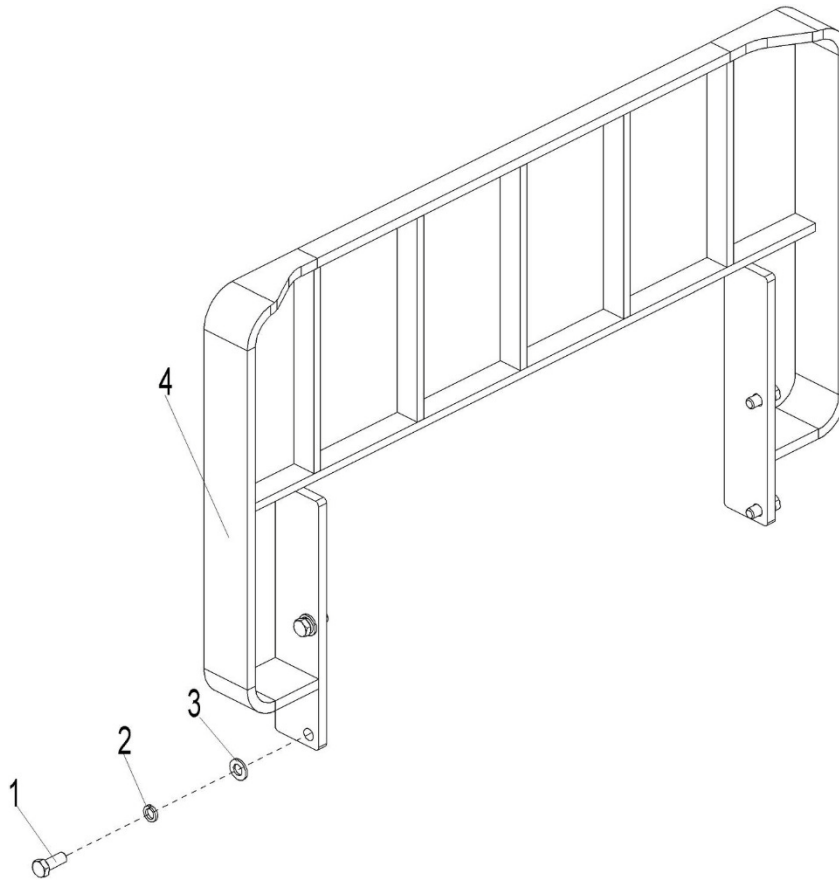


Fig. 41 Load backrest (Side shift)

No.	Art No.	Description	Qty.	Note
1	910100300050	Bolt	4	M12x30
2	910400500008	Spring washer	4	12
3	910400100008	Flat washer	4	12
4	216540510001	Load backrest welding	1	

Easy worn parts list

No.	Art No.	Description	Qty.	Fig. / Position	Note
1	534721520024	Damping pad	2	Fig. 4/27	Chassis assembly
2	910700500002	Bearing	2	Fig. 8/5	Side roller components
3	940500100002	Bushing	4	Fig. 8/13	
4	910700200019	Bearing	4	Fig. 8/19	
5	940300300018	Roller	2	Fig. 8/20	
6	910800400002	Dust ring	1	Fig. 26/2	
7	535098520017	Sealing	1	Fig. 26/4	
8	535098520016	Support ring	1	Fig. 26/5	
9	910800100093	O ring	1	Fig. 26/7	
10	910800900010	Combination washer	1	Fig. 26/8	
11	533298520004	Support ring	1	Fig. 26/12	
12	535098510000	Sealing kits	1	Fig. 26/14	Full free lift three-stage mast middle cylinder components
13	534798520042	Dust ring	1	Fig. 27/2	
14	534798520064	Seal ring	1	Fig. 27/4	
15	534498520021	O ring	1	Fig. 27/6	
16	534798520067	Support ring	1	Fig. 27/8	
17	910800900010	Combination washer	1	Fig. 27/9	
18	534798520072	Support ring	1	Fig. 27/13	
19	534798510001	Sealing kits	1	Fig. 27/14	
20	910800400002	Dust ring	1	Fig. 28/1	
21	535098520016	Support ring	1	Fig. 28/3	
22	535098520028	O ring	1	Fig. 28/9	
23	535098520029	Support ring	1	Fig. 28/10	
24	535098510001	Sealing kits	1	Fig. 28/13	Full free lift two-stage mast outer cylinder components
25	534798520027	Dust ring	1	Fig. 29/1	
26	534798520028	Seal ring	1	Fig. 29/2	
27	534798520029	Sealing	1	Fig. 29/3	
28	534798520030	Support ring	1	Fig. 29/4	
29	910800100093	O ring	1	Fig. 29/6	
30	910800900010	Combination washer	1	Fig. 29/10	
31	533298520004	Support ring	1	Fig. 29/13	
32	535098510002	Sealing kits	1	Fig. 29/15	
33	534798520042	Dust ring	1	Fig. 30/2	

34	534798520064	Seal ring	1	Fig. 30/4	cylinder components	
35	534498520021	O ring	1	Fig. 30/6		
36	534798520067	Support ring	1	Fig. 30/8		
37	910800900010	Combination washer	1	Fig. 30/9		
38	534798520072	Support ring	1	Fig. 30/13		
39	534798510003	Sealing kits	1	Fig. 30/14		
40	910800400002	Dust ring	1	Fig. 31/1		Standard lift two-stage mast outer cylinder components
41	535398520002	Y ring	1	Fig. 31/2		
42	535098520017	Sealing	1	Fig. 31/3		
43	535398520003	Support ring	1	Fig. 31/4		
44	910800100093	O ring	1	Fig. 31/6		
45	910800900010	Combination washer	1	Fig. 31/10		
46	533298520004	Support ring	1	Fig. 31/12		
47	535098520040	Adjusting bushing	1	Fig. 31/13		
48	535098510003	Sealing kits	1	Fig. 31/14		
49	921800200006	Potentiometer	1	Fig. 32/20	Driving system assembly	
50	940500200001	Bushing	1	Fig. 32/25		
51	910700200019	Bearing	4	Fig. 34/5	Load roller assembly	
52	940300300009	Roller	2	Fig. 34/6		
53	940500200003	Bushing	2	Fig. 34/7		
54	532998510001	Wheel set kits	4	Fig. 34/8		
55	505633510002	Proximity switch	1	Fig. 35/7	Tiller control assembly	
56	940400100011	Air spring	1	Fig. 35/10		
57	502311020009	Sealing bushing $\Phi 26$	1	Fig. 35/12		
58	940500200005	Bushing	2	Fig. 35/13		
59	534833510003	Magnetic switch	1	Fig. 38/5	Electrical components	
60	920200300001	Micro switch	1	Fig. 38/11		
61	920100200002	Fuse	2	Fig. 39/12	Electrical controller components (COMBIACX)	
62	920100100013	Fuse	1	Fig. 39/25		