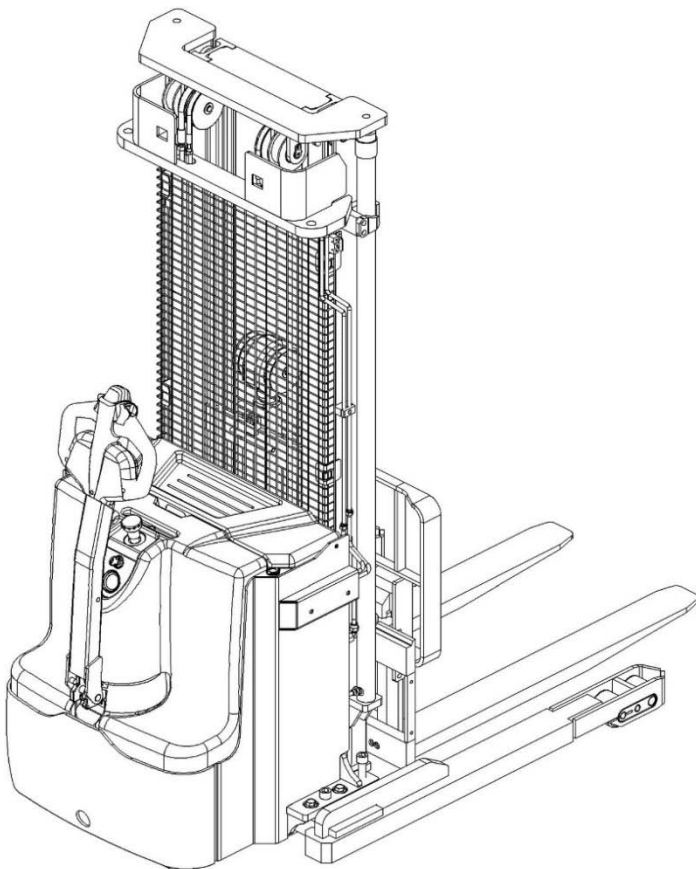


SPAREPARTS LIST

Electric Stacker PS35TSL



Version 04/2019

From truck identification number:

PS35TSL-BPT-002-EN

Catalogue

Fig.1 Label (For EU).....	1
Fig.2 Label (For US).....	2
Fig. 3 Fork carriage	3
Fig. 4 Chassis assembly	4
Fig. 5 Power supply (built-in charger)	6
Fig. 6 Instrument components.....	7
Fig. 7 Battery cover assembly	8
Fig. 8 Support wheel components.....	9
Fig. 9 Three-stage mast system (full free lift).....	11
Fig. 10 Three-stage mast system (standard lift)	12
Fig. 11 Two-stage mast system (full free lift).....	13
Fig. 12 Two-stage mast system (standard lift)	14
Fig. 13 Three-stage full free lift mast chain system (side shift)	15
Fig. 14 Three-stage full free lift mast chain system (regular)	17
Fig. 15 Three-stage standard lift mast chain system	19
Fig. 16 Two-stage full free lift mast chain system	20
Fig. 17 Two-stage standard lift mast chain system (side shift)	22
Fig. 18 Two-stage standard lift mast chain system (regular)	24
Fig. 19 Other parts of mast.....	25
Fig. 20 Three-stage full free lift hydraulic system (side shift)	27
Fig. 21 Three-stage full free lift hydraulic system (regular).....	30
Fig. 22 Three-stage standard lift hydraulic system	32
Fig. 23 Two-stage full free lift hydraulic system	34
Fig. 24 Two-stage standard lift hydraulic system (side shift)	36
Fig. 25 Two-stage standard lift hydraulic system (regular)	39
Fig. 26 Three-stage mast outer cylinder components (full free lift)	41
Fig. 27 Three-stage mast middle cylinder components (full free lift).....	43
Fig. 28 Three-stage mast outer cylinder components (standard lift)	45
Fig. 29 Two-stage mast outer cylinder components (full free lift)	47
Fig. 30 Two-stage mast middle cylinder components (full free lift).....	49
Fig. 31 Two-stage mast outer cylinder components (standard lift).....	51
Fig. 32 Drive system assembly	53
Fig. 33 Driving assembly.....	55
Fig. 34 Load wheel assembly.....	57
Fig. 35 Tiller assembly.....	58
Fig. 36 Pump components	59
Fig. 37 Main circuit wiring harness.....	60
Fig. 38 Electrical parts.....	61
Fig. 39 Controller components (COMBIACX)	63
Fig. 40 Load backrest (Regular).....	65
Fig. 41 Load backrest (Side shift)	66
Easy worn parts list	67

Fig.1 Label (For EU)

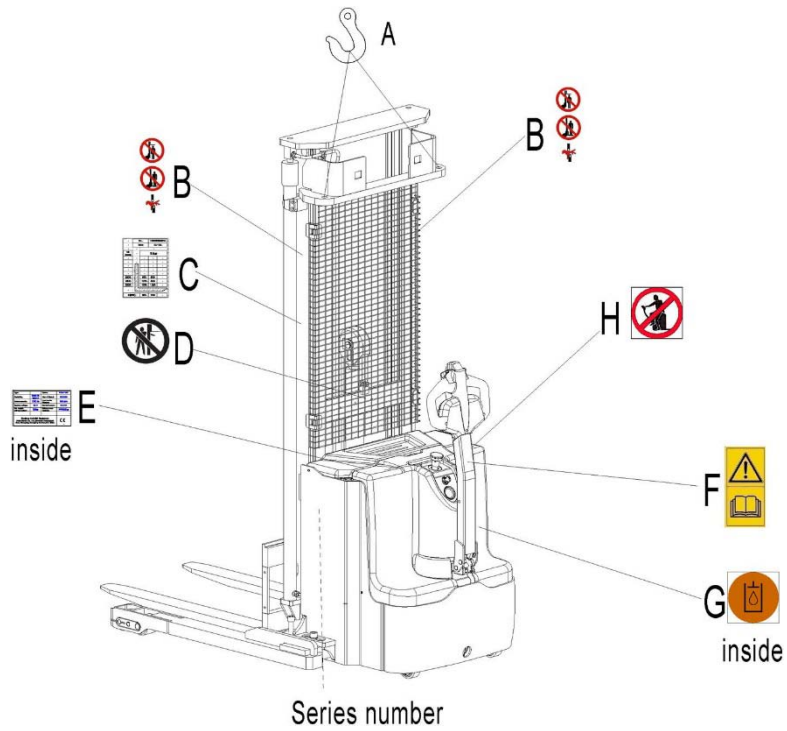


Fig.1 Label (For EU)

No.	Art No.	Description	Qty.	Note
A	941200300001	Crane hook label	2	
B	941200100004	Warning decal: Do not step under or on the forks	2	
C	534847520000	Residual lift capacity sticker	1	
D	941200100006	Never reach through	1	
E	534847020001	CE label	1	
F	941200300002	Sticker to read and follow these instructions	1	
G	941200300003	Filling sticker	1	
H	941200300018	'No passengers' decal	1	

Fig.2 Label (For US)

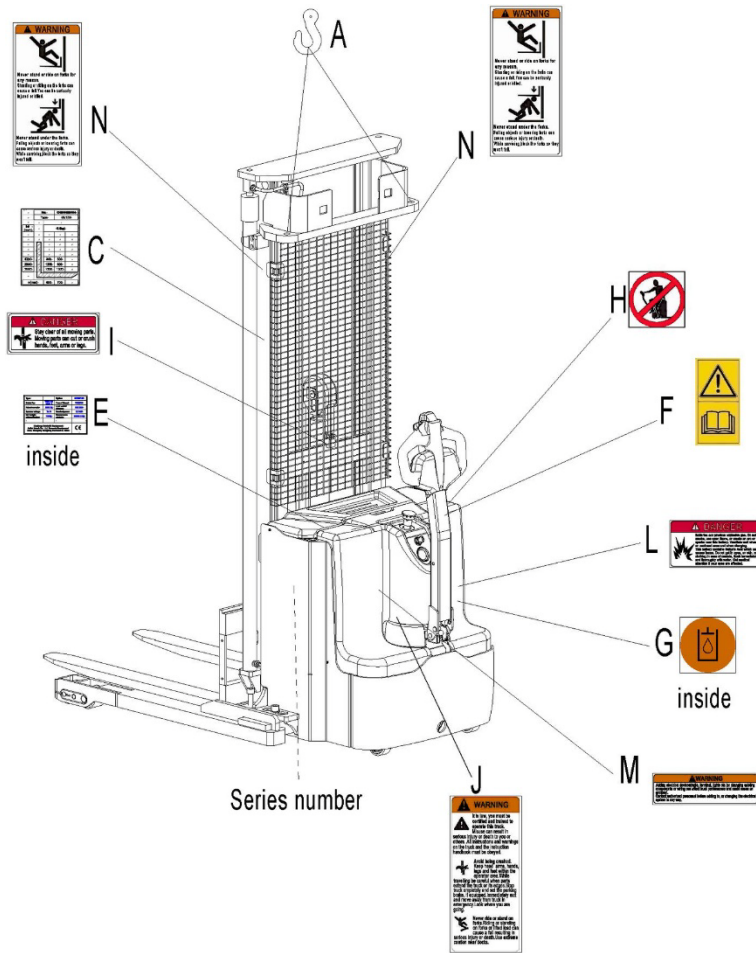


Fig.2 Label (For US)

No.	Art No.	Description	Qty.	Note
A	941200300001	Crane hook label	2	
C	534847520000	Residual lift capacity sticker	1	
E	534847020001	CE label	1	
F	941200300002	Sticker to read and follow these instructions	1	
G	941200300003	Filling sticker	1	
H	941200300018	Warning label	1	
I	941200100014	Warning label	1	
J	941200100009	Warning label	1	
L	941200100013	Warning label	1	
M	941200100010	Warning label	1	
N	941200100016	Warning label	1	

Fig. 3 Fork carriage

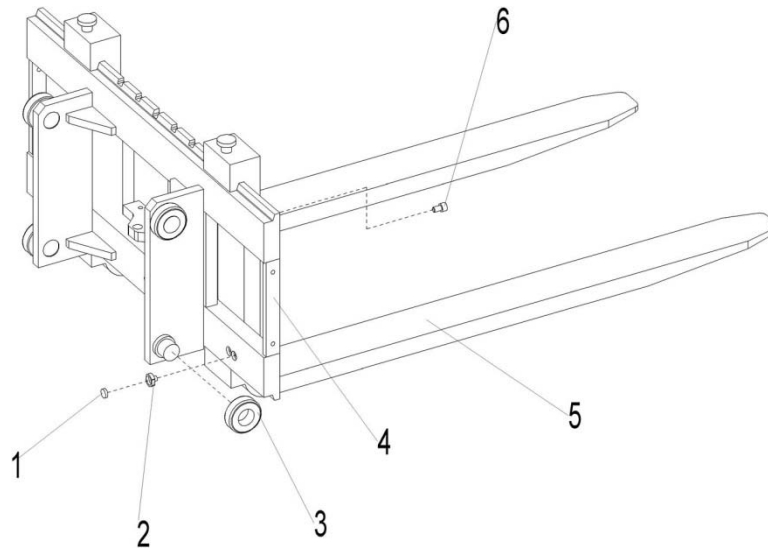


Fig. 3 Fork carriage

No.	Art No.	Description	Qty.	Note
1	940600100001	Magnetic steel	1	Φ 18x5
2	940600200001	Magnetic steel base	1	
3	940200300001	Compound roller	4	
4	534838010000	Fork carriage welding	1	Three stage full free mast
	534838010001	Fork carriage welding	1	Three stage standard mast
	534838010002	Fork carriage welding	1	Two stage full free mast
	534838010003	Fork carriage welding	1	Two stage standard mast
5	940100100010	Hook II A fork	2	
6	910200200074	Screw	3	M10x16

Fig. 4 Chassis assembly

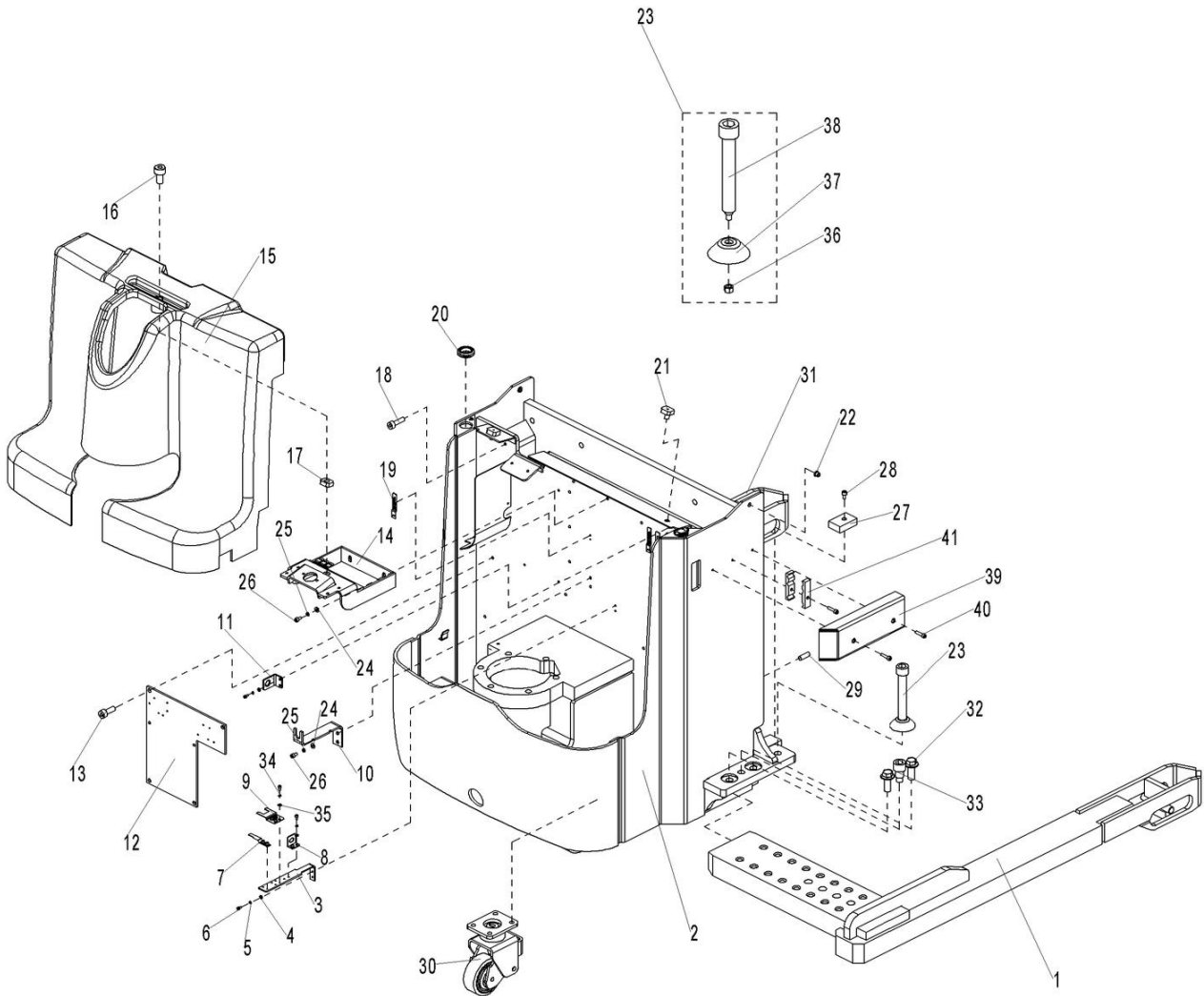


Fig. 4 Chassis assembly

No.	Art No.	Description	Qty.	Note
1	534821510002	Leg welding (Right)	1	
2	534821510000	Chassis welding	1	
3	534821520031	Mounting plate (Plug)	1	
4	910400100004	Flat washer	3	5
5	910400500004	Spring washer	3	5
6	910200200022	Screw	2	M5x12
7	921300300010	Connector base	1	
8	921300300003	Connector Fixing frame 4pins	1	
9	921300300015	Connector base	1	
10	534721520025	Fixing frame	1	
11	921300300002	Connector fixing frame 2 pins	1	
12	534821520029	Mounting plate	1	

13	910200200053	Screw	4	M8x12
14	534821510001	Mounting plate welding	1	
15	505021520003	Protective cover (Electrical box)	1	
16	941100100006	Screw	1	M10x45
17	940400400003	Floating nut	1	M10
18	910200200058	Screw	2	M8x25
19	921300300005	Connector 2 pins base	6	
20	505621520036	Protective bushing	1	
21	505938520016	Damping pad	2	
22	534721520023	Sleeve	2	
23	532621510013	Supporting components	2	
24	910400100006	Flat washer	4	8
25	910400500006	Spring washer	4	8
26	910200200055	Screw	4	M8x16
27	534721520024	Damping pad	2	60x40x18
28	910200300017	Screw	2	M6x12
29	910200800042	Screw	6	M16x40
30	505616510000	Support roller assembly	2	
31	534821510003	Leg welding (Left)	1	
32	910100800006	Bolt	12	M16x40
33	532621520047	Position pin	2	
34	910400500003	Spring washer	2	4
35	910400100003	Flat washer	2	4
36	910300500004	Nut	2	M8
37	532621520030	Supporting base	2	
38	532621520029	Screw	2	
39	534821510004	Protective cover welding	1	
40	910200200039	Screw	3	M6x30
41	534821520050	Fixing plate(hose)	2	

Fig. 5 Power supply (built-in charger)

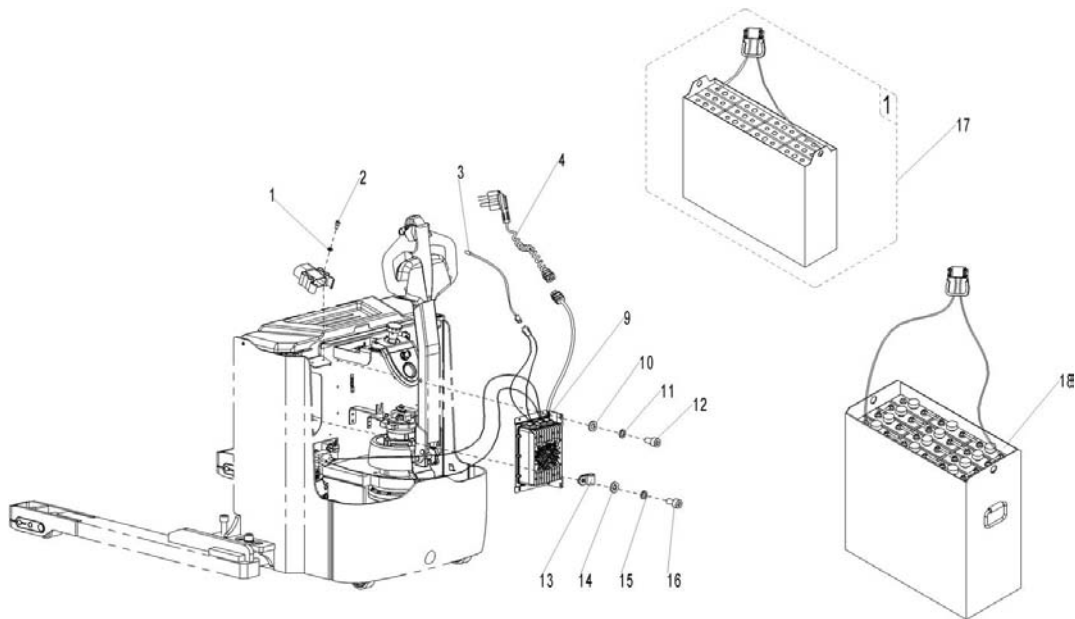


Fig. 5 Power supply (built-in charger)

No.	Art No.	Description	Qty.	Note
1	910400100005	Flat washer	2	6
2	910200200039	Screw	2	M6x30
3	922000100020	Light -750	1	
4	921500200031	Spring cord	1	US
	921500200008	Spring cord	1	Asia
	921500200005	Spring cord	1	EU
	921500200003	Spring cord	1	AUS
	921500200004	Spring cord	1	ENG
5	921000100046	Charger	1	WT24V35A
6	910400100005	Flat washer	4	6
7	910400500005	Spring washer	4	6
8	910200200033	Screw	4	M6x12
9	921300200001	Cable fixing part UC-1	4	
10	910400100003	Flat washer	4	4
11	910400500003	Spring washer	4	4
12	910200500034	Screw	4	M4x8
13	534737010000	Traction battery 24V-3VBS270	1	Weld type
14	534737010001	Traction battery 24V-3VBS270	1	Bolt type

Fig. 6 Instrument components

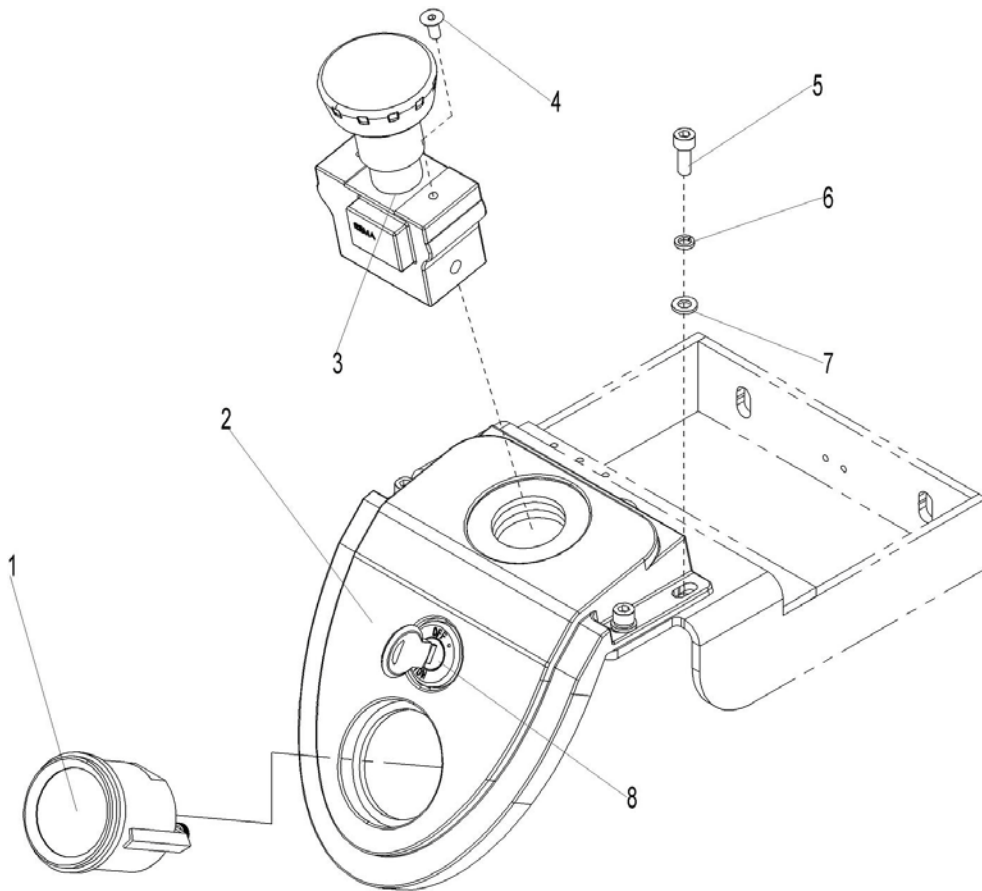


Fig. 6 Instrument components

No.	Art No.	Description	Qty.	Note
1	921100100012	Instrument	1	MDI-CAN-12V
2	504410020001	Protective cover (Instrument)	1	
3	920200100001	Emergency button	1	ZDK32-350
4	910200400011	Screw	2	M5x12
5	910200200035	Screw	4	M6x16
6	910400500005	Spring washer	4	6
7	910400100005	Flat washer	4	6
8	505634010000	Key switch	1	

Fig. 7 Battery cover assembly

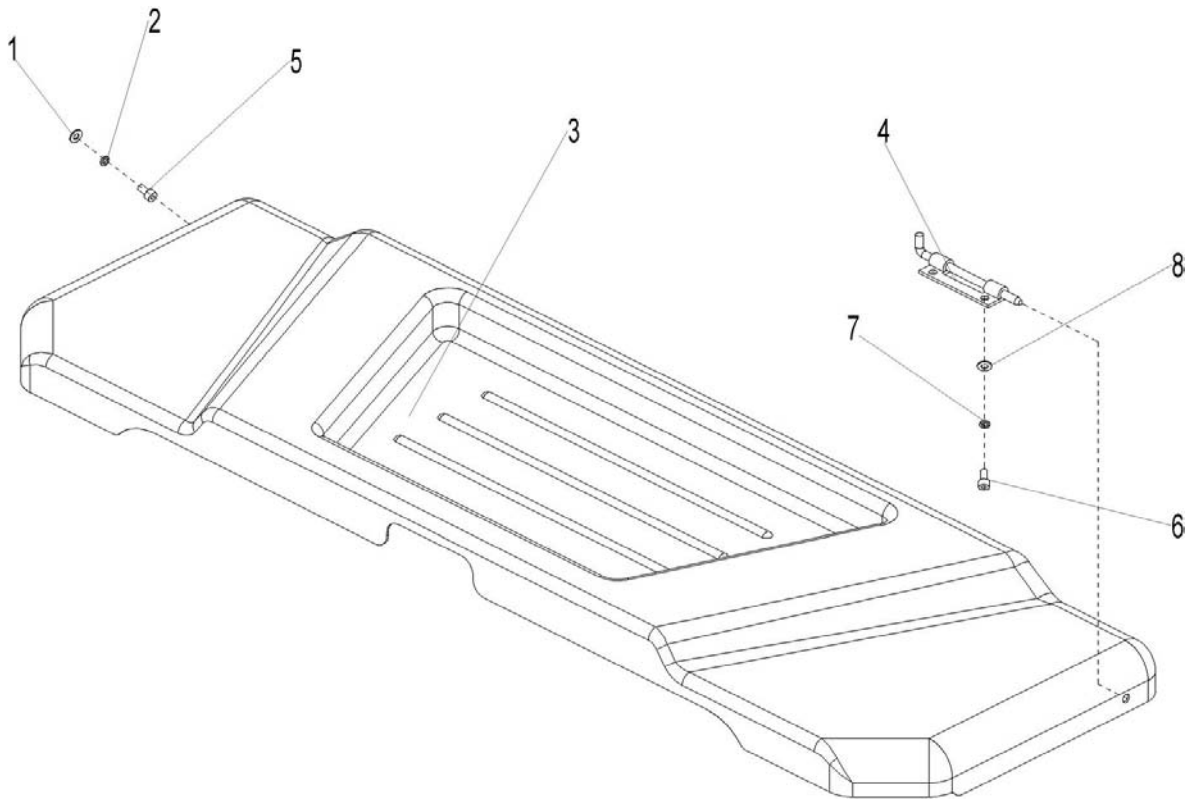


Fig. 7 Battery cover assembly

No.	Art No.	Description	Qty.	Note
1	910400100004	Flat washer	3	5
2	910400500004	Spring washer	3	5
3	534821010000	Battery cover welding	1	
4	940800900001	Pin	1	CL037
5	910200200024	Screw	1	M5x20
6	910200200013	Screw	2	M4x10
7	910400500003	Spring washer	2	4
8	910400100003	Flat washer	2	4

Fig. 8 Support wheel components

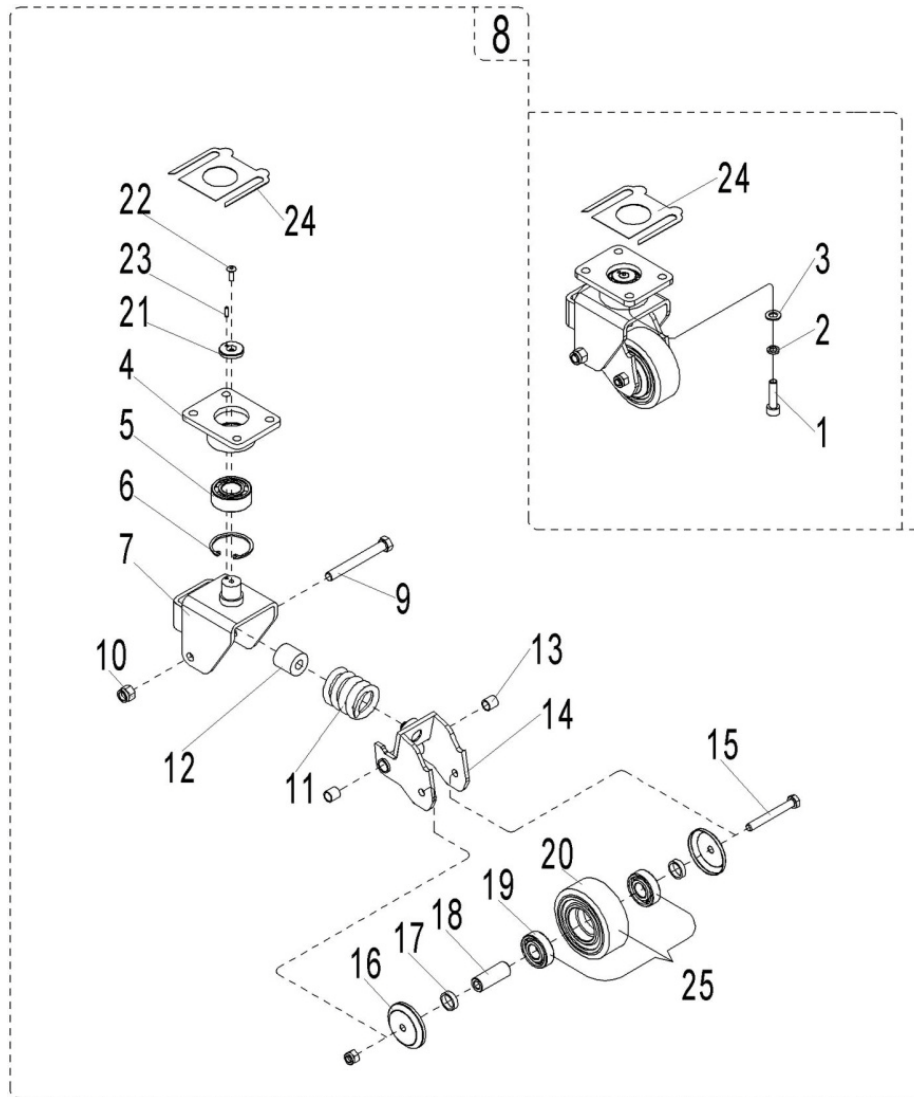


Fig. 8 Support wheel components

No.	Art No.	Description	Qty.	Note
1	910200200076	Screw	8	M10x25
2	910400500007	Spring washer	8	10
3	910400100007	Flat washer	8	10
4	505616510002	Connecting plate	2	
5	910700500002	Bearing	2	3205A-2RS
6	910401400016	Circlip	2	52
7	505616510001	Wheel frame welding	2	
8	505616510000	Support roller assembly	2	
9	941100200002	Bolt	2	M12x100
10	910300500006	Nut	2	M12

11	940400500007	Spring	2	Φ43XΦ9x62
12	505616520000	PU spring	2	
13	940500100002	Bushing	4	
14	505616510003	Rotate arm	2	
15	910100100038	Bolt	2	M10x80
16	505616520011	Dust cover	4	
17	505616520012	Circlip	4	
18	505616520013	Sleeve	2	
19	910700200019	Bearing	4	6204-2RS
20	940300300018	Roller	2	
21	505616520007	Circlip	2	
22	941100300001	Screw	2	M6x14
23	910600100004	Cylindrical pin	2	4x14
24	505616520014	Adjusting washer	Several	t=0.5~2.5
25	505698510000	Wheel set components	2	

Fig. 9 Three-stage mast system (full free lift)

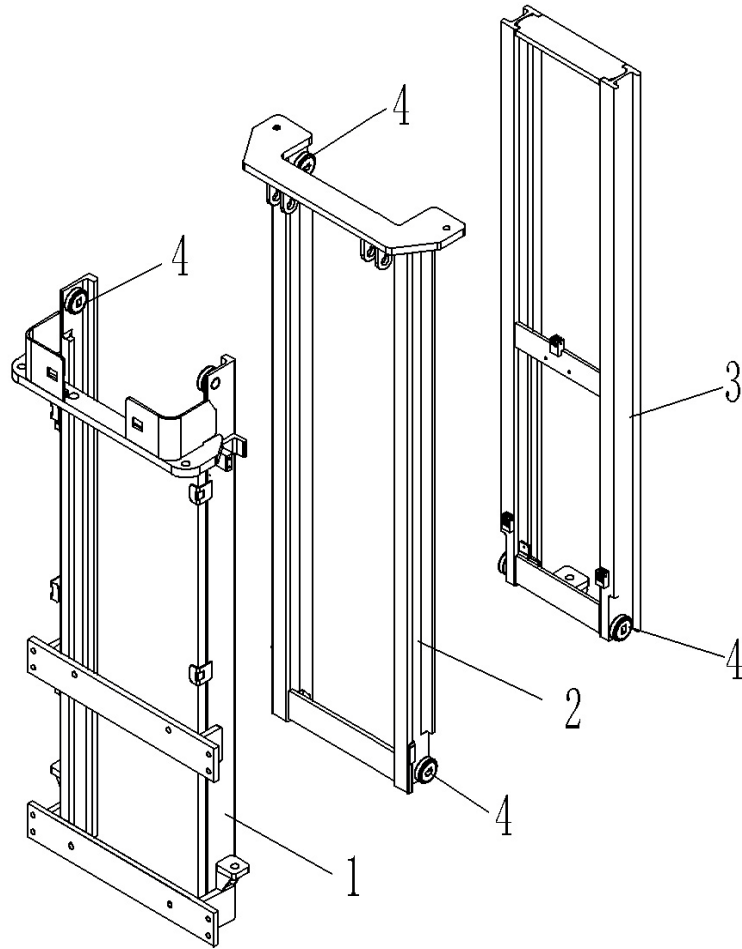


Fig. 9 Three-stage mast system (full free lift)

No.	Art No.	Description	Qty.	Note
1	534844510025	Outer mast welding		157
	534844510018	Outer mast welding		169
	534844510000	Outer mast welding		181
	534844510011	Outer mast welding		209
2	534744510040	Middle mast welding		157
	534744510038	Middle mast welding		169
	534744510031	Middle mast welding		181
	534744510036	Middle mast welding		209
3	534844510026	Inner mast welding		157
	534844510019	Inner mast welding		169
	534844510001	Inner mast welding		181
	534844510012	Inner mast welding		209
4	940200300004	Compound roller	8	

Fig. 10 Three-stage mast system (standard lift)

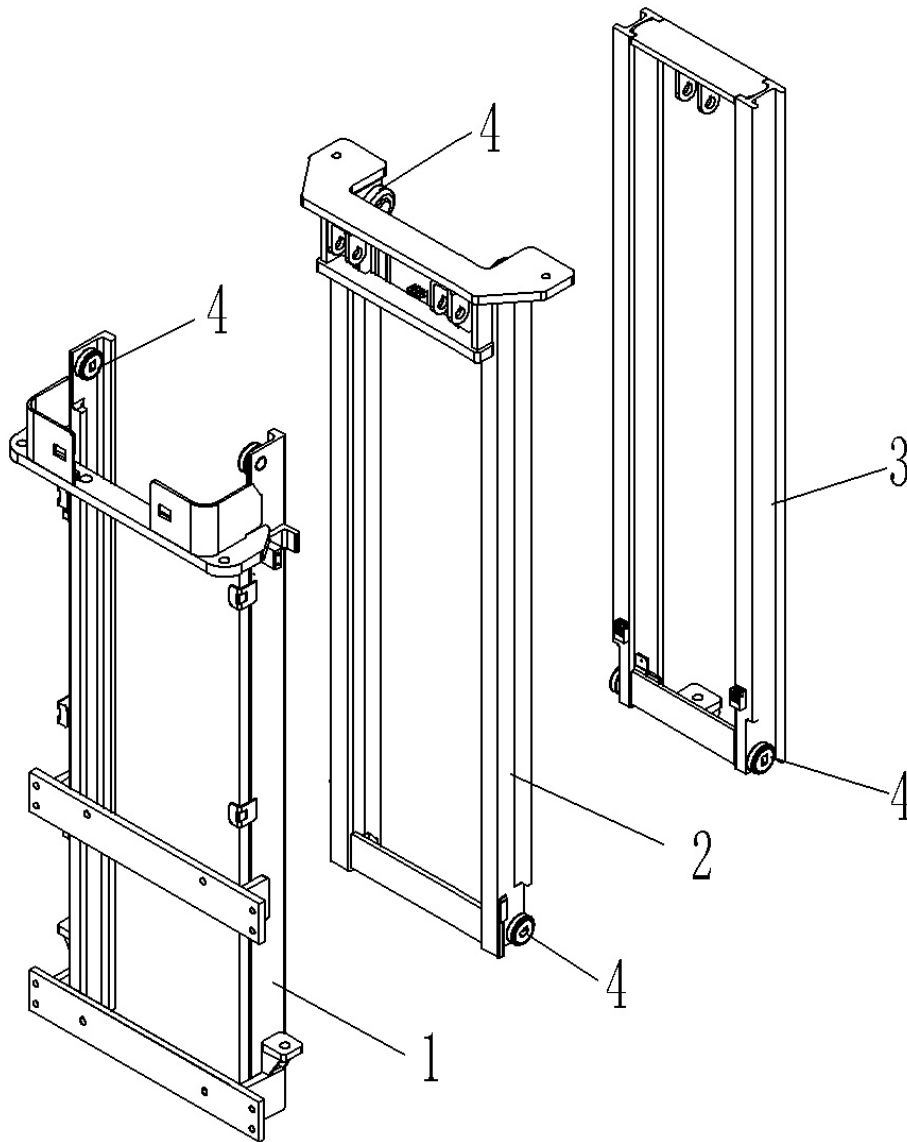


Fig. 10 Three-stage mast system (standard lift)

No.	Art No.	Description	Qty.	Note
1	534745010010	Outer mast welding	1	181
	534745010012	Outer mast welding	1	169
2	534745010011	Middle mast welding	1	181
	534745010013	Middle mast welding	1	169
3	534745010004	Inner mast welding	1	181
	534745010005	Inner mast welding	1	169
4	940200300004	Compound roller	8	

Fig. 11 Two-stage mast system (full free lift)

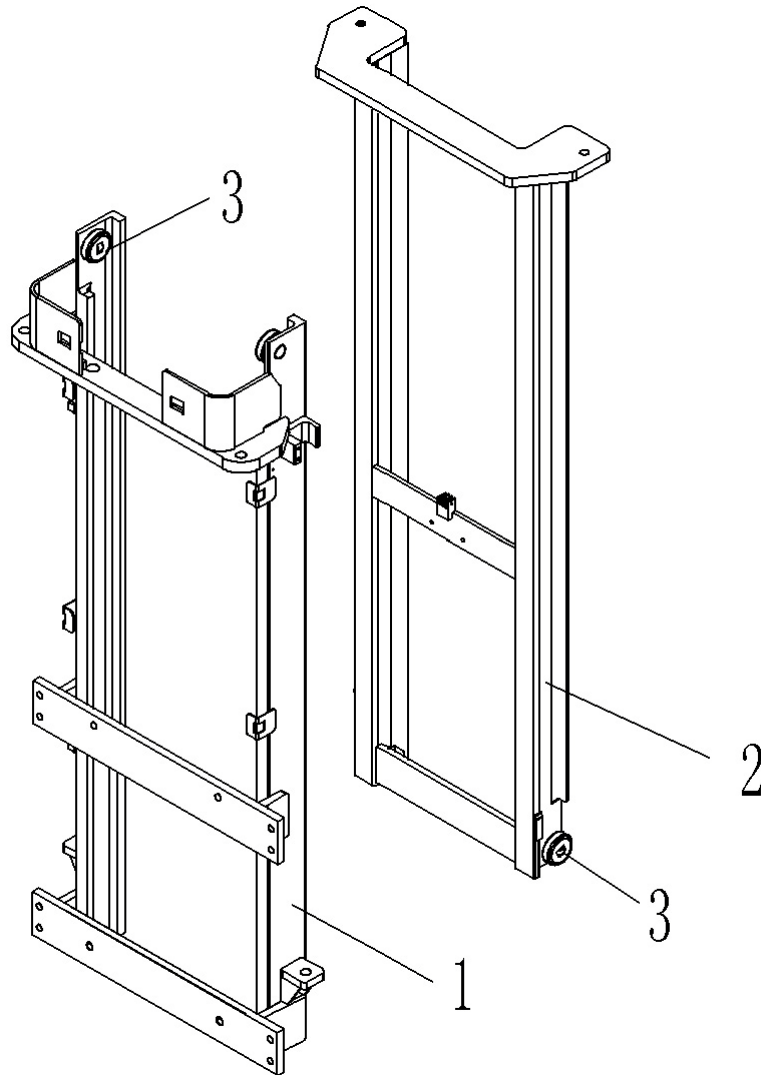


Fig. 11 Two-stage mast system (full free lift)

No.	Art No.	Description	Qty.	Note
1	534743510020	Outer mast welding	1	141
	534743510021	Outer mast welding	1	126
	534743510022	Outer mast welding	1	114
2	534743510023	Inner mast welding	1	141
	534743510024	Inner mast welding	1	126
	534743510025	Inner mast welding	1	114
3	940200300004	Compound roller	4	

Fig. 12 Two-stage mast system (standard lift)

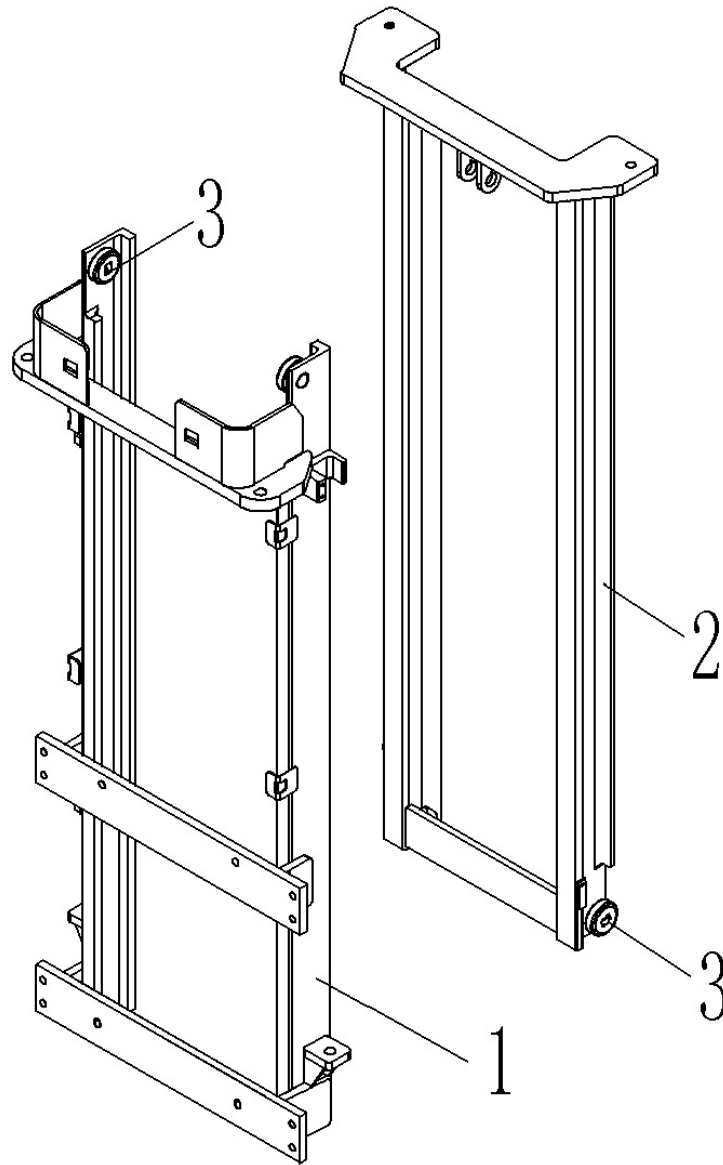


Fig. 12 Two-stage mast system (standard lift)

No.	Art No.	Description	Qty.	Note
1	534844010000	Outer mast welding	1	141
	534844010003	Outer mast welding	1	126
	534844010007	Outer mast welding	1	114
2	534744010014	Inner mast welding	1	141
	534744010015	Inner mast welding	1	126
	534744010016	Inner mast welding	1	114
3	940200300004	Compound roller	4	

Fig. 13 Three-stage full free lift mast chain system (side shift)

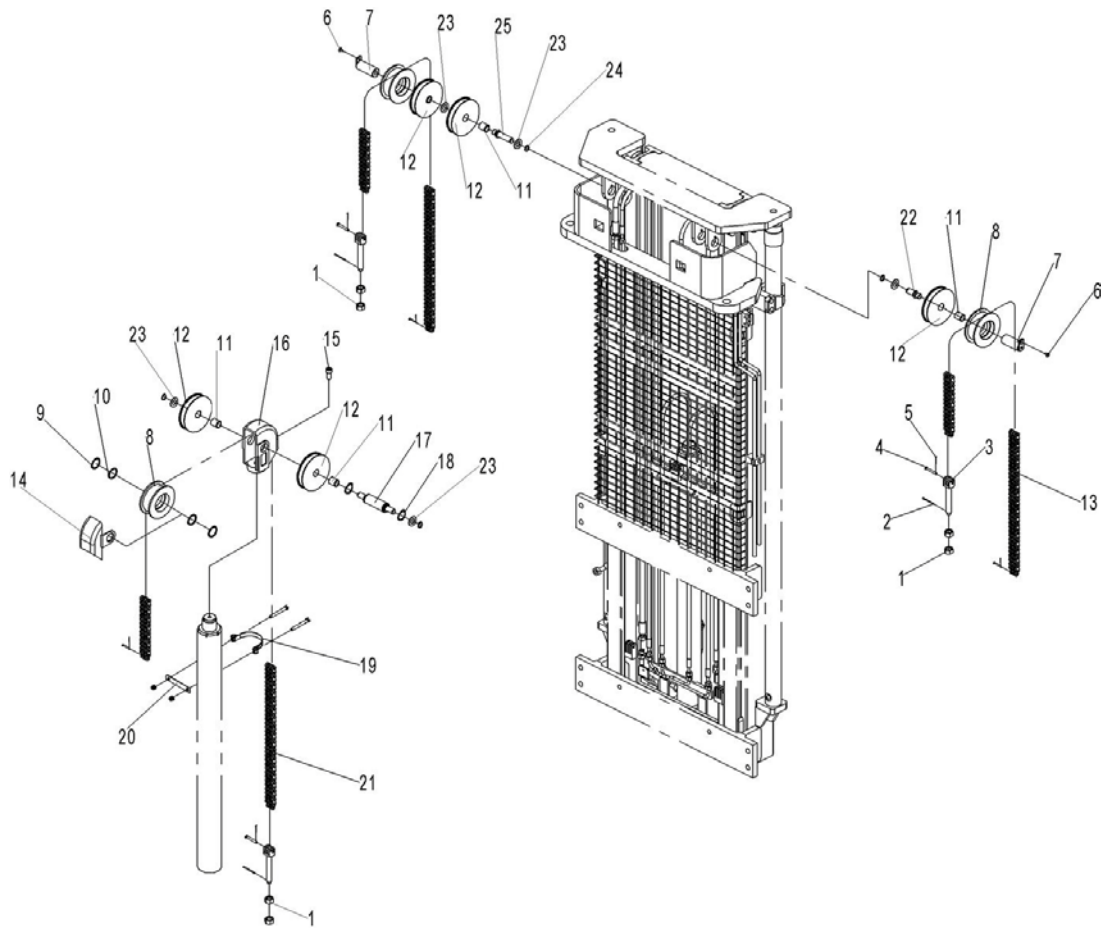


Fig. 13 Three-stage full free mast chain system (side shift)

No.	Art No.	Description	Qty.	Note
1	910300200008	Nut	6	M16x1.5
2	910600600032	Split pin	3	3.2x40
3	941300100008	Chain Bolt	3	M16x1.5x130
4	941100800006	Short axle	6	B6x45
5	910600600015	Split pin	6	2x20
6	910200400016	Screw	2	M6x12
7	533544510006	Axle with plate	2	
8	940200500010	Chain pulley bearing	3	
9	940600500008	Washer	6	Thickness 2

10	940600500009	Washer	6	Thickness 4
11	532644520028	Sleeve	1	
12	532644520032	Pulley	4	
13	534744510027	Chain LH1066-111	2	209
	534745010009	Chain LH1066-117	2	181
	534145010005	Chain LH1066-123	2	169
	534744010009	Chain LH1066-137	2	157
14	532644520036	Side cover	1	
15	910200200097	Screw	1	M12x25
16	532644520035	Pulley base	1	
17	534844520002	Wheel axle	1	
18	910401300016	Circlip	2	30
19	940800600002	Hoop components	1	Centre distance 96
20	534744520014	Washer	1	
21	532644510075	Chain LH1066-73	1	209
	532644510077	Chain LH1066-75	1	181
	251044510096	Chain LH1066-77	1	169
	532644510073	Chain LH1066-85	1	157
22	534844520003	Linking axle	1	
23	534844520008	Washer	4	Thickness 2
24	910401300007	Circlip	4	16
25	534844520004	Linking axle	1	

Fig. 14 Three-stage full free lift mast chain system (regular)

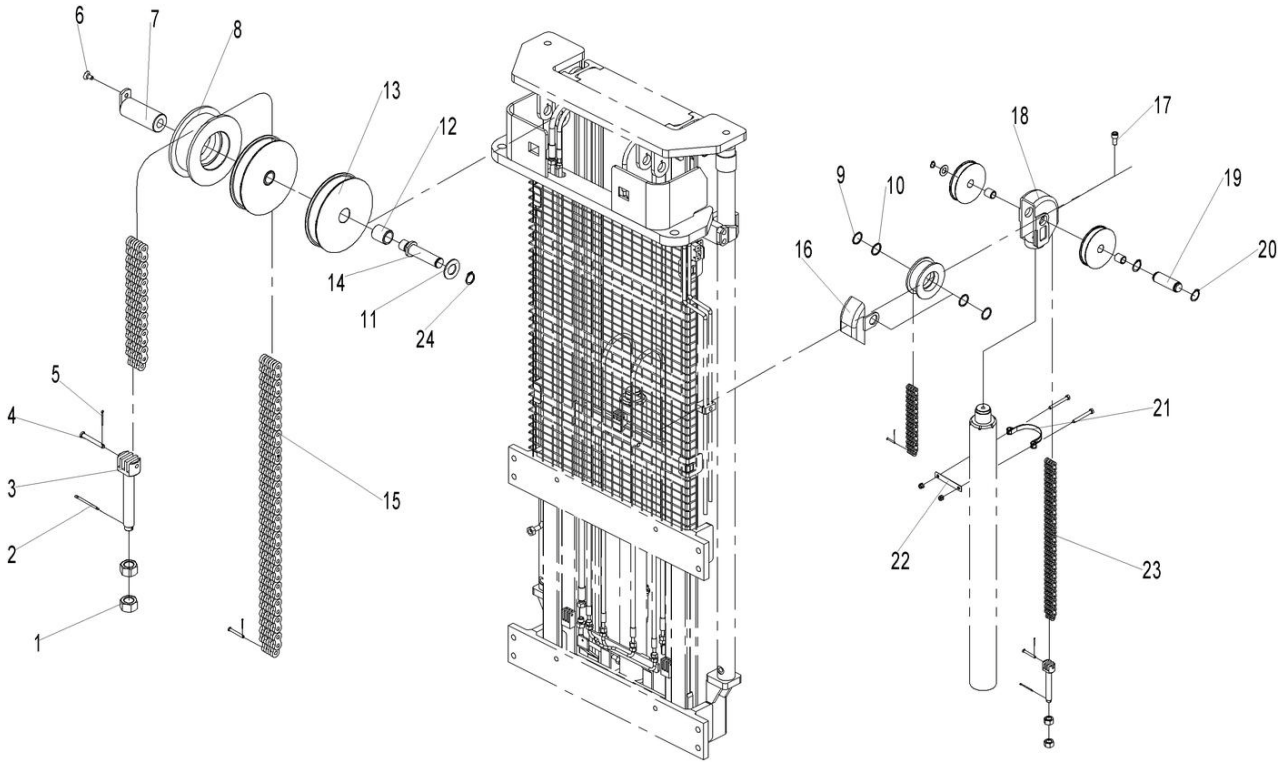


Fig. 14 Three-stage full free mast chain system (regular)

No.	Art No.	Description	Qty.	Note
1	910300200008	Nut	6	M16x1.5
2	910600600032	Split pin	3	3.2x40
3	941300100008	Chain bolt	3	M16x1.5x130
4	941100800006	Short axle	6	B6x45
5	910600600015	Split pin	6	2x20
6	910200400016	Screw	2	M6x12
7	533544510006	Plate with axle	2	
8	940200500010	Pulley bearing	3	
9	940600500008	Washer	6	Thickness 2
10	940600500009	Washer	6	Thickness 4
11	534844520008	Washer	1	
12	532644520028	Sleeve	1	

13	532644520032	Pulley	1	
14	534844520003	Linking axle	1	
15	534744510027	Chain LH1066-111	2	209
	534745010009	Chain LH1066-117	2	181
	534145010005	Chain LH1066-123	2	169
	534744010009	Chain LH1066-137	2	157
16	532644520036	Side cover	1	
17	910200200097	Screw	1	M12x25
18	532644520035	Pulley base	1	
19	532644520037	Wheel axle	1	
20	910401300016	Circlip	2	30
21	940800600002	Hoop components	1	Centre distance 96
22	534744520014	Washer	1	
23	532644510073	Chain LH1066-85	1	209
	251044510096	Chain LH1066-77	1	181
	532644510077	Chain LH1066-75	1	169
	532644510075	Chain LH1066-73	1	157
24	910401300007	Circlip	1	16

Fig. 15 Three-stage standard lift mast chain system

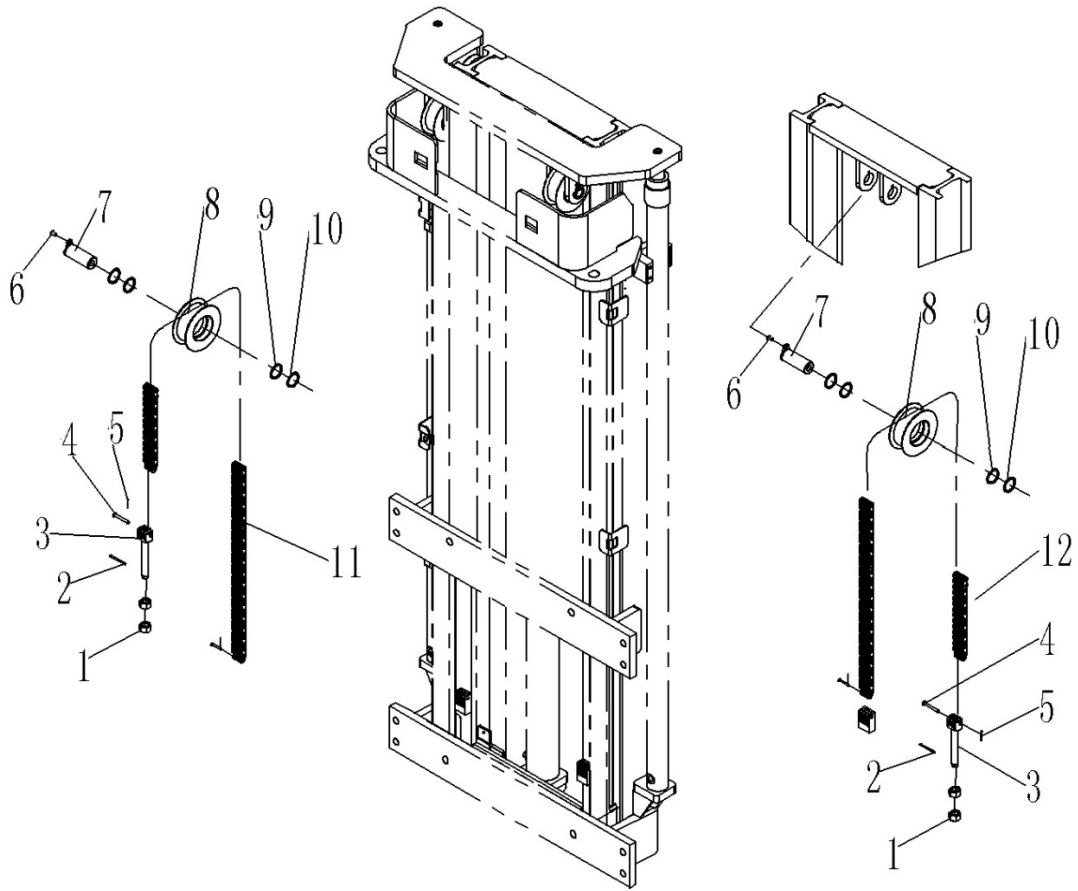


Fig. 15 Three-stage standard mast chain system

No.	Art No.	Description	Qty.	Note
1	910300200008	Nut	6	M16x1.5
2	910600600032	Split pin	3	3.2x40
3	941300100008	Chain bolt	3	M16x1.5x130
4	941100800006	Short axle	6	B6x45
5	910600600015	Split pin	6	2x20
6	910200400016	Screw	3	M6x12
7	533544510006	Plate with axle	3	
8	940200500010	Pulley bearing	3	
9	940600500008	Washer	6	Thickness 2
10	940600500009	Washer	6	Thickness 4
11	534145010005	Chain LH1066-123	2	181
	534745010009	Chain LH1066-117	2	169
12	534745010008	Chain LH1066-119	1	181
	535044510020	Chain LH1066-113	1	169

Fig. 16 Two-stage full free lift mast chain system

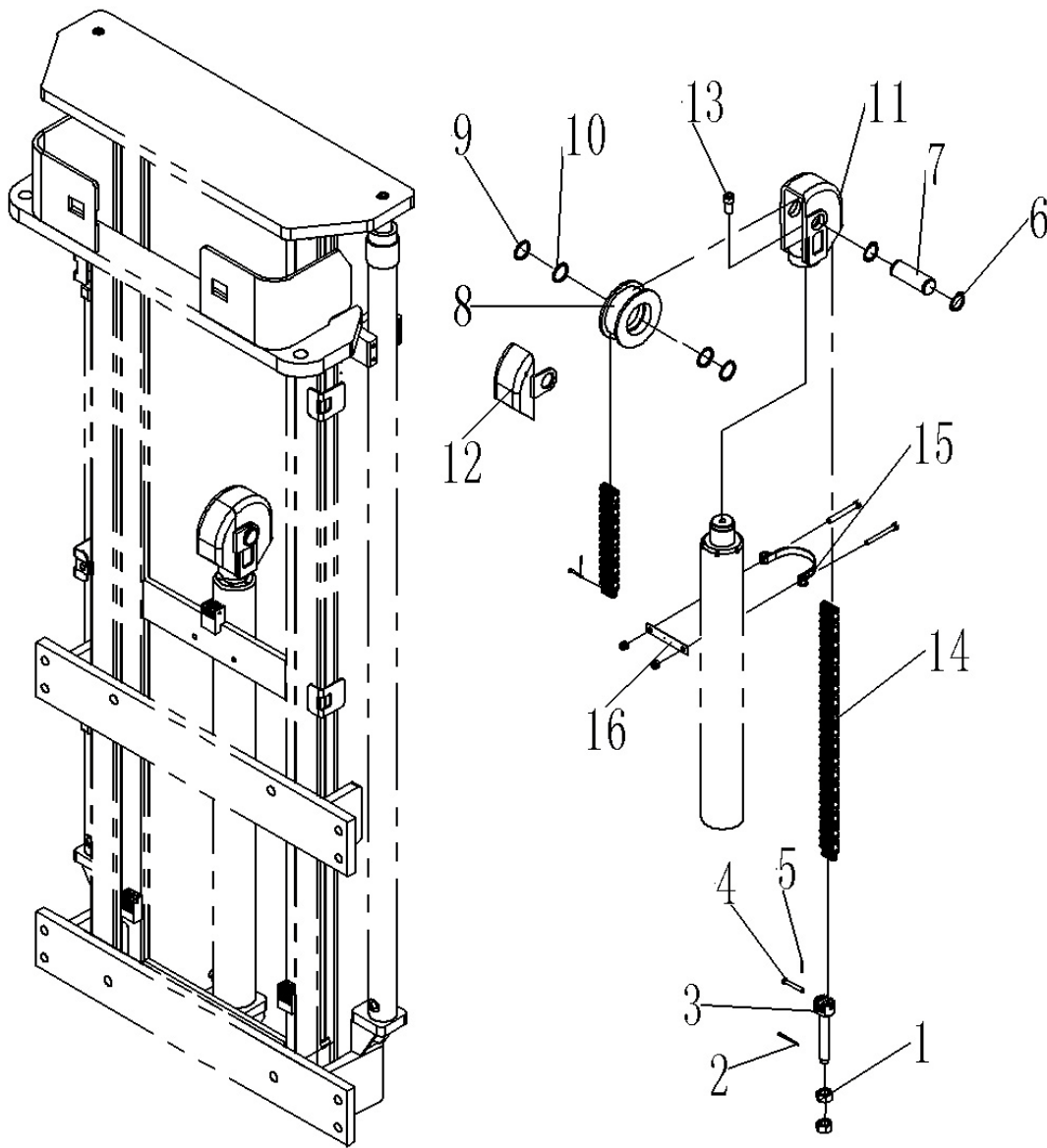


Fig. 16 Two-stage full free mast chain system

No.	Art No.	Description	Qty.	Note
1	910300200008	Nut	2	M16x1.5
2	910600600032	Split pin	1	3.2x40
3	941300100008	Chain bolt	1	M16x1.5x130
4	941100800006	Short axle	2	B6x45
5	910600600015	Split pin	2	2x20
6	910401300016	Circlip	2	30
7	532644520037	Wheel axle	1	
8	940200500010	Pulley bearing	1	

9	940600500008	Washer	2	Thickness 2
10	940600500009	Washer	2	Thickness 4
11	532644520035	Pulley base	1	
12	532644520036	Side cover	1	
13	910200200097	Screw	1	M12x25
14	532644510073	Chain LH1066-85	1	141
	532644510083	Chain LH1066-79	1	126
	532644510077	Chain LH1066-75	1	114
15	940800600002	Hoop components	1	Centre distance 96
16	534744520014	Washer	1	

Fig. 17 Two-stage standard lift mast chain system (side shift)

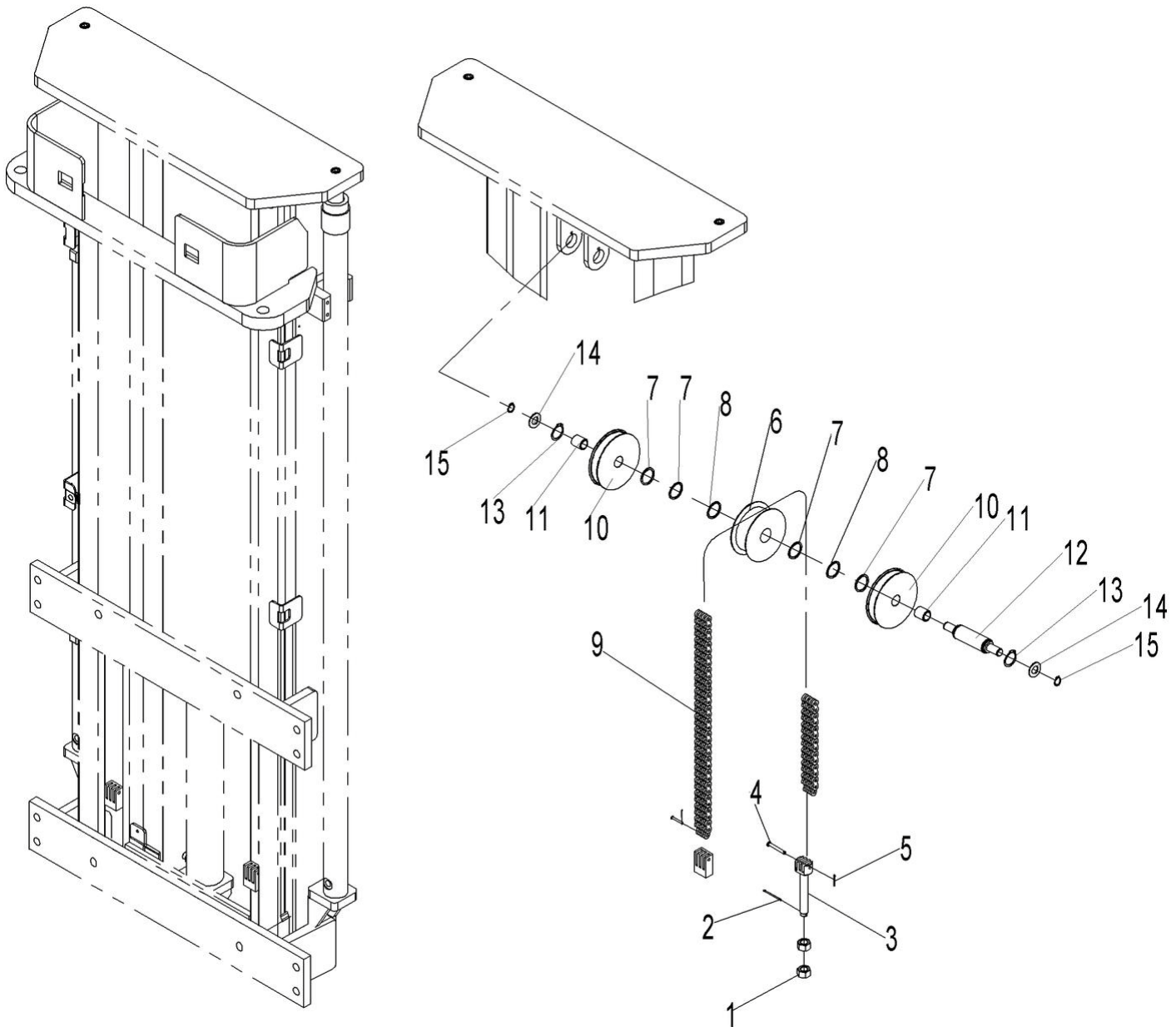


Fig. 17 Two-stage standard lift mast chain system (side shift)

No.	Art No.	Description	Qty.	Note
1	910300200008	Nut	2	M16x1.5
2	910600600032	Split pin	2	3.2x40
3	941300100008	Chain bolt	1	M16x1.5 x130
4	941100800006	Short axle	2	B6x45
5	910600600015	Split pin	1	2x20

6	940200500010	Pulley bearing	1	
7	940600500008	Washer	4	Thickness 2
8	940600500009	Washer	2	Thickness 4
9	534744010010	Chain LH1066-115	1	114
	532944010015	Chain LH1066-125	1	126
	534744010009	Chain LH1066-137	1	141
10	532644520032	Pulley	2	
11	532644520028	Sleeve	2	
12	534844520002	Wheel axle	1	
13	910401300016	Circlip	2	30
14	534844520008	Washer	2	Thickness 2
15	910401300007	Circlip	2	16

Fig. 18 Two-stage standard lift mast chain system (regular)

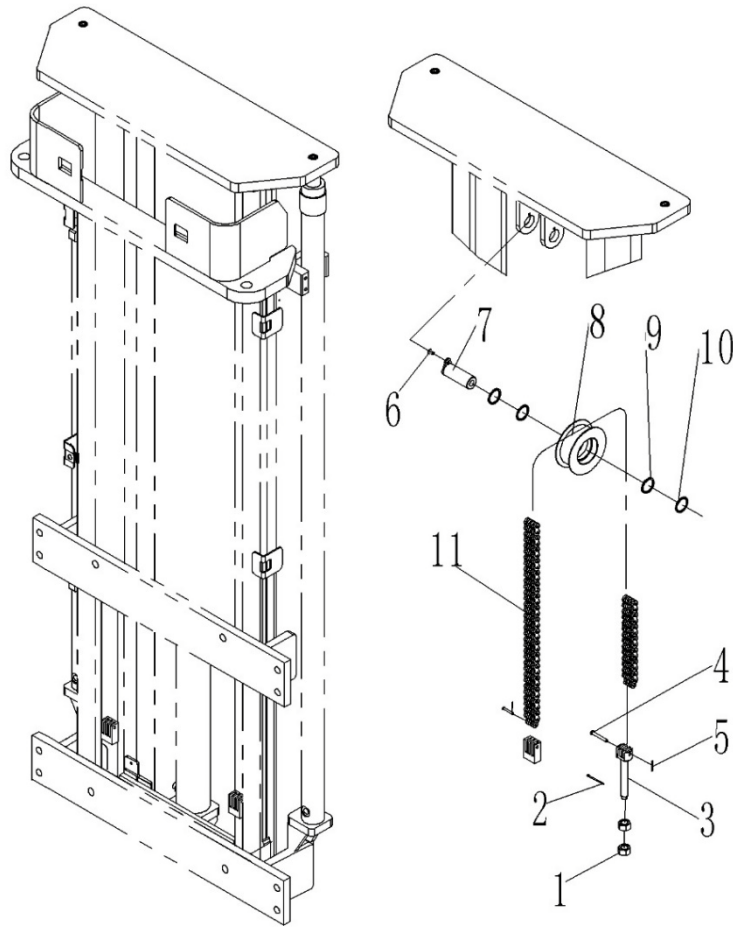


Fig. 18 Two-stage standard lift mast chain system (regular)

No.	Art No.	Description	Qty.	Note
1	910300200008	Nut	2	M16x1.5
2	910600600032	Split pin	2	3.2x40
3	941300100008	Chain bolt	1	M16x1.5x130
4	941100800006	Short axle	2	B6x45
5	910600600015	Split pin	1	2x20
6	910200400016	Screw	1	M6x12
7	533544510006	Plate with axle	1	
8	940200500010	Pulley bearing	1	
9	940600500008	Washer	2	Thickness 2
10	940600500009	Washer	2	Thickness 4
11	534744010009	Chain LH1066-137	1	141
	532944010015	Chain LH1066-125	1	126
	534744010010	Chain LH1066-115	1	114

Fig. 19 Other parts of mast

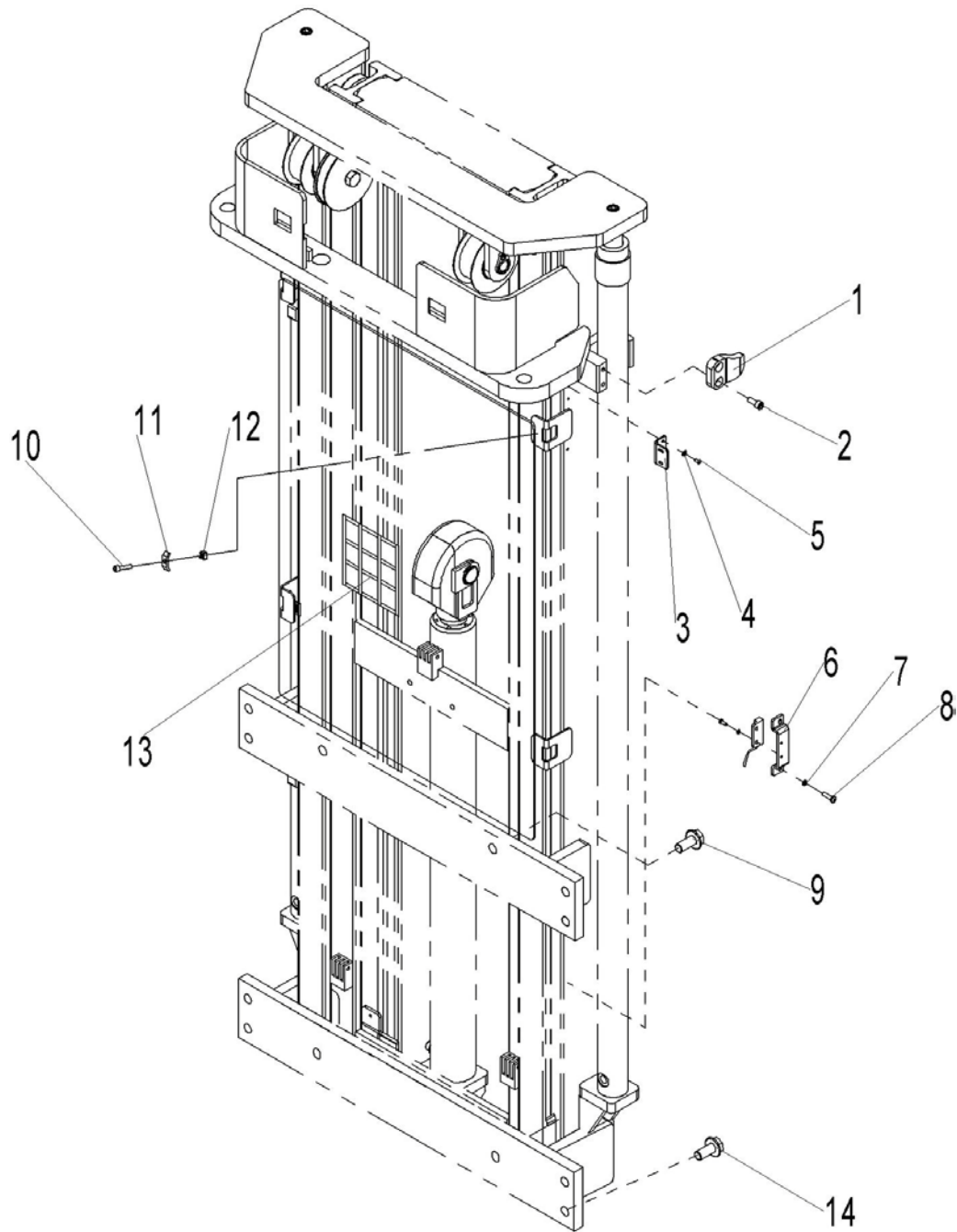


Fig. 19 Other parts of mast

No.	Art No.	Description	Qty.	Note
1	275044020076	Metal plate	2	
2	910200200057	Screw	4	M8x20
3	534744520036	Fixing plate	1	
4	910400100003	Flat washer	2	4
5	910200300005	Screw	2	M4x8
6	534744520059	Protective cover	2	
7	910400500003	Spring washer	4	4
8	910200200014	Screw	4	M4x12
9	910100800005	Bolt	4	M16x35
10	910200200038	Screw	4 or 6	M6x25
11	320443020321	Metal plate	4 or 6	
12	940801500001	Nut	4 or 6	M6
13	534444020020	Protective mesh	1	141/209
	534444020021	Protective mesh	1	126/181
	534444020022	Protective mesh	1	114/169
	534444520000	Protective mesh	1	157
14	910100800006	Bolt	8	M16x40

Fig. 20 Three-stage full free lift hydraulic system (side shift)

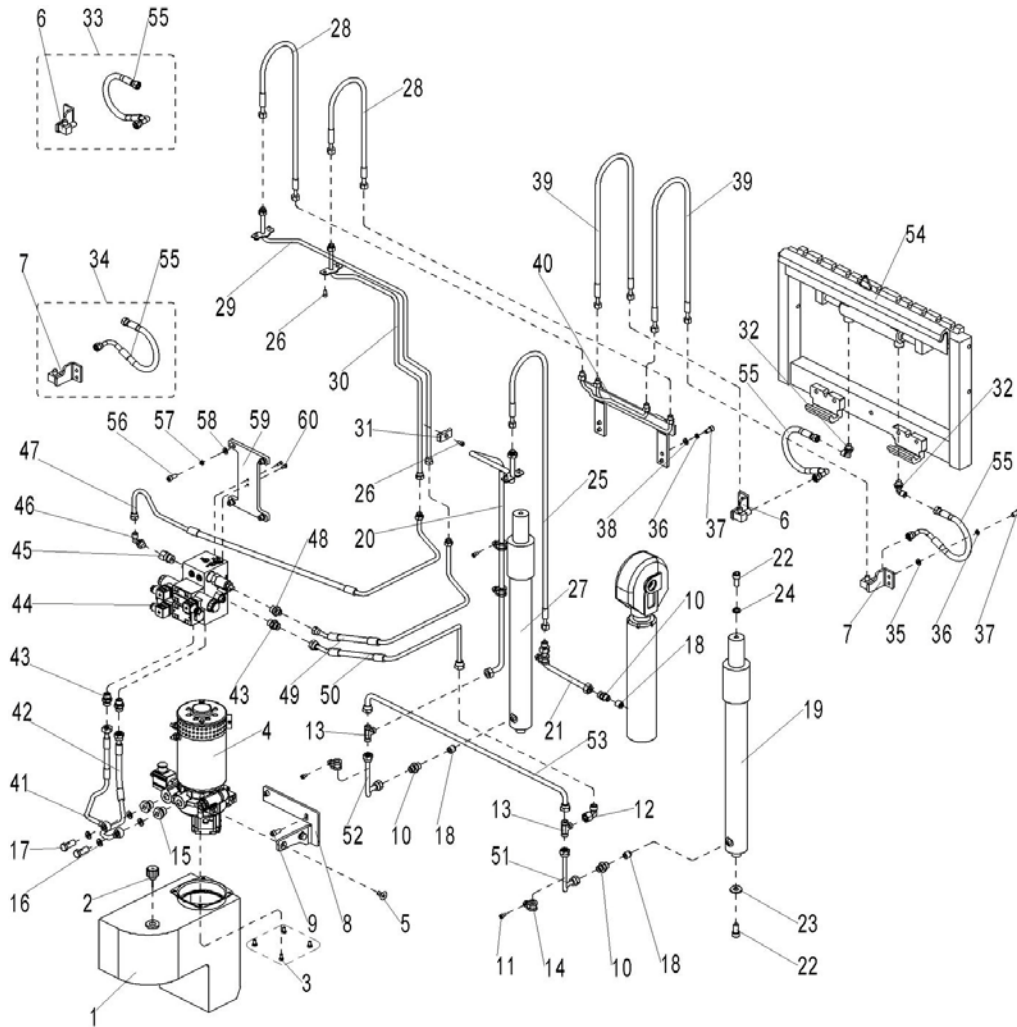


Fig. 20 Three-stage full free lift hydraulic system (side shift)

No.	Art No.	Description	Qty.	Note
1	534819010000	Oil tank	1	
2	951100200001	Vent plug	1	M18x1.5
3	910100300009	Bolt	4	M6x12
4	950900100015	Hydraulic power unit	1	
5	910200400035	Joint	2	M10x20
6	534844510032	Joint welding (left)	1	
7	534844510033	Joint welding (right)	1	
8	534824020001	Fixing plate	1	
9	910200200057	Screw	3	M8x20
10	950400400003	Joint	3	

11	910200200045	Screw	5	M6x6
12	950400200003	Joint	1	
13	950400700002	Joint	2	
14	951000100001	Clamp YGE Rubber	5	12
15	950401200004	Joint	2	
16	910800900003	Washer	4	
17	911300300001	Hinge bolt	2	G1/4x28.5
18	950600300001	Safety valve	3	M16x1.5
19	534744510019	Cylinder	2	157
	534744510017	Cylinder	2	169
	534744510016	Cylinder	2	181
	534744510018	Cylinder	2	209
20	534844510027	Hydraulic pipe welding	1	
	534844510020	Hydraulic pipe welding	1	
	534844510006	Hydraulic pipe welding	1	
	534844510013	Hydraulic pipe welding	1	
21	534844510002	Hydraulic pipe welding	1	
22	910200200097	Screw	4	M12x25
23	534744520015	Washer	2	
24	910400500008	Spring washer	2	12
25	534744520043	Hydraulic hose assembly	2	157
	532644520143	Hydraulic hose assembly	2	169
	532644520144	Hydraulic hose assembly	2	181
	534744520042	Hydraulic hose assembly	2	209
26	910200200033	Screw	7	M6x12
27	534744510015	Cylinder (M)	1	157
	534744510013	Cylinder (M)	1	169
	534744510012	Cylinder (M)	1	181
	534744510014	Cylinder (M)	1	209
28	534844510030	Hydraulic hose assembly	2	157
	534844510023	Hydraulic hose assembly	2	169
	534844510005	Hydraulic hose assembly	2	181
	534844510016	Hydraulic hose assembly	2	209
29	534844510029	Hydraulic pipe welding	1	157
	534844510022	Hydraulic pipe welding	1	169
	534844510007	Hydraulic pipe welding	1	181
	534844510015	Hydraulic pipe welding	1	209
30	534844510028	Hydraulic pipe welding	1	157
	534844510021	Hydraulic pipe welding	1	169
	534844510008	Hydraulic pipe welding	1	181
	534844510014	Hydraulic pipe welding	1	209
31	534844520007	Metal plate	1	
32	950401100002	Joint	2	
33	534898510001	hydraulic pipe (left)	1	
34	534898510002	hydraulic pipe (right)	1	

35	910400100005	Flat washer	4	6
36	910400500005	Spring washer	8	6
37	910200200035	Screw	8	M6x16
38	910400200002	Washer	4	6
39	534844510031	Hydraulic hose assembly	2	157
	534844510024	Hydraulic hose assembly	2	169
	534844510004	Hydraulic hose assembly	2	181
	534844510017	Hydraulic hose assembly	2	209
40	534844510003	Hydraulic pipe welding	1	
41	534824010000	Hydraulic hose assembly	1	
42	534824010001	Hydraulic hose assembly	1	
43	950400300007	Joint	3	
44	950600100014	Hydraulic valve group	1	
45	950401200003	Joint	1	
46	950401100002	Joint	1	
47	534824010002	Hydraulic pipe welding	1	
48	950400300004	Joint	1	
49	534824010003	Hydraulic pipe welding	1	
50	534824010004	Hydraulic pipe welding	1	
51	534724010006	Hydraulic pipe welding	1	
52	534724010005	Hydraulic pipe welding	1	
53	534724010000	Hydraulic pipe welding	1	
54	940100200001	Side shift	1	4409 lbs
55	534844010014	Hydraulic pipe	2	
56	910200200058	Joint	4	M8x25
57	910400500006	Spring washer	4	8
58	910400100006	Screw	4	8
59	534824020000	Mounting plate	1	
60	910200200021	Joint	2	M5x10

Fig. 21 Three-stage full free lift hydraulic system (regular)

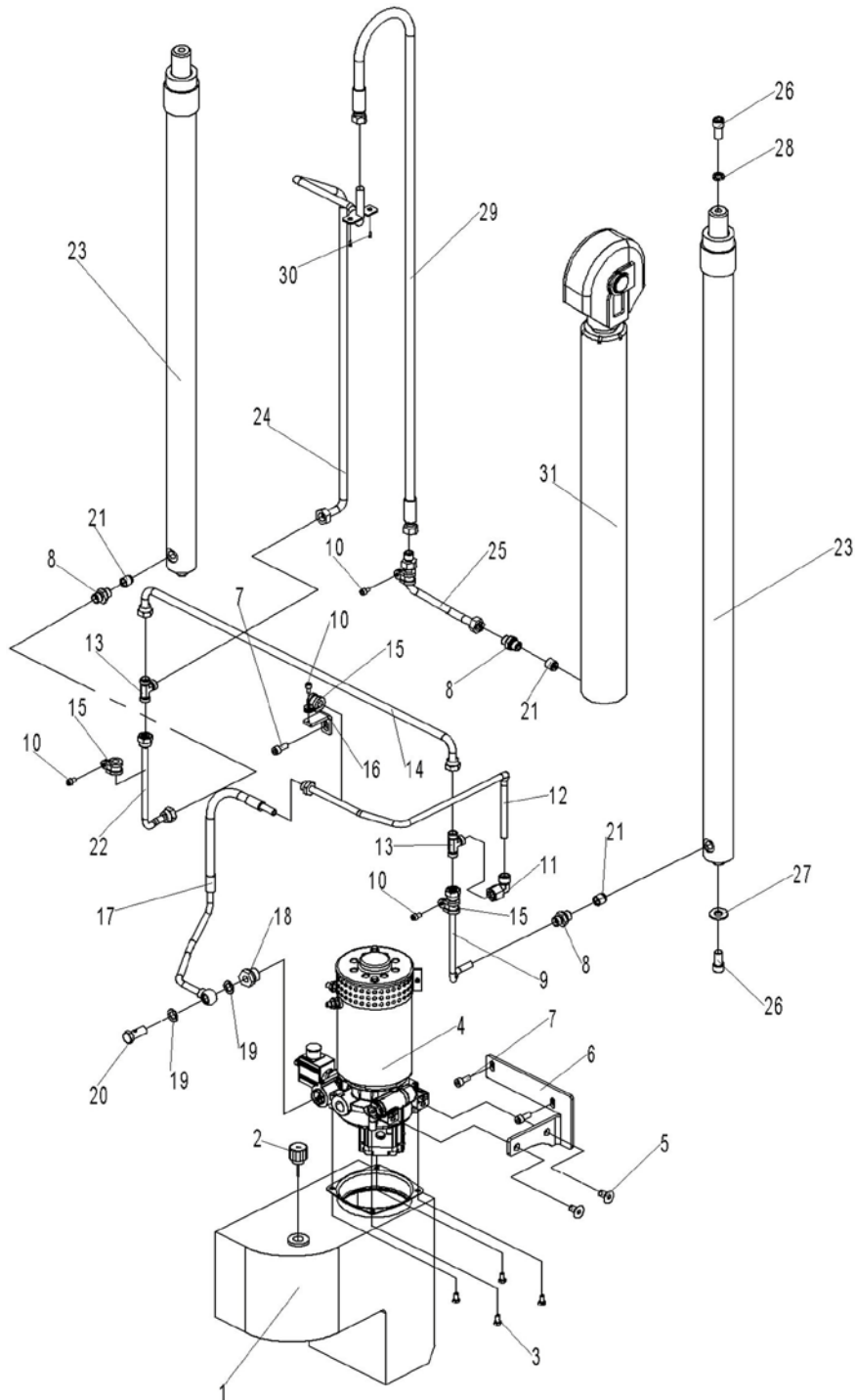


Fig. 21 Three-stage full free lift hydraulic system (regular)

No.	Art No.	Description	Qty.	Note
1	534819010000	Oil tank	1	
2	951100200001	Vent plug	1	M18x1.5
3	910100300009	Bolt	4	M6x12
4	950900100015	Hydraulic power unit	1	24V3.2KW4.0cc

5	910200400035	Joint	2	M10x20
6	534824020001	Fixing plate	1	
7	910200200057	Screw	3	M8x20
8	950400400003	Joint	3	
9	534724010006	Hydraulic pipe welding	1	
10	910200200045	Screw	5	M6x6
11	950400200003	Joint	1	
12	534824010006	Hydraulic pipe welding	1	
13	950400700002	Joint	2	
14	534724010000	Hydraulic pipe welding	1	
15	951000100001	Clamp YGE Rubber	5	12
16	534824020002	Fixing plate	1	
17	534824010005	Hydraulic hose assembly	1	
18	950401200004	Joint	1	G1/2-G1/4
19	910800900003	Combination washer	2	14
20	911300300001	Hinge bolt	1	G1/4x28.5
21	950600300001	Safety valve	3	M16x1.5
22	534724010005	Hydraulic pipe welding	1	
23	534744510019	Cylinder	1	209
	534744510017	Cylinder	1	181
	534744510016	Cylinder	1	169
	534744510018	Cylinder	1	157
24	534844510027	Hydraulic pipe welding	1	209
	534844510020	Hydraulic pipe welding	1	181
	534844510006	Hydraulic pipe welding	1	169
	534844510013	Hydraulic pipe welding	1	157
25	534844510002	Hydraulic pipe welding	1	
26	910200200097	Screw	4	M12x25
27	534744520015	Washer	2	
28	910400500008	Spring washer	2	12
29	534744520043	Hydraulic hose assembly	1	157
	532644520143	Hydraulic hose assembly	1	169
	532644520144	Hydraulic hose assembly	1	181
	534744520042	Hydraulic hose assembly	1	209
30	910200200033	Screw	2	M6x12
31	534744510015	Cylinder (M)	1	209
	534744510013	Cylinder (M)	1	181
	534744510012	Cylinder (M)	1	169
	534744510014	Cylinder (M)	1	157

Fig. 22 Three-stage standard lift hydraulic system

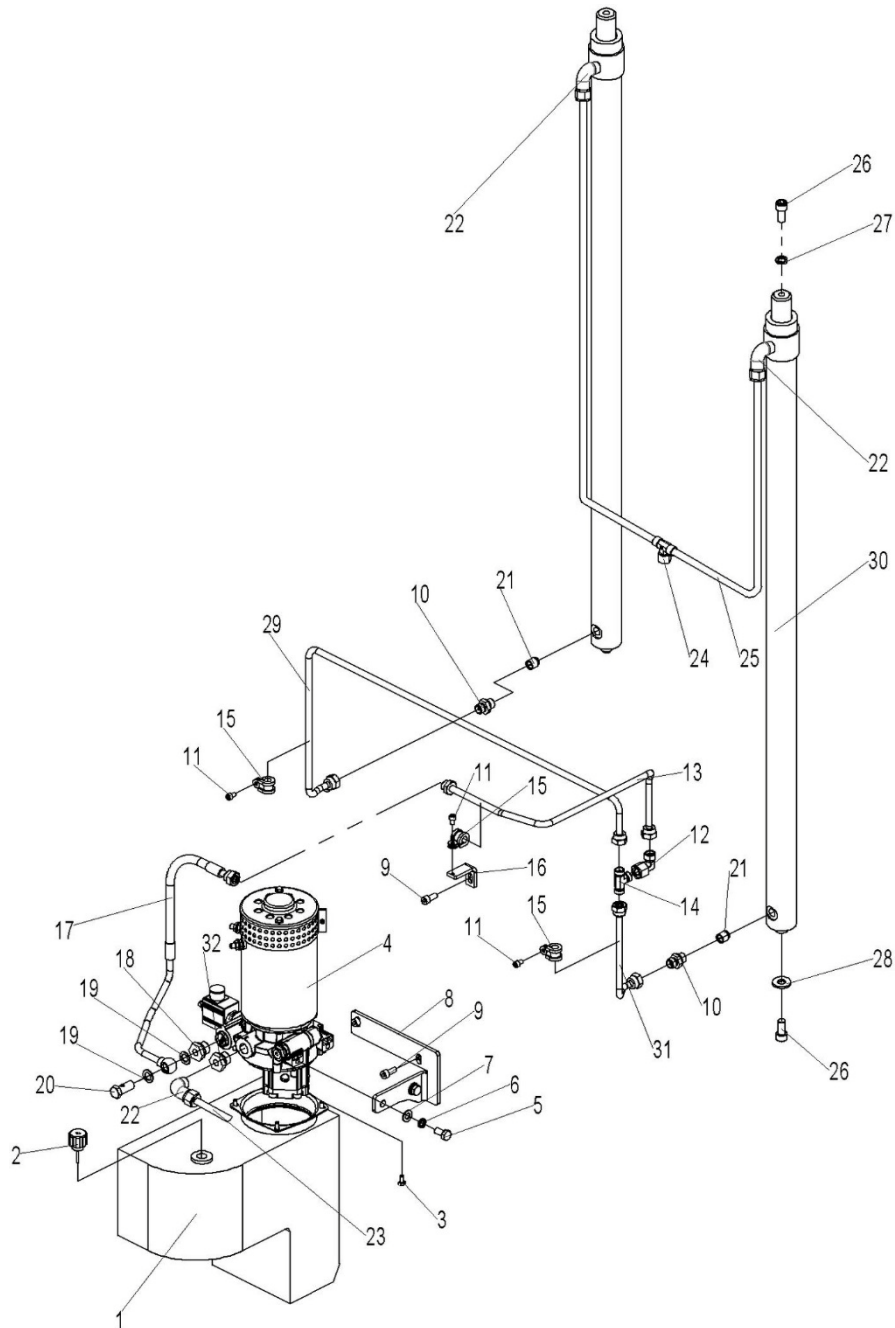


Fig. 22 Three-stage standard lift hydraulic system

No.	Art No.	Description	Qty.	Note
1	534819010000	Oil tank	1	
2	951100200001	Vent plug	1	M18x1.5
3	910100300009	Bolt	4	M6x12

4	950900100015	Hydraulic power unit	1	
5	910100300035	Bolt	2	M10x20
6	910400500007	Spring washer	2	10
7	910400100007	Flat washer	2	10
8	534824020001	Fixing plate	1	
9	910200200057	Screw	3	M8x20
10	950400400003	Joint	3	
11	910200200045	Screw	5	M6x6
12	950400200003	Joint	1	
13	534824010006	Hydraulic pipe welding	1	
14	950400700002	Joint	1	
15	951000100001	Clamp YGE rubber	5	12
16	534824020002	Fixing plate	1	
17	534824010005	Hydraulic hose assembly	1	
18	950401200004	Joint	1	
19	910800900003	Combination washer	1	
20	911300300001	Hinge bolt	1	G1/4x28.5
21	950600300001	Safety valve	3	M16x1.5
22	950500100001	Joint	3	
23	535924020002	Oil return pipe	1	
24	950500200001	Joint	1	
25	534745020002	Oil return pipe	2	
26	910200200097	Screw	4	M12x25
27	910400500008	Spring washer	2	12
28	534744520015	Washer (Cylinder fixing)	2	
29	534824010007	Hydraulic pipe welding	1	
30	534745010006	Cylinder	2	181
	534745010007	Cylinder	2	169
31	534724010006	Hydraulic pipe welding	1	
32	534824020003	Joint	1	

Fig. 23 Two-stage full free lift hydraulic system

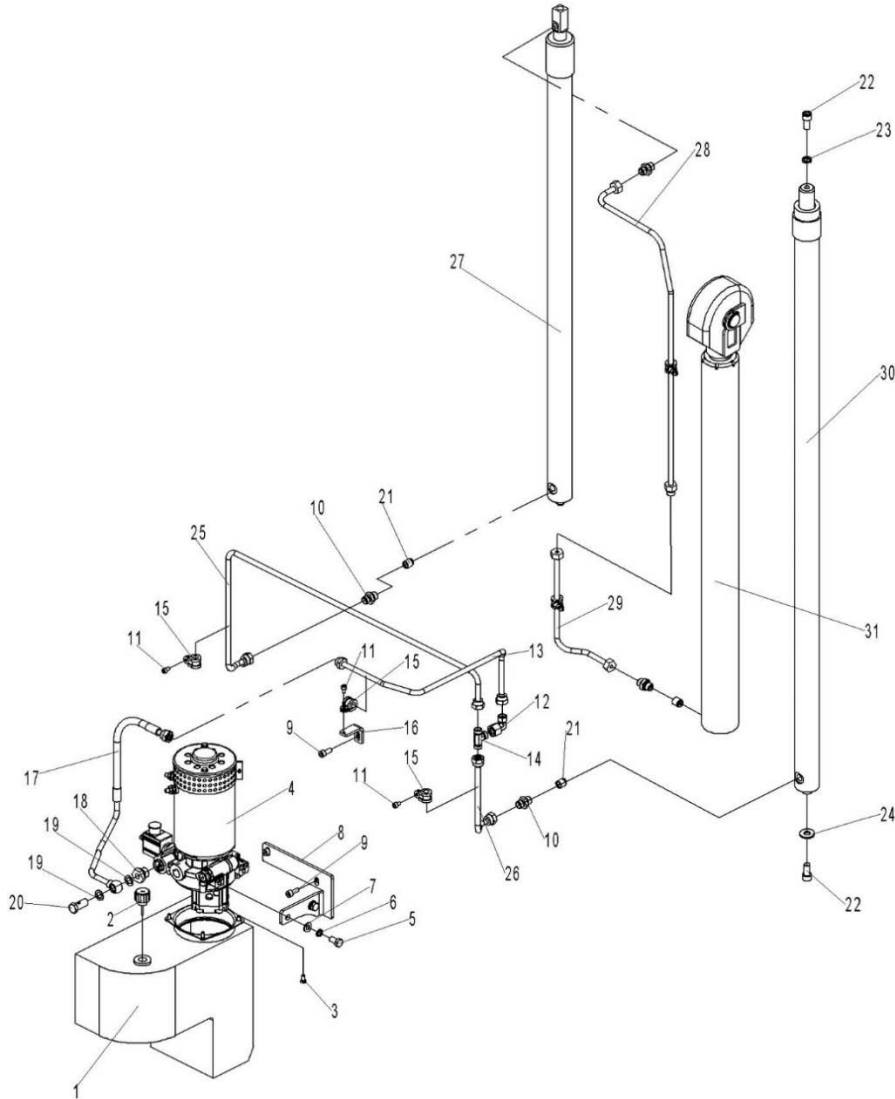


Fig. 23 Two-stage full free lift hydraulic system

No.	Art No.	Description	Qty.	Note
1	534819010000	Oil tank	1	
2	951100200001	Vent plug	1	M18x1.5
3	910100300009	Bolt	4	M6x12
4	950900100015	Hydraulic power unit	1	
5	910100300035	Bolt	2	M10x20
6	910400500007	Spring washer	2	10

7	910400100007	Flat washer	2	10
8	534824020001	Fixing plate	1	
9	910200200057	Screw	3	M8x20
10	950400400003	Joint	3	
11	910200200045	Screw	5	M6x6
12	950400200003	Joint	1	
13	534824010006	Hydraulic pipe welding	1	
14	950400700002	Joint	1	
15	951000100001	Clamp YGE rubber	5	12
16	534824020002	Fixing plate	1	
17	534824010005	Hydraulic hose assembly	1	
18	950401200004	Joint	1	G1/2-G1/4
19	910800900003	Combination washer	1	
20	911300300001	Hinge bolt	1	G1/4x28.5
21	950600300001	Safety valve	3	M16x1.5
22	910200200097	Screw	4	M12x25
23	910400500008	Spring washer 12	2	
24	534744520015	Washer	2	
25	534824010007	Hydraulic pipe welding	1	
26	534724010006	Hydraulic pipe welding	1	
27	534743510006	Cylinder (L)	1	141
	534743510007	Cylinder (L)	1	126
	534743510008	Cylinder (L)	1	114
28	534743510015	Hydraulic pipe welding	1	141
	534743510016	Hydraulic pipe welding	1	126
	534743510017	Hydraulic pipe welding	1	114
29	534743510018	Hydraulic pipe welding	1	
30	534743510012	Cylinder (R)	1	141
	534743510013	Cylinder (R)	1	126
	534743510014	Cylinder (R)	1	114
31	534743510009	Cylinder (M)	1	141
	534743510010	Cylinder (M)	1	126
	534743510011	Cylinder (M)	1	114

Fig. 24 Two-stage standard lift hydraulic system (side shift)

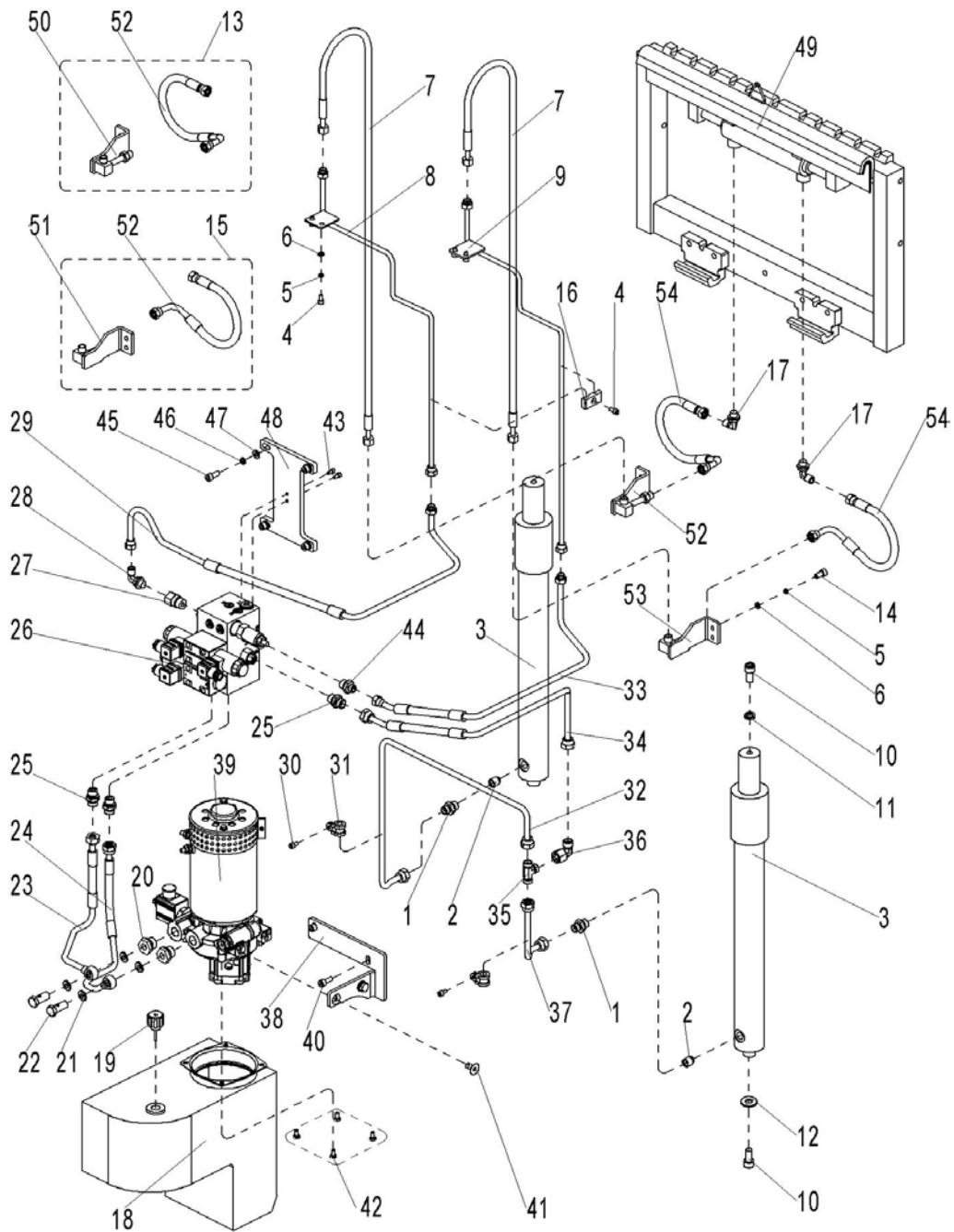


Fig. 24 Two-stage standard lift hydraulic system (side shift)

No.	Art No.	Description	Qty.	Note
1	950400400003	Joint	2	
2	950600300001	Safety valve	2	M16x1.5
3	534744010008	Cylinder	2	114
	534744010007	Cylinder	2	126
	534744010006	Cylinder	2	141
4	910200200033	Screw	5	M6x12
5	910400500005	Spring washer	8	6
6	910400100005	Flat washer	8	6
7	534844010008	Hydraulic hose assembly	2	114
	534844010006	Hydraulic hose assembly	2	126
	534844010011	Hydraulic hose assembly	2	141
8	534844010010	Hydraulic pipe welding	1	114
	534844010005	Hydraulic pipe welding	1	126
	534844010002	Hydraulic pipe welding	1	141
9	534844010009	Hydraulic pipe welding	1	114
	534844010004	Hydraulic pipe welding	1	126
	534844010001	Hydraulic pipe welding	1	141
10	910200200097	Screw	4	M12x25
11	910400500008	Spring washer	2	12
12	534744520015	Washer	2	
13	534898510003	hydraulic pipe (left)	1	
14	910200200035	Screw	4	M6x16
15	534898510004	hydraulic pipe (right)	1	
16	534844520007	Metal plate	1	
17	950401100002	Joint	2	
18	534819010000	Oil tank	1	
19	951100200001	Vent plug	1	M18x1.5
20	950401200004	Joint	2	
21	910800900003	Combination washer	4	14
22	911300300001	Hinge bolt	2	G1/4x28.5
23	534824010000	Hydraulic hose assembly	1	
24	534824010001	Hydraulic hose assembly	1	
25	950400300007	Joint	3	
26	950600100014	Hydraulic valve group	1	
27	950401200003	Joint	1	
28	950401100002	Joint	1	
29	534824010002	Hydraulic pipe	1	
30	910200200045	Screw	2	M6x6
31	951000100001	Clamp YGE rubber	2	12
32	534824010008	Hydraulic pipe welding	1	
33	534824010003	Hydraulic pipe	1	
34	534824010004	Hydraulic pipe	1	
35	950400700002	Joint	1	

36	950400200003	Joint	1	
37	534724010007	Hydraulic pipe welding	1	
38	534824020001	Fixing plate	1	
39	950900100015	Hydraulic power unit	1	24V3.2KW4.0cc
40	910200200057	Screw	2	M8x20
41	910200400035	Bolt	2	M10x20
42	910100300009	Bolt	4	M6x12
43	910200200021	Screw	2	M5x10
44	950400300004	Joint	1	
45	910200200058	Screw	3	M8x25
46	910400500006	Spring washer	4	8
47	910400100006	Flat washer	4	8
48	534824020000	Mounting plate	1	
49	940100200001	Side shift	1	4409 lbs
50	534844010016	Joint welding (left)	1	
51	534844010017	Joint welding (right)	1	
52	534844010014	Hydraulic pipe	2	

Fig. 25 Two-stage standard lift hydraulic system (regular)

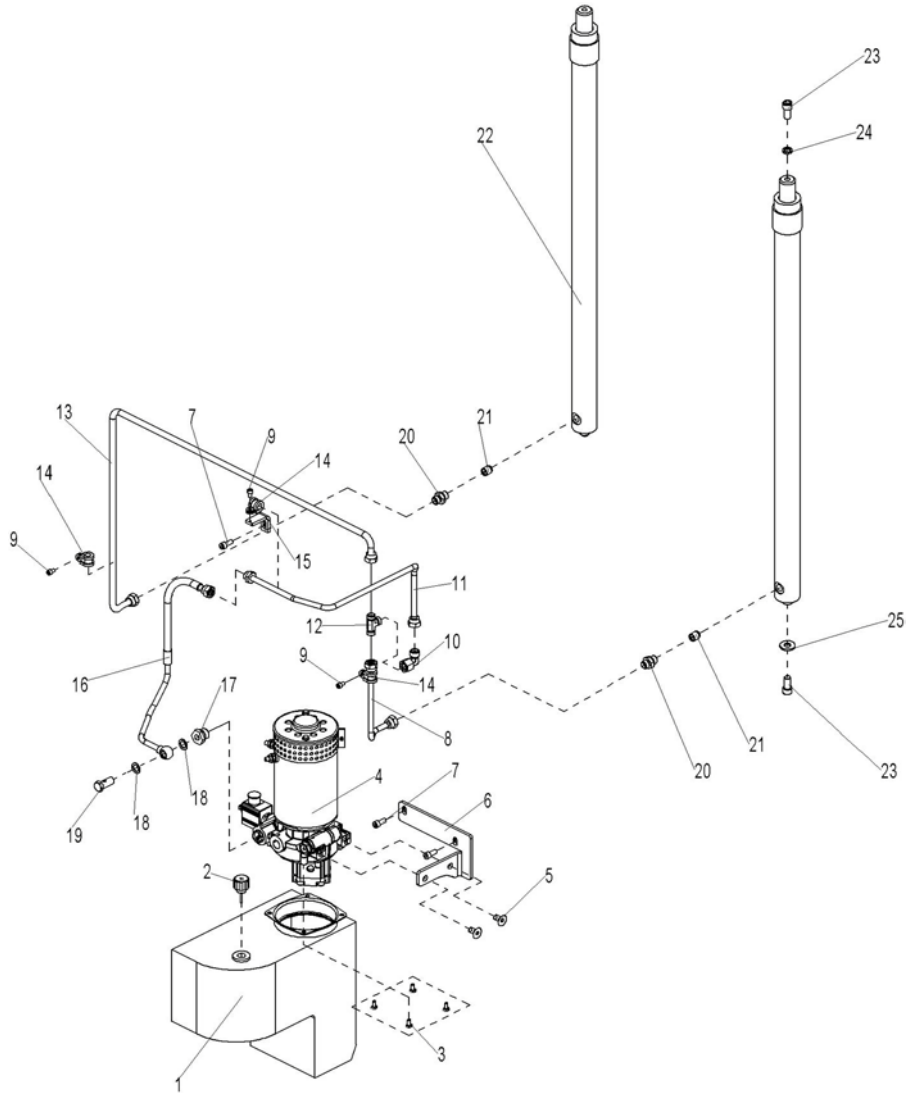


Fig. 25 Two-stage standard lift hydraulic system (regular)

No.	Art No.	Description	Qty.	Note
1	534819010000	Oil tank	1	
2	951100200001	Vent plug	1	M18x1.5
3	910100300009	Bolt	4	M6x12
4	950900100015	Hydraulic power unit	1	24V3.2KW4.0cc
5	910200400035	Joint	2	M10x20
6	534824020001	Fixing plate	1	
7	910200200057	Screw	3	M8x20
8	534724010007	Hydraulic pipe welding	1	

9	910200200045	Screw	5	M6x6
10	950400200003	Joint	1	
11	534824010006	Hydraulic pipe welding	1	
12	950400700002	Joint	1	
13	534824010008	Hydraulic pipe welding	1	
14	951000100001	Clamp YGE rubber	5	12
15	534824020002	Fixing plate	1	
16	534824010005	Hydraulic hose assembly	1	
17	950401200004	Joint	1	
18	910800900003	Combination washer	1	14
19	911300300001	Hinge bolt	1	G1/4x28.5
20	950400400003	Joint	2	
21	950600300001	Safety valve	2	M16x1.5
22	534744010006	Cylinder	2	141
	534744010007	Cylinder	2	126
	534744010008	Cylinder	2	114
23	910200200097	Screw	4	M12x25
24	910400500008	Spring washer	2	12
25	534744520015	Washer	2	

Fig. 26 Three-stage mast outer cylinder components (full free lift)

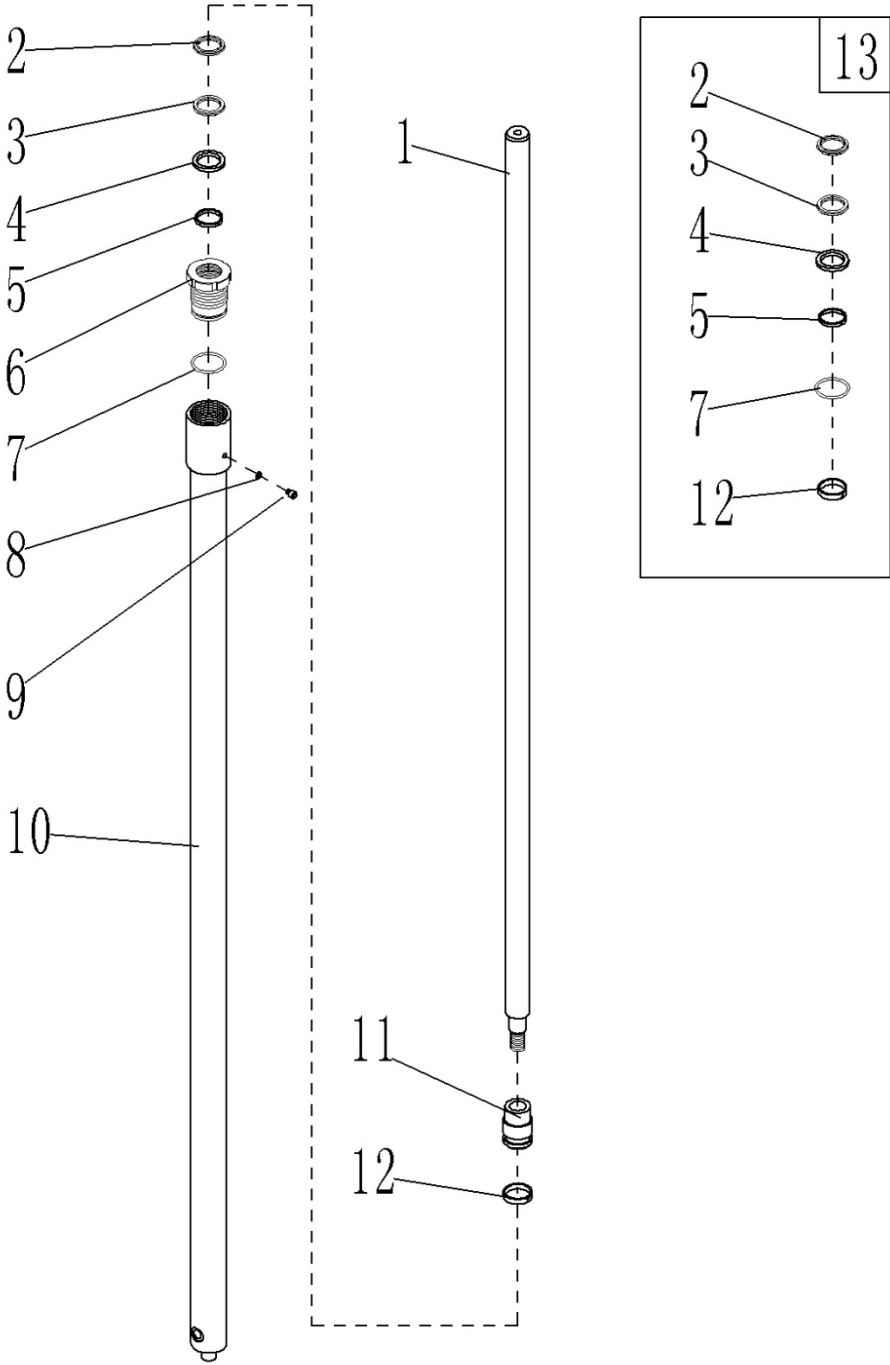


Fig. 26 Three-stage mast outer cylinder components (full free lift)

No.	Art No.	Description	Qty.	Note
1	534798520000	Piston rod	1	209
	534798520001	Piston rod	1	181
	534798520002	Piston rod	1	169
	534798520003	Piston rod	1	157
2	534798520004	Dust ring	1	
3	534798520005	Seal ring	1	
4	534798520006	Sealing	1	
5	534798520007	Support ring	1	
6	534798520008	Cylinder cap	1	
7	910800100093	O ring	1	
8	910800900010	Combination washer	1	8
9	910200200051	Screw	1	M8x10
10	534798520009	Cylinder tube	1	209
	534798520010	Cylinder tube	1	181
	534798520011	Cylinder tube	1	169
	534798520012	Cylinder tube	1	157
11	534798520013	Piston	1	
12	533298520004	Support ring	1	
13	534798510000	Sealing kits	1	

Fig. 27 Three-stage mast middle cylinder components (full free lift)

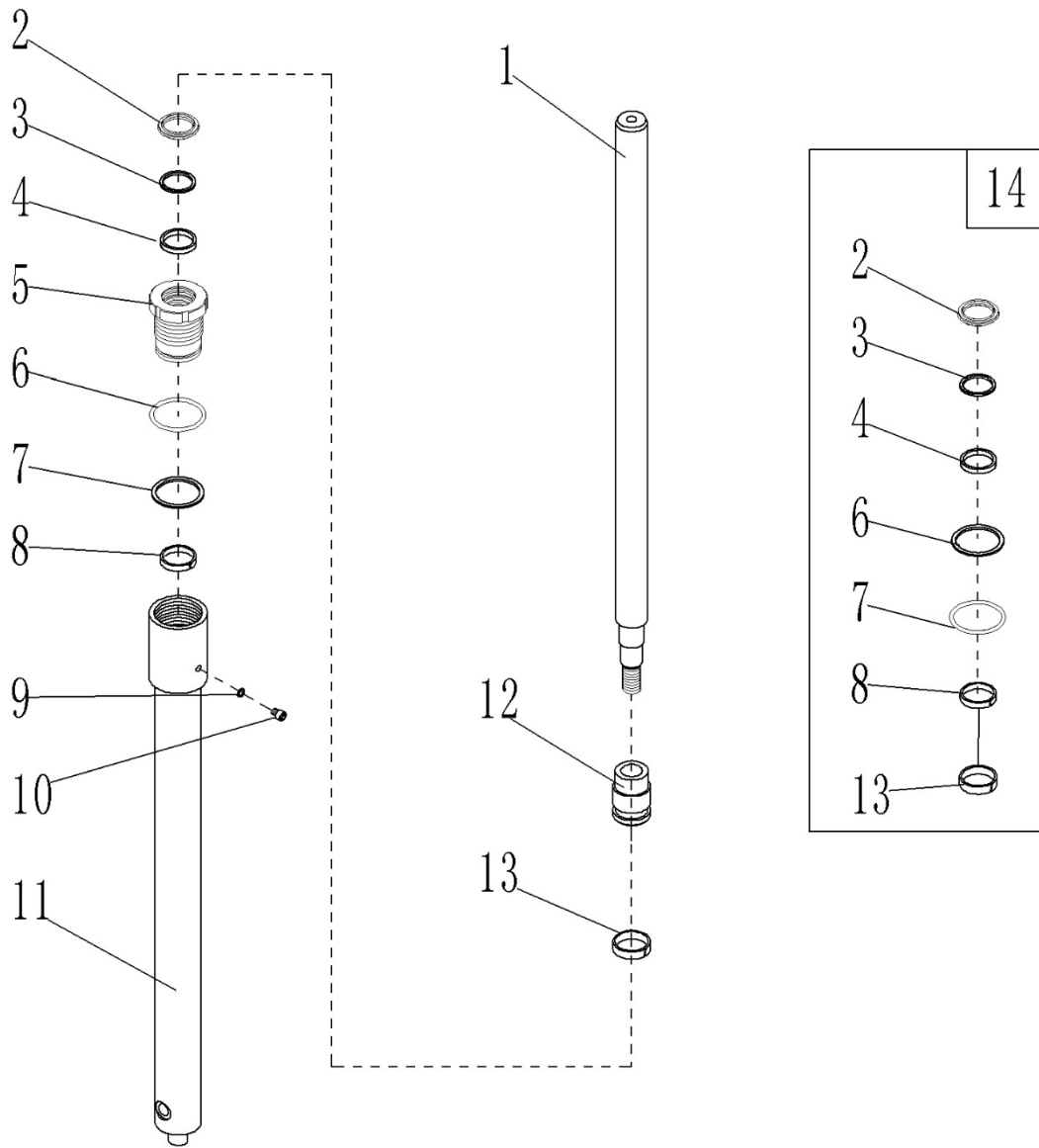


Fig. 27 Three-stage mast middle cylinder components (full free lift)

No.	Art No.	Description	Qty.	Note
1	534798520016	Piston rod	1	209
	534798520014	Piston rod	1	181
	534798520015	Piston rod	1	169
	534798520017	Piston rod	1	157
2	534798520042	Dust ring	1	
3	534798520063	Circlip	1	
4	534798520064	Seal ring	1	
5	534798520065	End cap	1	

6	534498520021	O ring	1	
7	534798520066	Circlip	1	
8	534798520067	Support ring	1	
9	910800900010	Combination washer	1	8
10	910200200051	Screw	1	M8x10
11	534798520020	Cylinder tube	1	209
	534798520018	Cylinder tube	1	181
	534798520019	Cylinder tube	1	169
	534798520021	Cylinder tube	1	157
12	534798520071	Piston	1	
13	534798520072	Support ring	1	
14	534798510001	Sealing kits	1	

Fig. 28 Three-stage mast outer cylinder components (standard lift)

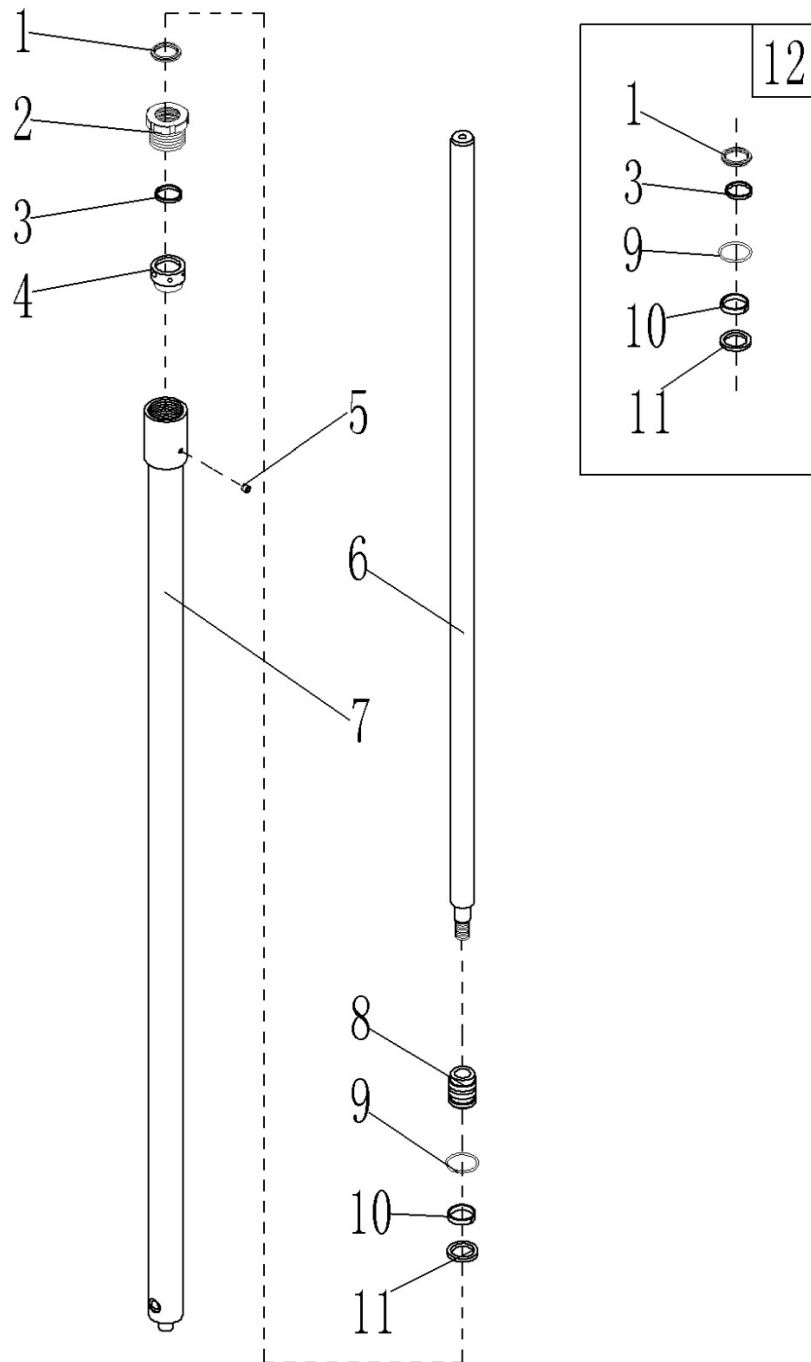


Fig. 28 Three-stage mast outer cylinder components (standard lift)

No.	Art No.	Description	Qty.	Note
1	910800400002	Dust ring	1	
2	533598520005	Screw cap	1	
3	535098520016	Support ring	1	
4	533598520006	Spacer	1	
5	534798520056	Screw	1	Rc1/8
6	534798520081	Piston rod	1	181
	534798520080	Piston rod	1	169
7	534798520043	Cylinder tube	1	181
	534798520044	Cylinder tube	1	169
8	534798520045	Piston	1	
9	910800100050	O ring	1	
10	535098520029	Support ring	1	
11	535398520005	Seal ring	1	
12	534798510004	Sealing kits	1	

Fig. 29 Two-stage mast outer cylinder components (full free lift)

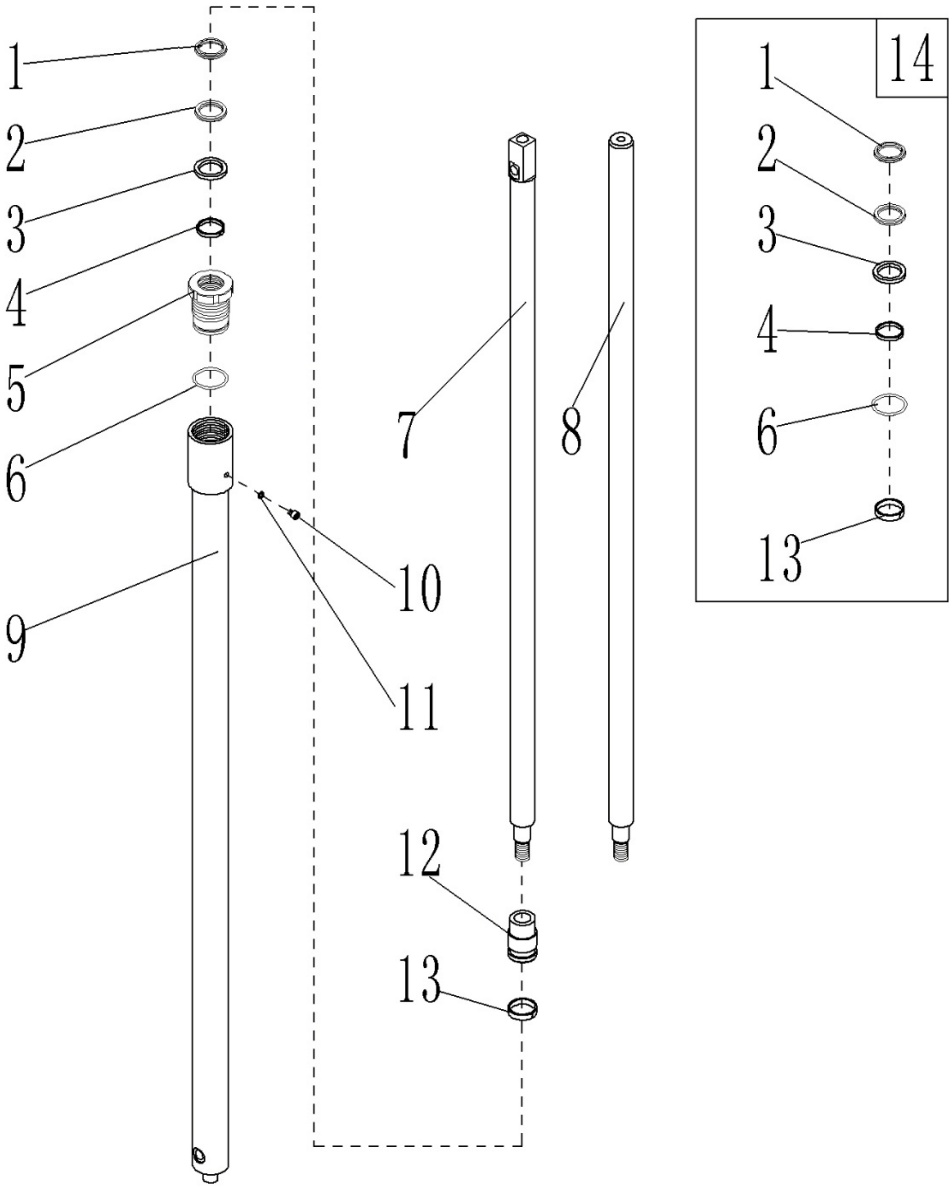


Fig. 29 Two-stage mast outer cylinder components (full free lift)

No.	Art No.	Description	Qty.	Note
1	534798520027	Dust ring	1	
2	534798520028	Seal ring	1	
3	534798520029	Sealing	1	
4	534798520030	Support ring	1	
5	534798520031	Cylinder cap	1	
6	910800100093	O ring	1	
7	534798520032	Piston rod	1	141 left Cylinder
	534798520033	Piston rod	1	126 left Cylinder
	534798520034	Piston rod	1	114 left Cylinder
8	534798520035	Piston rod	1	141 right Cylinder
	534798520036	Piston rod	1	126 right Cylinder
	534798520037	Piston rod	1	114 right Cylinder
9	534798520038	Cylinder tube	1	141
	534798520039	Cylinder tube	1	126
	534798520040	Cylinder tube	1	114
10	910800900010	Combination washer	1	8
11	910200200051	Screw	1	M8x10
12	534798520041	Piston	1	
13	533298520004	Support ring	1	
14	534798510002	Sealing kits	1	

Fig. 30 Two-stage mast middle cylinder components (full free lift)

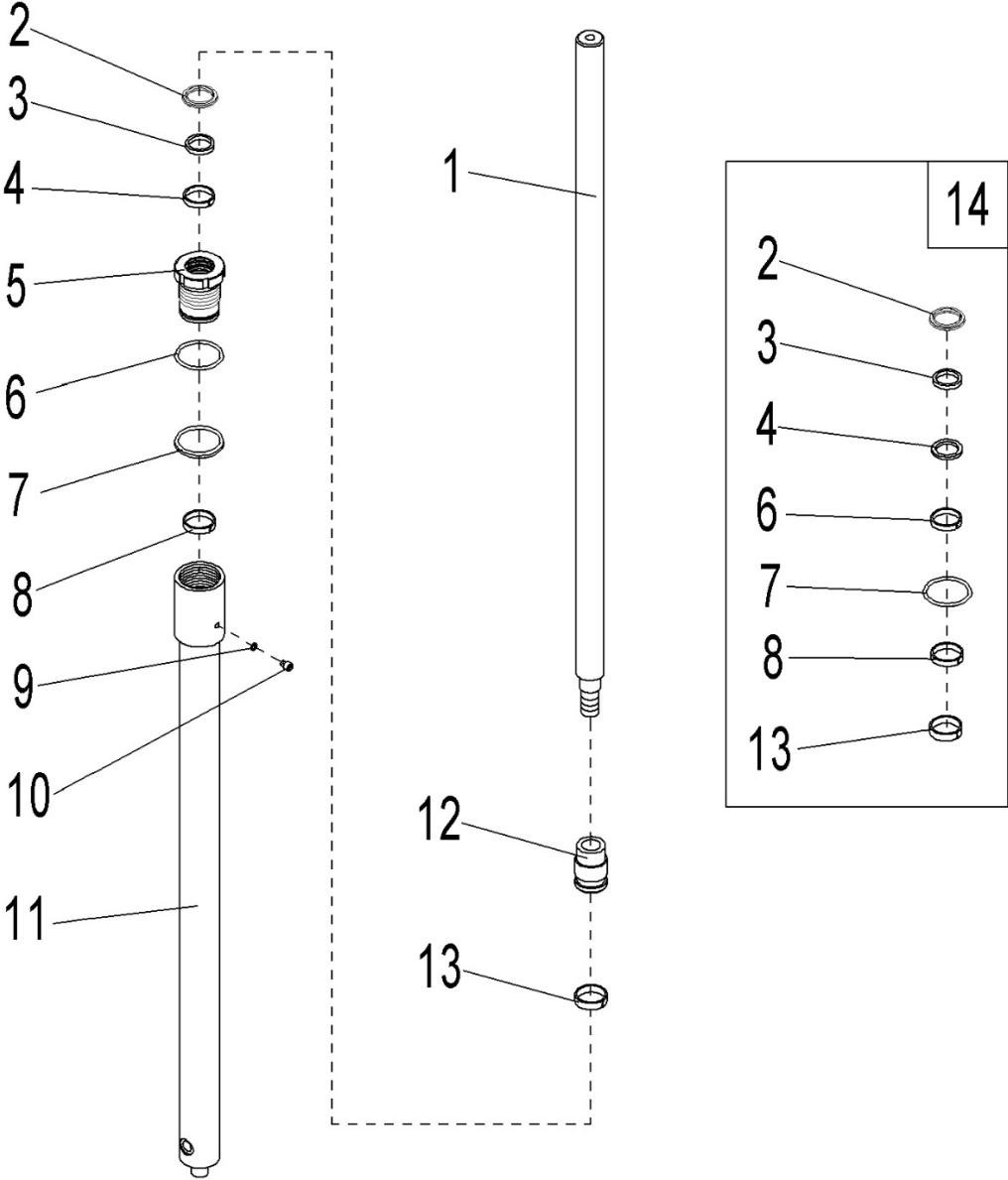


Fig. 29 Two-stage mast middle cylinder components (full free lift)

No.	Art No.	Description	Qty.	Note
1	534798520059	Piston rod	1	141
	534798520060	Piston rod	1	126
	534798520061	Piston rod	1	114
2	534798520042	Dust ring	1	
3	534798520063	Circlip	1	
4	534798520064	Seal ring	1	
5	534798520065	End cap	1	
6	534498520021	O ring	1	
7	534798520066	Circlip	1	
8	534798520067	Support ring	1	
9	910800900010	Combination washer	1	8
10	910200200051	Screw	1	M8x10
11	534798520068	Cylinder tube	1	141
	534798520069	Cylinder tube	1	126
	534798520070	Cylinder tube	1	114
12	534798520071	Piston	1	
13	534798520072	Support ring	1	
14	534798510003	Sealing kits	1	

Fig. 31 Two-stage mast outer cylinder components (standard lift)

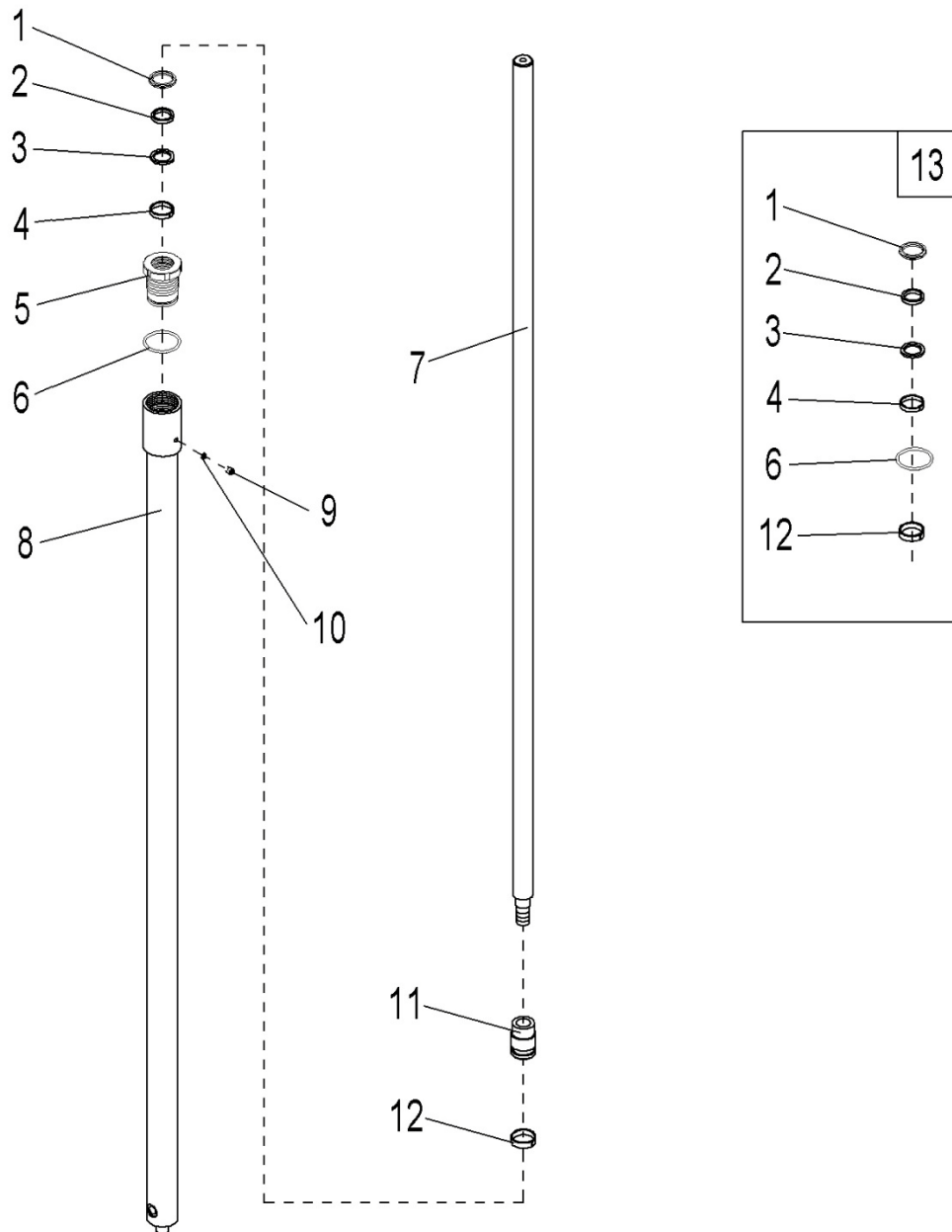


Fig. 31 Two-stage mast outer cylinder components (standard lift)

No.	Art No.	Description	Qty.	Note
1	910800400002	Dust ring	1	
2	535398520002	Seal ring	1	
3	535098520017	Sealing	1	
4	535398520003	Support ring	1	
5	534798520046	Cylinder cap	1	
6	910800100093	O ring	1	
7	534798520047	Piston rod	1	141
	534798520048	Piston rod	1	126
	534798520049	Piston rod	1	114
8	534798520050	Cylinder tube	1	141
	534798520051	Cylinder tube	1	126
	534798520052	Cylinder tube	1	114
9	910200200051	Screw	1	M8x10
10	910800900010	Combination washer	1	8
11	534798520041	Piston	1	
12	533298520004	Support ring	1	
13	534798510005	Sealing kits	1	

Fig. 32 Drive system assembly

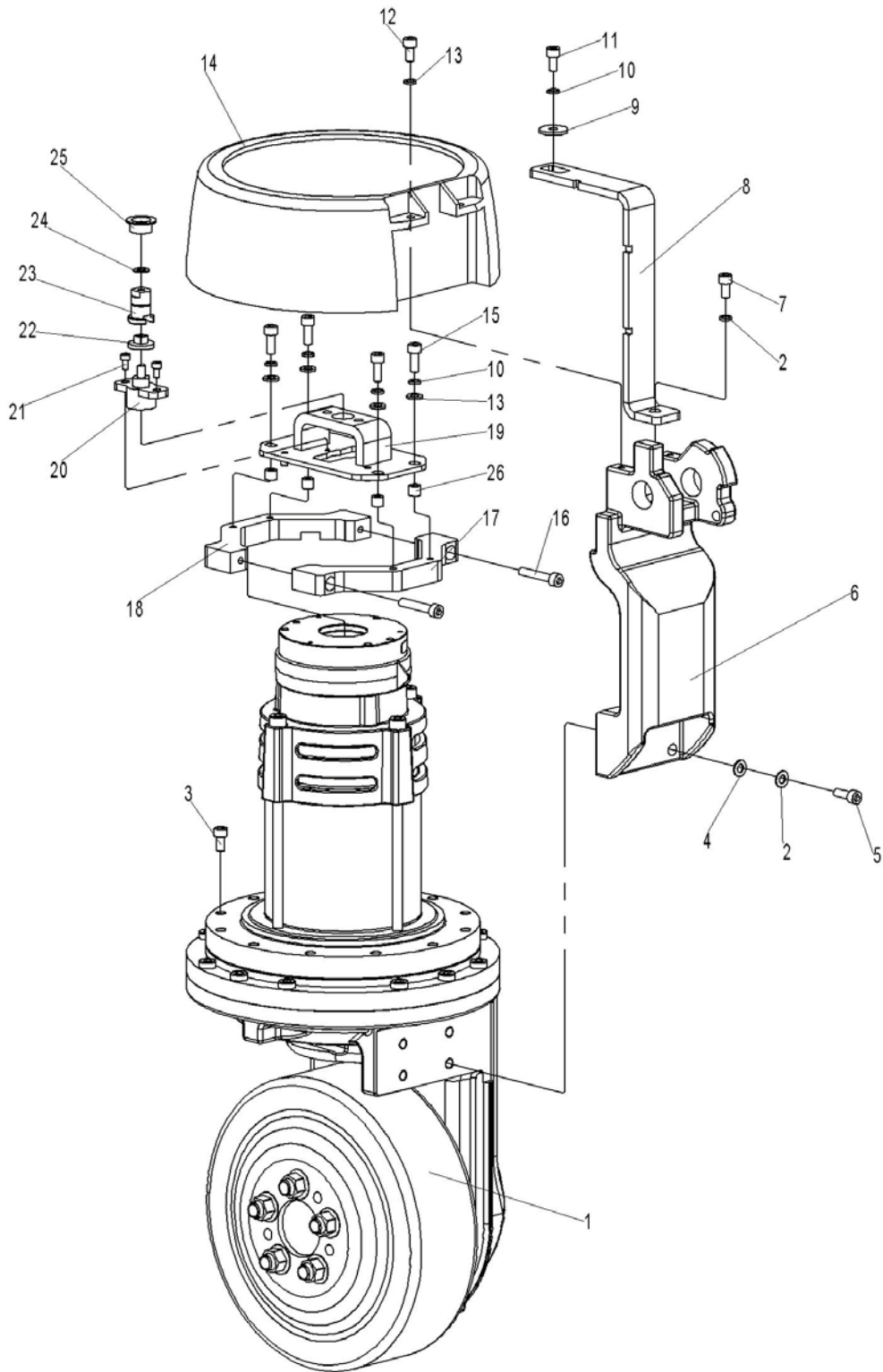


Fig. 32 Drive system assembly

No.	Art No.	Description	Qty.	Note
1	940900400004	Driving assembly	1	
2	910400500006	Spring washer	5	8
3	910200200061	Screw	6	M8x40
4	910400100006	Flat washer	4	8
5	910200200058	Screw	4	M8x25
6	534813520000	Tiller base	1	
7	910200200055	Screw	1	M8x16
8	534813520006	Linking rod	1	
9	534813520008	Washer	1	Thickness 2
10	910400500005	Spring washer	5	6
11	910200200033	Screw	1	M6x12
12	910200300017	Screw	2	M6x12
13	910400100005	Flat washer	6	6
14	534713520003	Protective cover	1	
15	910200200038	Screw	4	M6x25
16	910200200041	Screw	2	M6x40
17	534813520003	Fixing plate	1	
18	534813520002	Fixing plate	1	
19	534813510001	Mounting base welding	1	
20	921800200006	Potentiometer	1	
21	910200200012	Screw	2	M4x8
22	505631520003	Linking block	1	
23	534813520001	Fixing axle	1	
24	910401300006	Circlip	1	15
25	940500200001	Bushing	1	
26	534813520010	spacer bush	4	

Fig. 33 Driving assembly

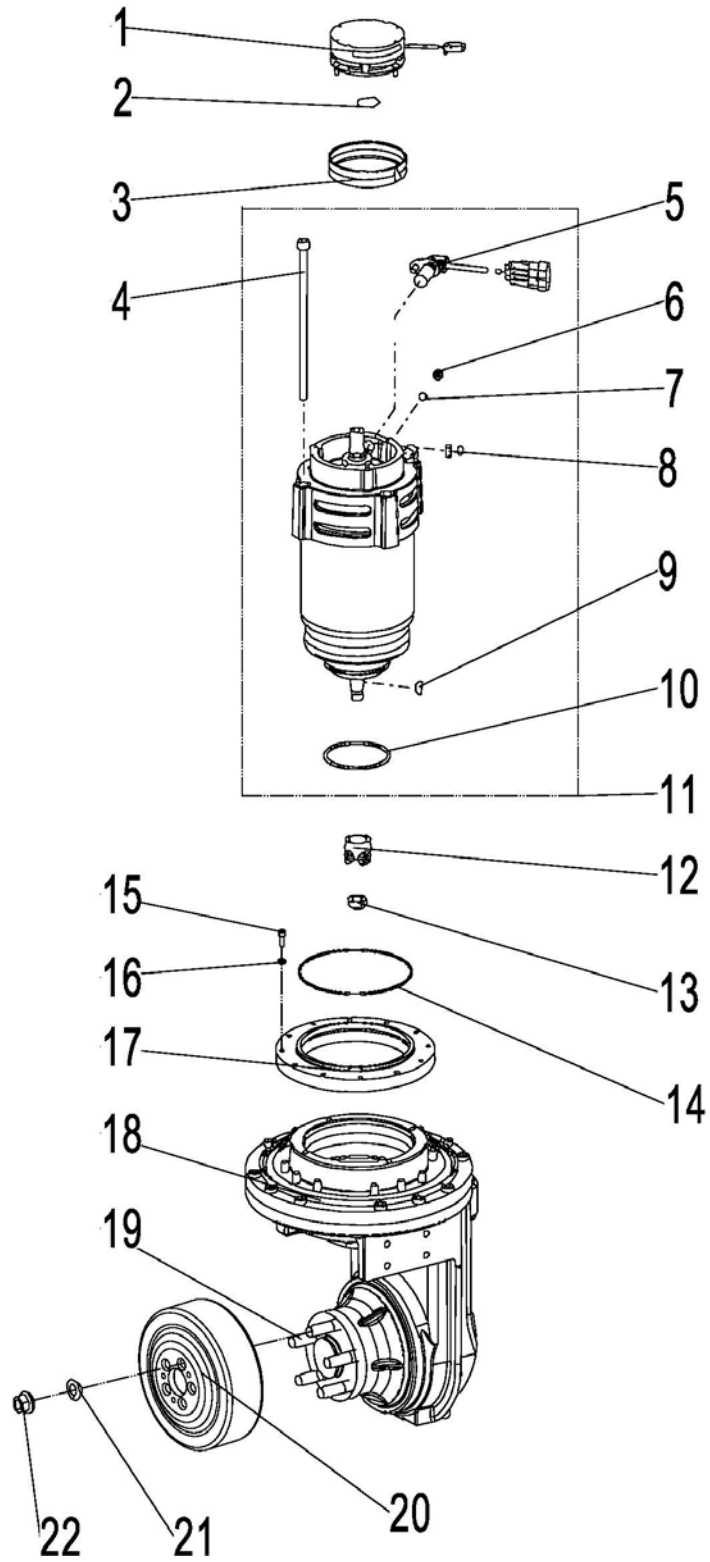


Fig. 33 Driving assembly

No.	Art No.	Description	Qty.	Note
1	535998510001	Brake	1	
2	535998520000	Circlip	1	15
3	535998520001	Spacer	1	
4	535998520002	Screw	4	M8x175
5	535998510002	Sensor	1	
6	535998520003	Nut	1	M6x8
7	535998520004	Safety components	1	
8	535998520005	Flat key	1	5x5x14
9	535998520006	Semi circle key	1	
10	535998520007	O ring	1	
11	535998510003	Motor	1	
12	535998520014	Gear	1	
13	535998520008	Nut	1	
14	535998520009	O ring	1	146x3
15	910200200060	Screw	9	M8x35
16	910400500006	Spring washer	9	8
17	535998520010	Mounting plate	1	
18	535998510004	Gear box assembly	1	
19	535998520011	Stud	5	
20	940300400005	Roller	1	Φ 230x70
21	535998520012	Spring washer	5	
22	535998520013	Nut	5	

Fig. 34 Load wheel assembly

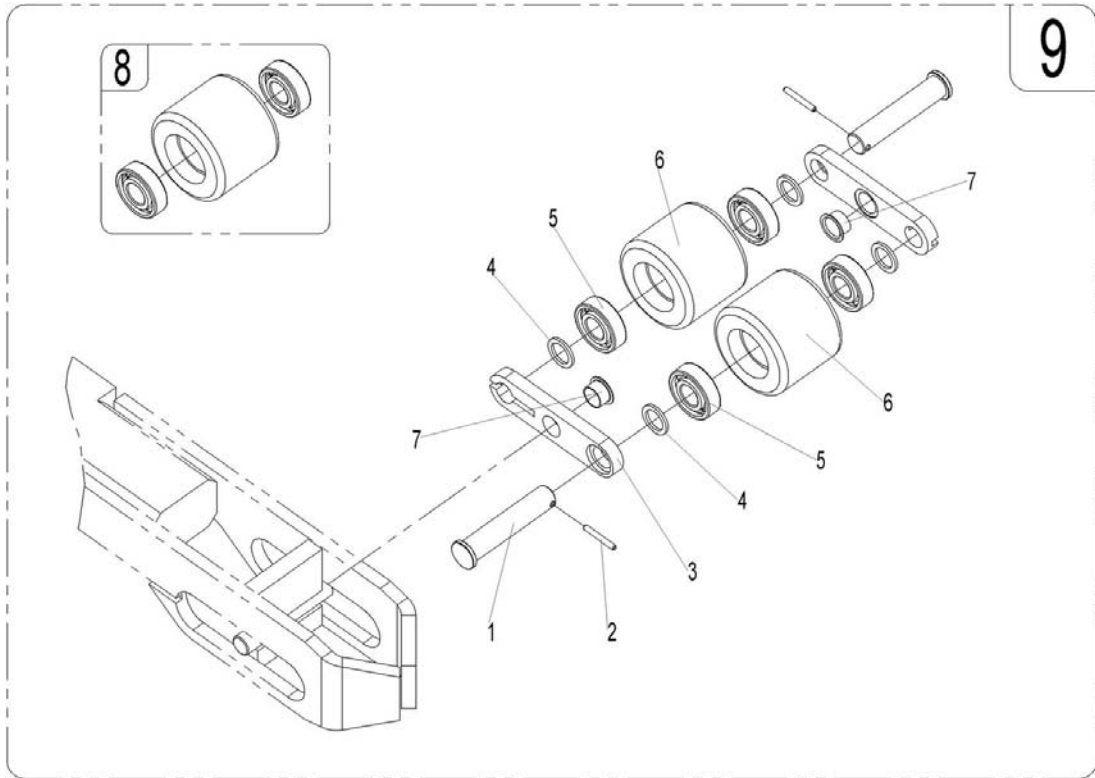


Fig. 34 Load wheel assembly

No.	Art No.	Description	Qty.	Note
1	534717020001	Short axle	2	
2	910600400017	Elastic cylindrical pin	2	4x35
3	534717020002	Linking plate	2	
4	940600500004	Washer	4	
5	910700200019	Bearing	4	6204-2RS
6	940300300009	Roller	2	
7	940500200003	Bushing	2	
8	532998510001	Wheel set kits	4	
9	534717001001	Load roller assembly	2	

Fig. 35 Tiller assembly

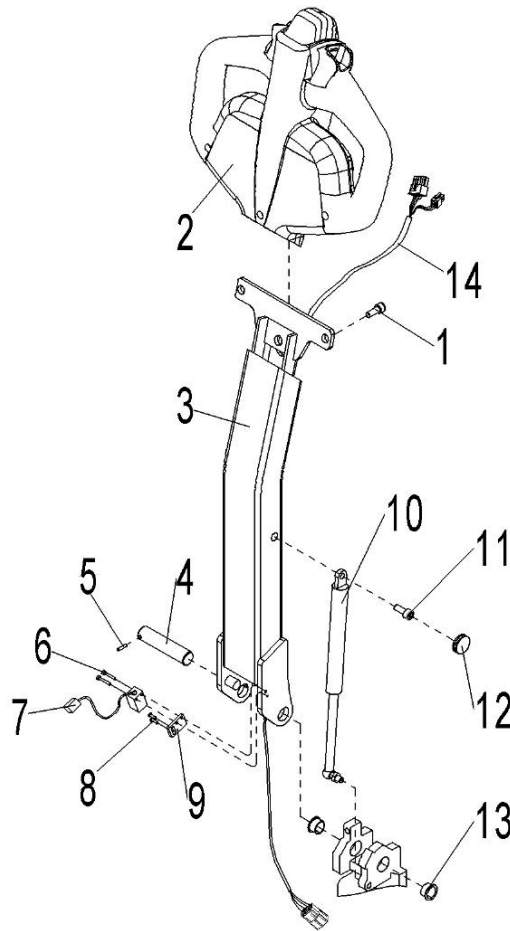


Fig. 35 Tiller assembly

No.	Art No.	Description	Qty.	Note
1	910200200058	Screw	2	M8x25
2	922100100001	Tiller 94300-90(REMA)	1	
3	504411010001	Tiller arm	1	
4	504411020011	Rotate axle	1	
5	910600400009	Elastic cylindrical pin	1	4x14
6	910200200005	Screw	2	M3x20
7	505633510002	Proximity switch	1	
8	910200200014	Screw	2	M4x12
9	504411020009	Switch base plate	1	
10	940400100011	Air spring	1	
11	910200200057	Screw	1	M8x20
12	502311020009	Sealing bushing	1	
13	940500200005	Bushing	2	
14	534833010001	Tiller control wiring harness	1	

Fig. 36 Pump components

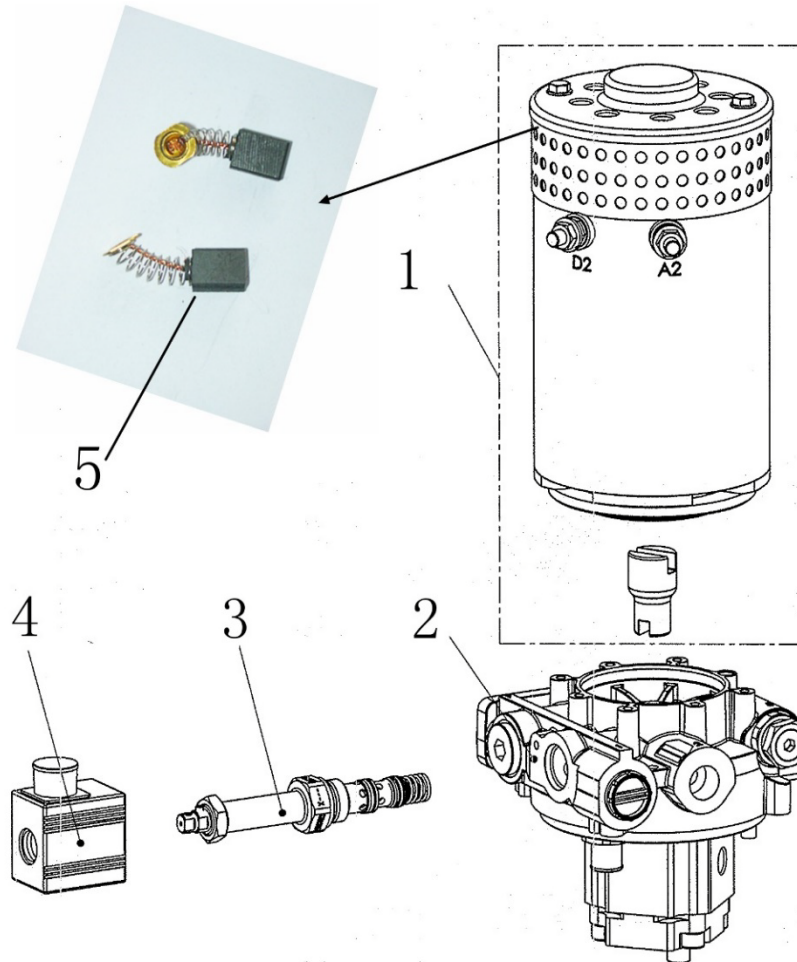


Fig. 36 Pump components

No.	Art No.	Description	Qty.	Note
1	534798510006	Motor	1	3.2KW
2	534798510007	Centre valve block	1	
3	534798520024	Electromagnetic valve core	1	
4	534798520025	Coil	1	
5	534798520026	Carbon brush	1	

Fig. 37 Main circuit wiring harness

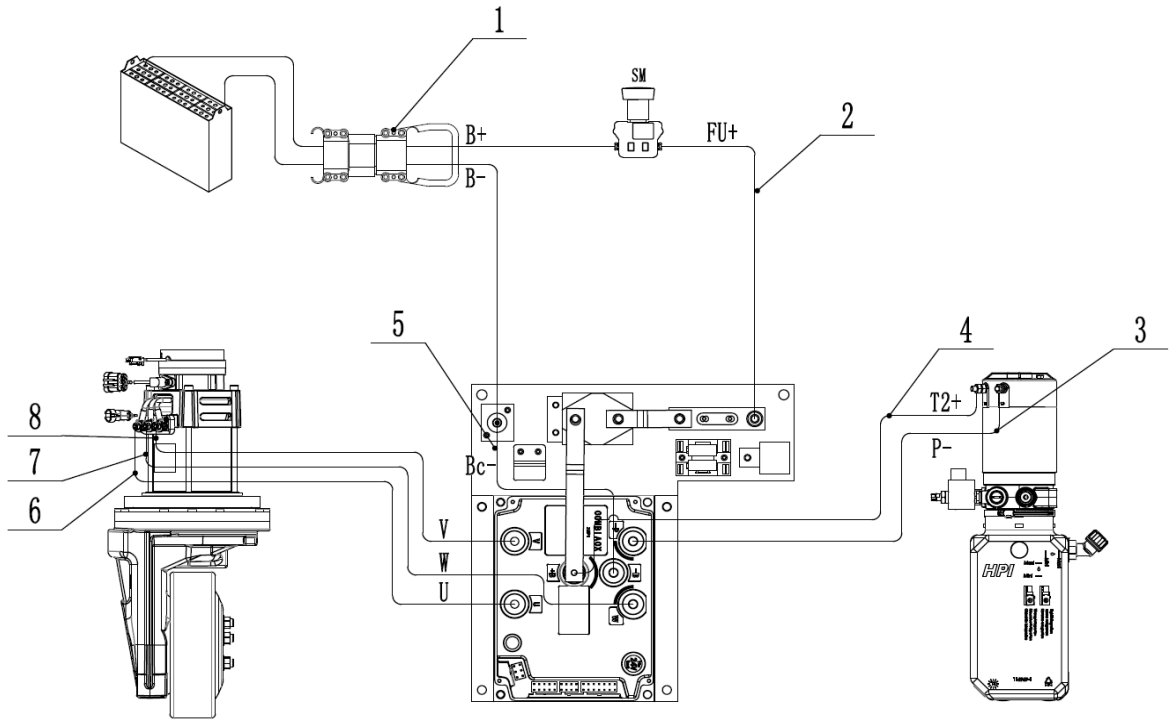


Fig. 37 Main circuit wiring harness

No.	Art No.	Description	Qty.	Note
1	534833010008	Main power supply wiring harness	1	
2	534833010009	Cable	1	FU+
3	534833010006	Cable	1	P-
4	534833010007	Cable	1	T2+
5	534833010013	Cable	1	BC-
6	534833010003	Cable	1	U
7	534833010005	Cable	1	W
8	534833010004	Cable	1	V

Fig. 38 Electrical parts

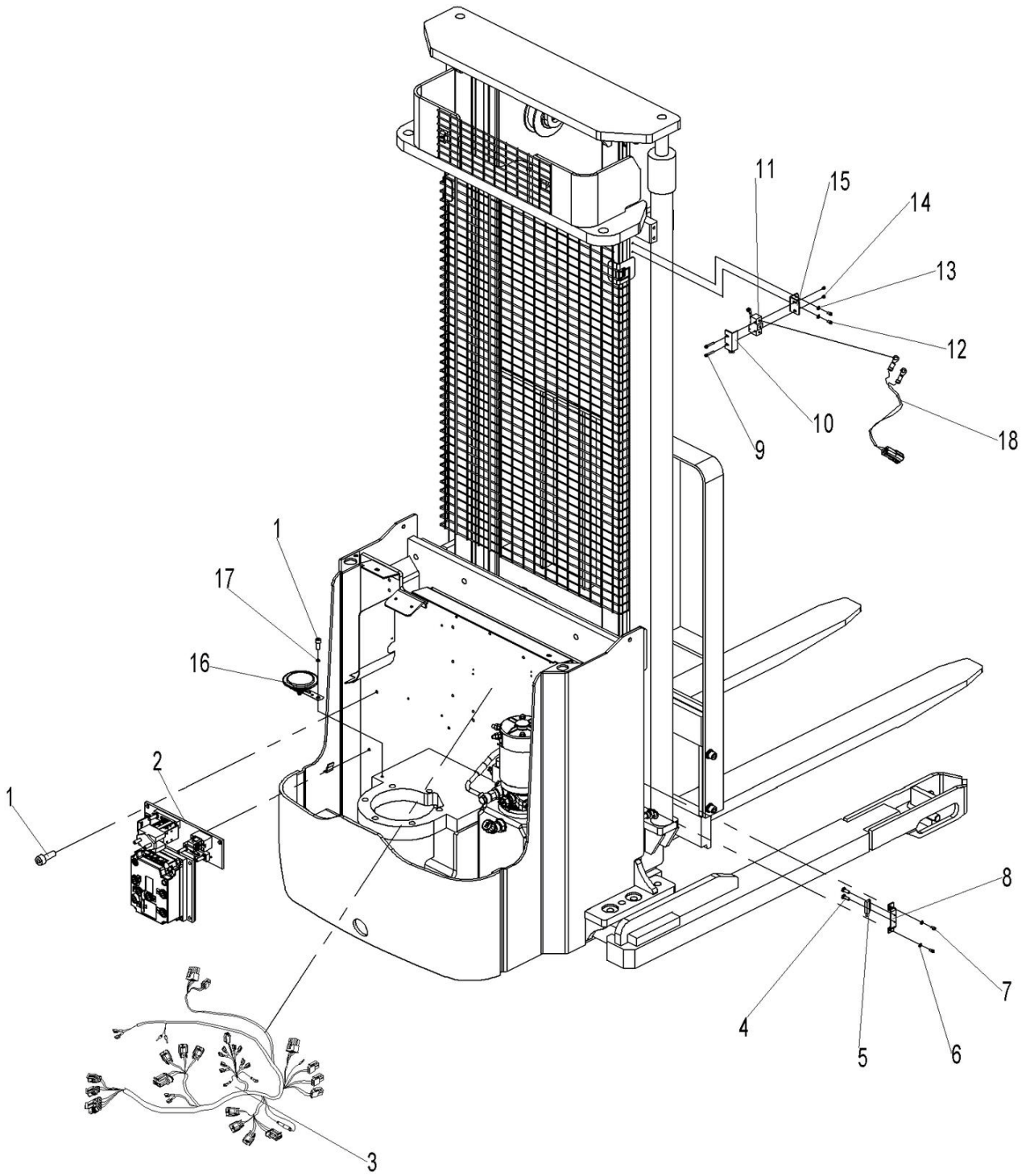


Fig. 38 Electrical parts

No.	Art No.	Description	Qty.	Note
1	910200200053	Screw	5	M8x12
2	534833501000	Electrical parts assembly (COMBIACX)	1	
3	534533010000	Main control wiring harness (COMBIACX)	1	Regular
	534833010000	Main control wiring harness (COMBIACX)	1	Side shift
4	910200500010	Screw	2	M3x8
5	534833510003	Magnetic switch	1	HWK23
6	910400500003	Spring washer	2	4
7	910200200014	Screw	2	M4x12
8	534744520059	Protective cover	1	
9	910200400006	Screw	2	M4x25
10	920200300008	Micro switch protective cover	1	
11	920200300001	Micro switch	1	XZ-15GW22-B
12	910200300005	Screw	2	M4x8
13	910400100003	Flat washer	2	4
14	910300500001	Nut	2	M4
15	534744520036	Fixing plate	1	
16	920500100001	Horn	1	
17	910400500006	Spring washer	1	8
18	534833510001	Limit control wiring harness (1850mm)	1	114
	534733010015	Limit control wiring harness (1950mm)	1	126
	534833510002	Limit control wiring harness (2150mm)	1	141
	534733010013	Limit control wiring harness (1800mm)	1	157
	534733010014	Limit control wiring harness (1900mm)	1	169
	534733010016	Limit control wiring harness (2000mm)	1	181
	534733010017	Limit control wiring harness (2100mm)	1	209

Fig. 39 Controller components (COMBIACX)

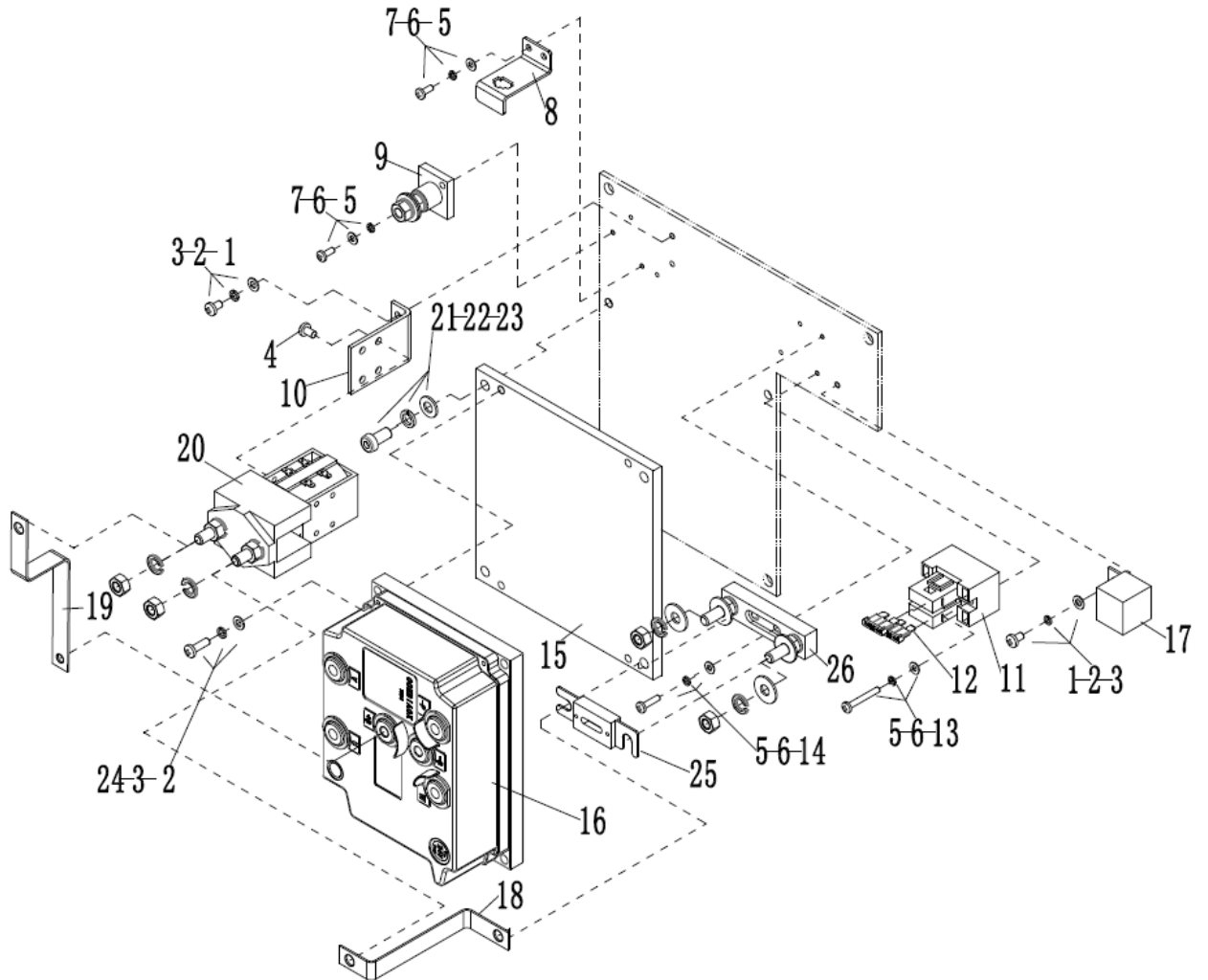


Fig. 39 Controller components (COMBIACX)

No.	Art No.	Description	Qty.	Note
1	910200500037	Screw	3	M5x10
2	910400500004	Spring washer	7	5
3	910400100004	Flat washer	7	5
4	910200500036	Screw	2	M5x8
5	910400100003	Flat washer	8	4
6	910400500003	Spring washer	8	4
7	910200500021	Screw	8	4
8	921300300001	Fixing frame	1	

9	920100400001	Fuse base	1	M8
10	921300400004	Main contactor fixing part	1	180
11	920100400005	Fuse base	1	2x10A
12	920100200002	Fuse	2	10A
13	910200500028	Screw	2	M4x30
14	910200500024	Screw	2	M4x16
15	534733020000	Aluminium plate	1	COMBIACX
16	921400100048	Controller	1	24-240+270A
17	920800100001	Relay	1	DC24V
18	534733020002	Copper bar	1	
19	534733020001	Copper bar	1	
20	920700100002	Contactor	1	DC24V-SW180
21	910400100006	Flat washer	2	8
22	910400500006	Spring washer	2	8
23	910200200055	Screw	2	M8x16
24	910200200023	Screw	4	M5x16
25	920100100013	Fuse	1	350A
26	920100400002	Fuse base	1	SY

Fig. 40 Load backrest (Regular)

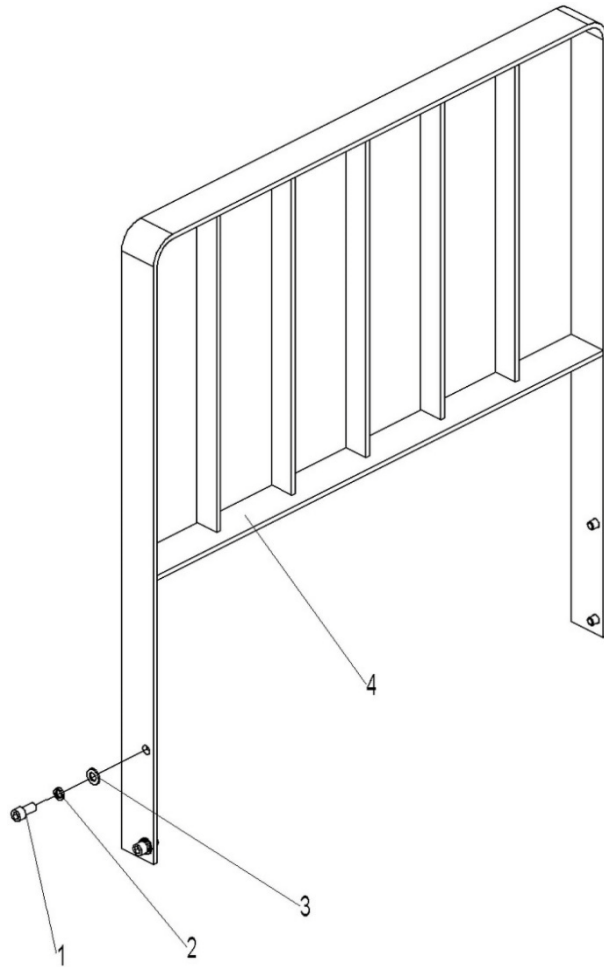


Fig. 40 Load backrest (Regular)

No.	Art No.	Description	Qty.	Note
1	534840510000	Load backrest welding	1	
2	910200200097	Screw	4	M12x25
3	910400100008	Flat washer	4	12
4	910400500008	Spring washer	4	12

Fig. 41 Load backrest (Side shift)

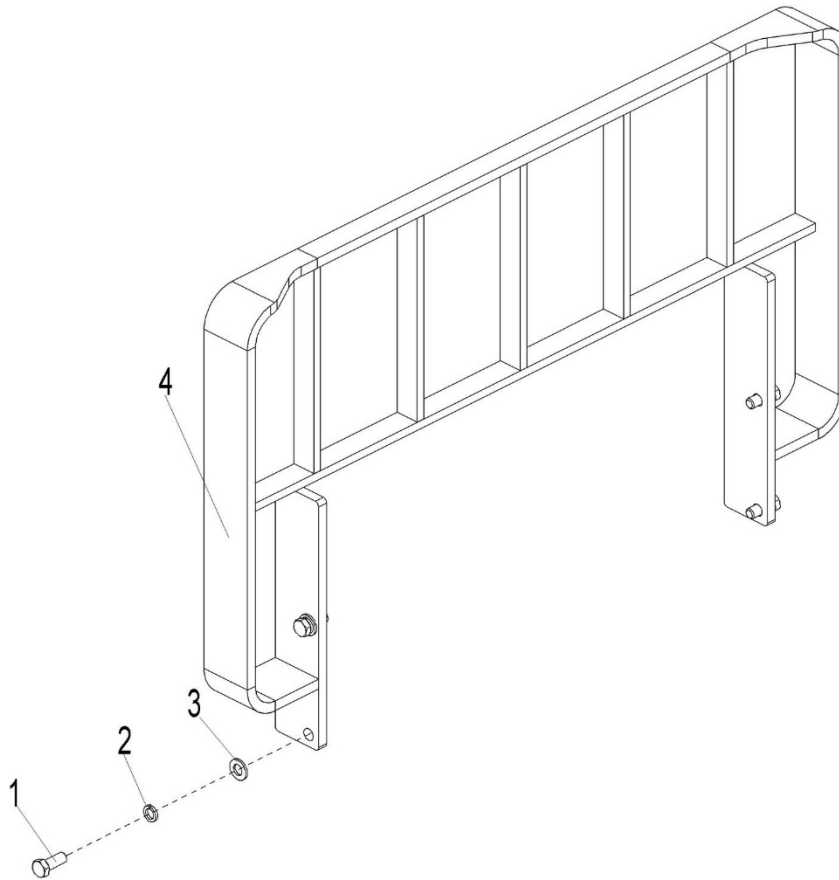


Fig. 41 Load backrest (Side shift)

No.	Art No.	Description	Qty.	Note
1	910100300050	Bolt	4	M12x30
2	910400500008	Spring washer	4	12
3	910400100008	Flat washer	4	12
4	216540510001	Load backrest welding	1	

Easy worn parts list

No.	Art No.	Description	Qty.	Fig. / position	Note
1	534721520024	Damping pad	2	Fig. 4/27	Chassis assembly
2	910700500002	Bearing	2	Fig. 8/5	Side roller components
3	940500100002	Bushing	4	Fig. 8/13	
4	910700200019	Bearing	4	Fig. 8/19	
5	940300300018	Roller	2	Fig. 8/20	
6	534798520004	Dust ring	1	Fig. 26/2	
7	534798520005	Seal ring	1	Fig. 26/3	
8	534798520006	Sealing	1	Fig. 26/4	
9	534798520007	Support ring	1	Fig. 26/5	
10	910800100093	O ring	1	Fig. 26/7	
11	910800900010	Combination washer	1	Fig. 26/8	
12	533298520004	Support ring	1	Fig. 26/12	
13	534798510000	Sealing kits	1	Fig. 26/13	
14	534798520042	Dust ring	1	Fig. 27/2	Three-stage mast middle cylinder components (full free lift)
15	534798520064	Seal ring	1	Fig. 27/4	
16	534498520021	O ring	1	Fig. 27/6	
17	534798520067	Support ring	1	Fig. 27/8	
18	910800900010	Combination washer	1	Fig. 27/9	
19	534798520072	Support ring	1	Fig. 27/13	
20	534798510001	Sealing kits	1	Fig. 27/14	
21	910800400002	Dust ring	1	Fig. 28/1	Three-stage mast outer cylinder components (standard lift)
22	535098520016	Support ring	1	Fig. 28/3	
23	910800100050	O ring	1	Fig. 28/9	
24	535098520029	Support ring	1	Fig. 28/10	
25	535398520005	Seal ring	1	Fig. 28/11	
26	534798510004	Sealing kits	1	Fig. 28/12	
27	534798520027	Dust ring	1	Fig. 29/1	Two-stage mast outer cylinder components (full free lift)
28	534798520028	Seal ring	1	Fig. 29/2	
29	534798520029	Sealing	1	Fig. 29/3	
30	534798520030	Support ring	1	Fig. 29/4	
31	910800100093	O ring	1	Fig. 29/6	
32	910800900010	Combination washer	1	Fig. 29/10	
33	533298520004	Support ring	1	Fig. 29/13	

34	534798510002	Sealing kits	1	Fig. 29/14	
35	534798520042	Dust ring	1	Fig. 30/2	Two-stage mast middle cylinder components (full free lift)
36	534798520064	Seal ring	1	Fig. 30/4	
37	534498520021	O ring	1	Fig. 30/6	
38	534798520067	Support ring	1	Fig. 30/8	
39	910800900010	Combination washer	1	Fig. 30/9	
40	534798520072	Support ring	1	Fig. 30/13	
41	534798510003	Sealing kits	1	Fig. 30/14	
42	910800400002	Dust ring	1	Fig. 31/1	
43	535398520002	Seal ring	1	Fig. 31/2	
44	535098520017	Sealing	1	Fig. 31/3	
45	535398520003	Support ring	1	Fig. 31/4	
46	910800100093	O ring	1	Fig. 31/6	
47	910800900010	Combination washer	1	Fig. 31/10	
48	533298520004	Support ring	1	Fig. 31/12	
49	534798510005	Sealing kits	1	Fig. 31/13	Driving system assembly
50	921800200006	Potentiometer	1	Fig. 32/20	
51	940500200001	Bushing	1	Fig. 32/25	Load roller assembly
52	910700200019	Bearing	4	Fig. 34/5	
53	940300300009	Roller	2	Fig. 34/6	
54	940500200003	Bushing	2	Fig. 34/7	
55	532998510001	Wheel set kits	4	Fig. 34/8	
56	505633510002	Proximity switch	1	Fig. 35/7	Tiller control assembly
57	940400100011	Air spring	1	Fig. 35/10	
58	502311020009	Sealing bushing $\Phi 26$	1	Fig. 35/12	
59	940500200005	Bushing	2	Fig. 35/13	
60	534833510003	Magnetic switch	1	Fig. 38/5	Electrical components
61	920200300001	Micro switch	1	Fig. 38/11	
62	920100200002	Fuse	2	Fig. 39/12	Electrical controller components (COMBIACX)
63	920100100013	Fuse	1	Fig. 39/25	