

NOBLELIFT

Premium Extra Long Pallet Jacks

Model: ACL44

Parts List



WHY CHOOSE BETWEEN PRICE AND QUALITY IF YOU CAN HAVE BOTH

HANDLE BAR

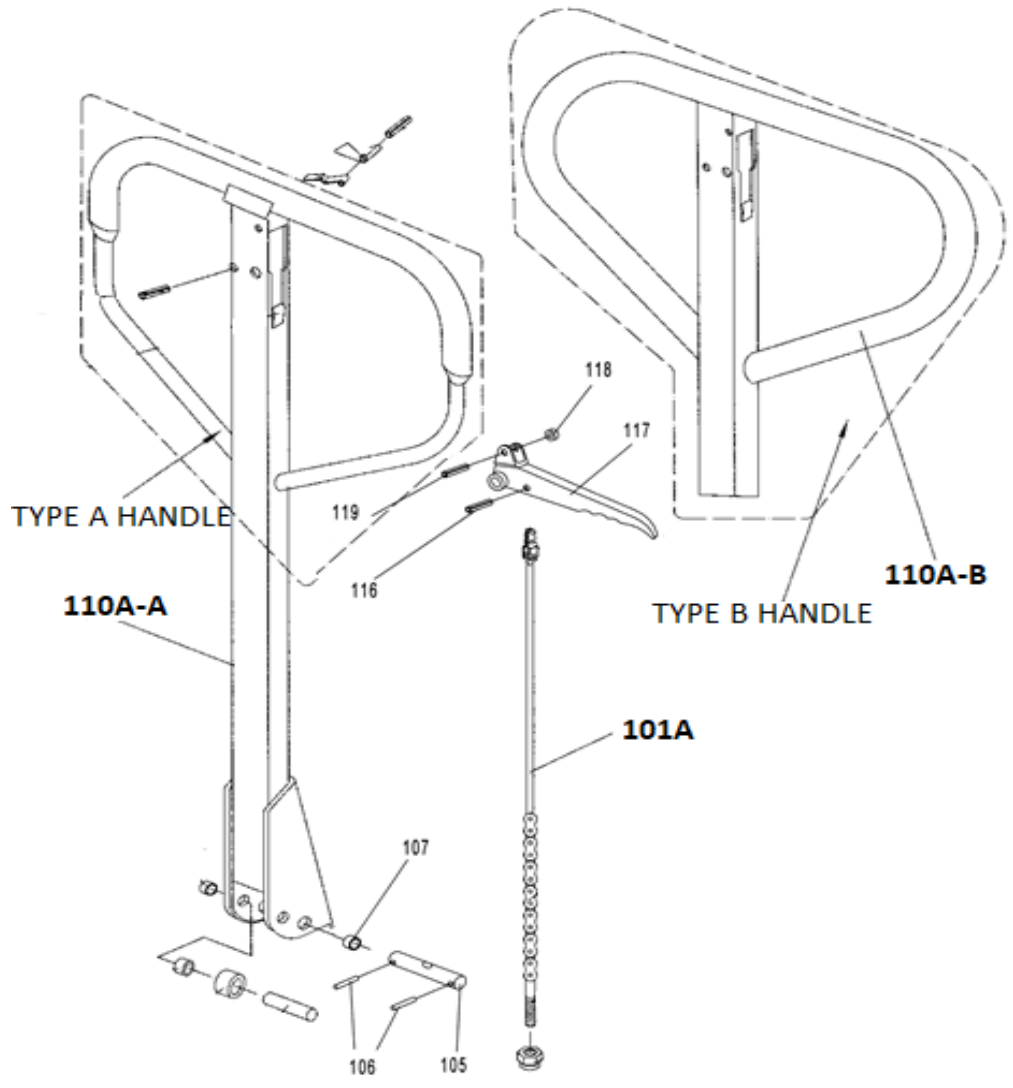


Image No.	Part No.	Description
101A	AC-101A	Release Rod Assy
105	AC-105	Axle (with hole)
106	AC-106	Spring Pin
107	AC-107	Bushing
110A-A	AC-110A-A	TYPE-A Handle Bar Assy
110A-B	AC-110A-B	TYPE-B Handle Bar Assy
116	AC-116	Spring Pin
117	AC-117	Control Lever
118	AC-118	Roller
119	AC-119	Spring Pin

FRAME

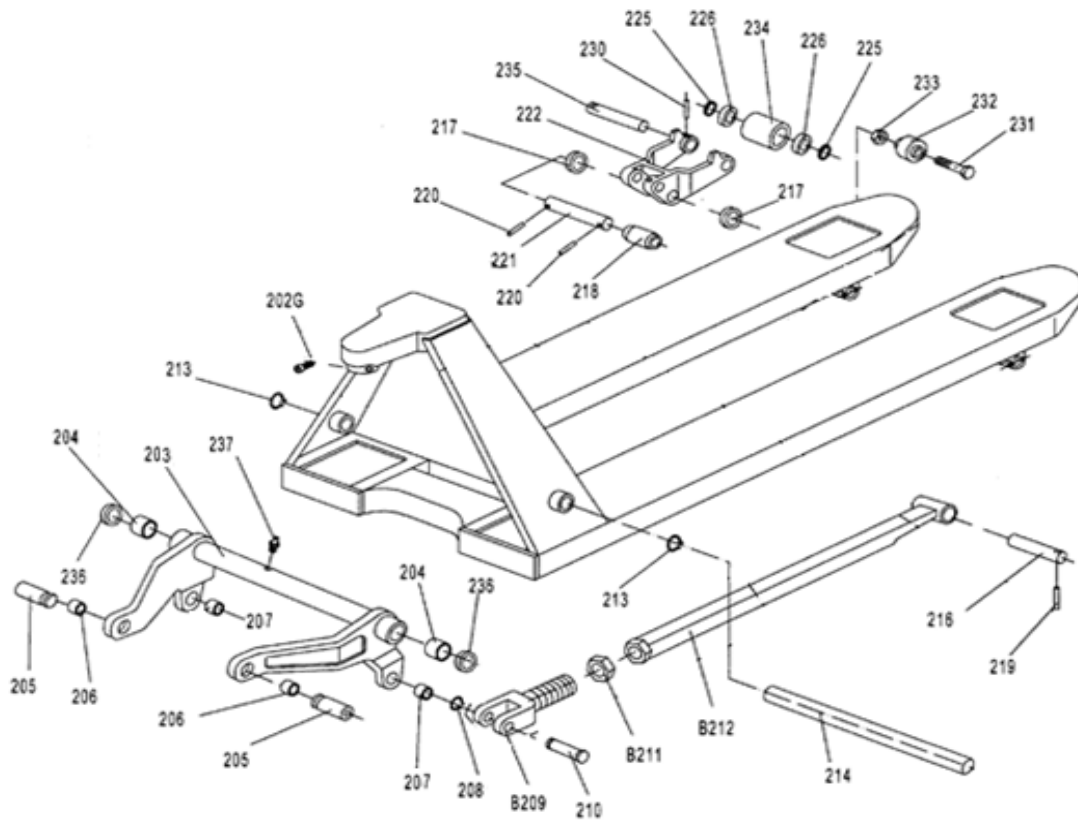


Image No.	Part No.	Description
202G	AC-202G	Screw
203	AC-203-21	Rocker Arm for 21" wide jack
	AC-203-27	Rocker Arm for 27" wide jack
204	AC-204	Sleeve
205	AC-205	Pin
206	AC-206	Bushing
207	AC-207	Bushing
208	AC-208	Retaining Ring
B209	AC-B209	Joint
210	AC-210	Pin
B211	AC-B211	Nut
B212	AC-B212-60	Pushing Rod for 60" long jack
	AC-B212-72	Pushing Rod for 72" long jack
	AC-B212-80	Pushing Rod for 80" long jack
	AC-B212-98	Pushing Rod for 98" long jack
	AC-B212-118	Pushing Rod for 118" long jack
213	AC-213	Retaining Ring
214	AC-214-21	Rocker Arm for 21" wide jack
	AC-214-27	Rocker Arm for 27" wide jack
216	AC-216	Push Rod Pin
217	AC-217	Intermediate Bushing

Image No.	Part No.	Description
218	AC-218	Exit Roller
219	AC-219	Elastic Pin
220	AC-220	Elastic Pin
221	AC-221	Load Wheel Hanger Shaft
222	AC-222	Load Wheel Hanger
225	AC-225	Washer
226	AC-226	Bearing
230	AC-230	Elastic Pin
231	AC-231	Bolt
232	AC-232	Entry Roller
233	AC-233	Locking Nut
234	AC-234-P	Load Wheel-Polyurethane
	AC-234-N	Load Wheel-Nylon
	AC-234-S	Load Wheel-Steel
234A	AC-234A-P	Load Wheel Assy-Poly
	AC-234A-N	Load Wheel Assy-Nylon
	AC-234A-S	Load Wheel Assy-Steel
235	AC-235	Load Wheel Shaft
236	AC-236	Sleeve
237	AC-237	Grease valve

WHY CHOOSE BETWEEN PRICE AND QUALITY IF YOU CAN HAVE BOTH

HYDRAULIC PUMP

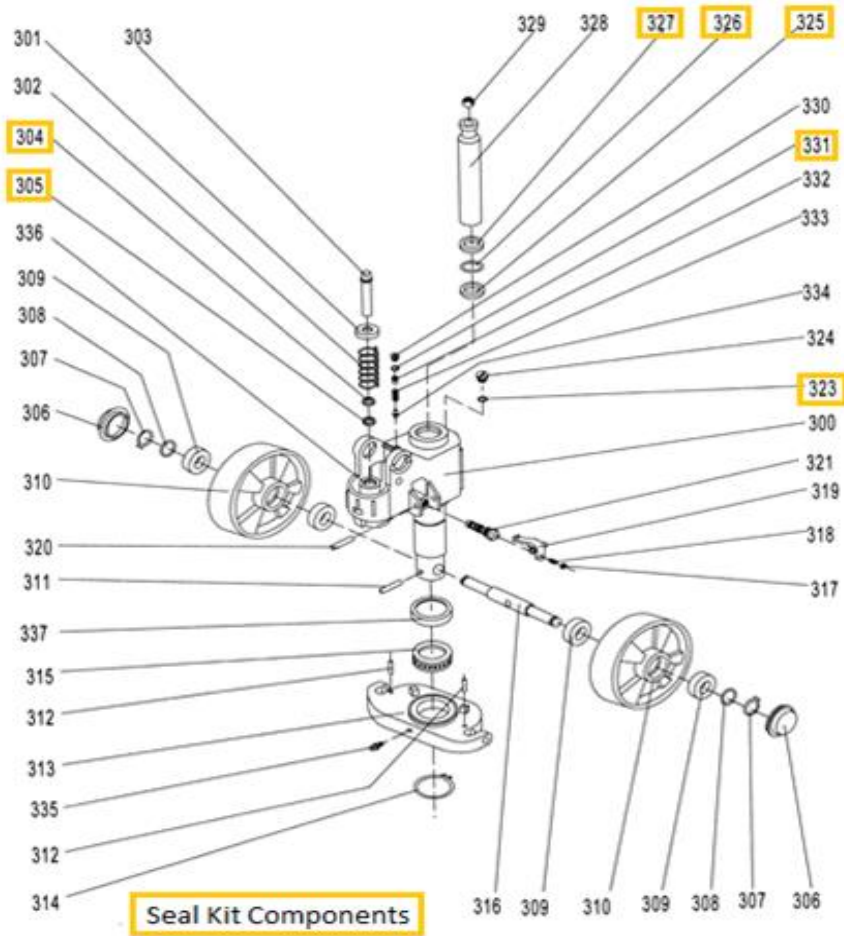


Image No.	Part No.	Description
300	AC300-55	Pump Assy - 5500 lbs cap
	AC300-66	Pump Assy - 6600 lbs cap
301	AC-301	Spring Cap
302	AC-302	Spring
303	AC-303	Pump Piston
306	AC-306	Dust Cover
307	AC-307	Locking Ring
308	AC-308	Washer
309	AC-309	Bearing
310	AC-310-P	Steering Wheel - Poly
	AC-310-N	Steering Wheel - Nylon
	AC-310-S	Steering Wheel - Steel
310A	AC-310A-P	Steering Wheel Assy - Poly
	AC-310A-N	Steering Wheel Assy - Nylon
	AC-310A-S	Steering Wheel Assy - Steel
311	AC-311	Pin
312	AC-312	Pin
313	AC-313	Base

Image No.	Part No.	Description
314	AC-314	Locking Ring
315	AC-315	Bearing
316	AC-316	Shaft for Steering Wheel
317	AC-317	Nut
318	AC-318	Screw
319	AC-319	Foot Pedal
320	AC-320	Elastic Pin
321	AC-321	Valve Cartridge
324	AC-324	Valve Bolt
328	AC-328	Lift Piston
329	AC-329	Steel Ball
330	AC-330	Plug
332	AC-332	Valve Seat
333	AC-333	Spring
334	AC-334	Spindle
337	AC-337	Cover for Bearing
400	AC-400	Seal kit

WHY CHOOSE BETWEEN PRICE AND QUALITY IF YOU CAN HAVE BOTH